



Origo™ Vac Cart

Plug and play portable weld fume extraction unit

Origo™ Vac Carts are mobile fume extraction units for light/medium welding and extraction applications. They provide welders with a sound, safe and efficient welding environment whilst welding. Available in two versions, with or without light, these portable units are simple and easy to use.

Both versions are supplied complete with 3m extraction arms. The integrated spotlight, cart optimises the user-friendly design.

The 3m-extraction arm on both units have a diameter of 160mm and an extra large filter area of 35m² which equates to longer filter life.

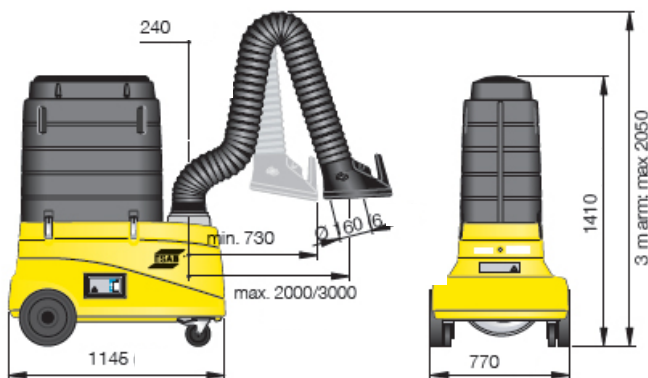


Key Features

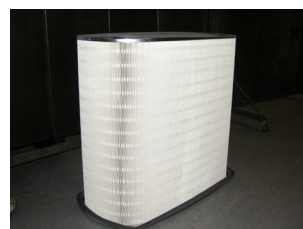
- 35 m2 extra large filter for longer life (up to a year)
- Lightweight and easily portable
- Large back wheels and lockable front swivel wheels – Outstanding mobility and safety
- True airflow measured in the hood with the 3m arm in a 45 degree angle.
- Easy to change filter – Can be replaced in minutes
- Easy to operate – Just plug in (1ph), turn on and go
- Filter provides 99% efficiency for welding fumes
- 6m power cable for increased mobility

The Origo™ Vac cart efficiently captures all particles in the welding fume :

- | | | | |
|-----------|---|------------|---|
| Chromium | ✓ | Aluminium | ✓ |
| Manganese | ✓ | Beryllium | ✓ |
| Copper | ✓ | Lead | ✓ |
| Zinc | ✓ | Iron | ✓ |
| | | And more.. | ✓ |



mm
Horizontally swivelling arm



Replacement filter



Simple operation on/off switch

Technical Data*

Max airflow m3/h at hood	1050
Power kW	0.75
Arm length/width	3m/160mm
Frequency Hz	50
Filter Area M2	35
Fan capacity	3000 m3/h
Phase	1
Weight kg	73

* Applies to all units

Ordering Information

Origo™ Vac Cart w/o light 230V (EU)	0700 003 034
Origo™ Vac Cart with light 230V (EU)	0700 003 036
Origo™ Vac Cart w/o light 230V (UK)	0700 003 227
Origo™ Vac Cart w/o light 110V (UK)	0700 003 228
Origo™ Vac Cart with light 230V (UK)	0700 003 035

Replacement Filter

Replacement filter	0700 003 220
--------------------	--------------

Optional Extras

HEPA Filter H13, 7.5m2 high efficiency final filter, class H13	0700 003 219
Spark protection, for mounting in the hood	0700 003 217

Quality protection for the professional welder

As health and safety standards improve year on year so does ESAB's commitment to providing a product portfolio capable of meeting the ever-increasing demands of the markets we serve. In addition to fume extraction units ESAB can offer protection for the welder - from disposable masks to respiratory equipment. ESAB have a comprehensive range of Personal Protection equipment, covering everything from head to toe, for both welding and cutting and general engineering applications.

For further information visit our website: www.esab.com

Products and solutions - Additional fume extraction solutions

Portable and Mobile Filter Systems



CarryVac

- Small, lightweight, portable extraction unit
- To be connected to a welding torch or an extraction nozzle
- Automatic start/stop function when welding



Origo™ Vac C10 Unit

- For light- medium welding applications
- Cleanable long life filter keeps operating costs low
- Extraction arm swivels 360 degrees
- Lockable wheels for portability and movement

Wall Mounted Systems



Origo™ Vac Fan Series

- A range of fans from 0.75kW to 2.2kW
- Highly efficient eco-friendly fan wheel
- Available for wall mounting or with floor stand



Origo™ Vac Wall Mounted Filter

- Simple and quick installation – few parts
- Filtration efficiency is 99%
- Can be fitted with various Origo™ Vac arms



Origo™ Vac Original Arm

- All round arm for medium welding applications
- Required airflow 700-1000 m3/h
- 160mm hose



Origo™ Vac MD Arm

- Sturdy arm for medium to heavy applications
- Required airflow 900-1300 m3/h
- 160mm hose



Origo™ Vac HD Arm

- For tough welding and metal working applications
- Required airflow 1000-1900 m3/h
- 200mm hose
- Metal hood

ESAB AB
Box 8004, SE-402 77 Göteborg, Sweden
Phone: +46 31 50 90 00 Fax +46 31 50 93 90
E-mail: info@esab.se
www.esab.se

