

## Tech Master HF-14 Series

4.5 Purity Single Stage High Flow Brass Barstock Piston Regulator



The **Tech Master HF-14** is a high pressure high flow regulator with excellent performance.

The **Tech Master HF-14** regulator is the solution to the pressure and flow control requirements for heavy duty cutting, thermic lancing and light duty scarfing.

The rear entry configuration of the **Tech Master HF-14** means that it is suited to connection to either individual cylinders or cylinder bundles.

The **HF-14** is additionally suited to low inlet pressure and pipeline applications.

### ★ FEATURES

- Single Stage
- Finned body to reduce refrigerant effect
- Pressure adjustment bar for precise outlet pressure setting
- High capacity relief valve for maximum protection
- Rear inlet for ease of connection to individual cylinders and bundles
- Integral inlet filter
- G3/8" BSP Male outlet
- 1" BSP female inlet connection for pipelines
- 1" BSP x 5/8 BSP adaptor for cylinder connection
- Pressure gauges to ISO 5171

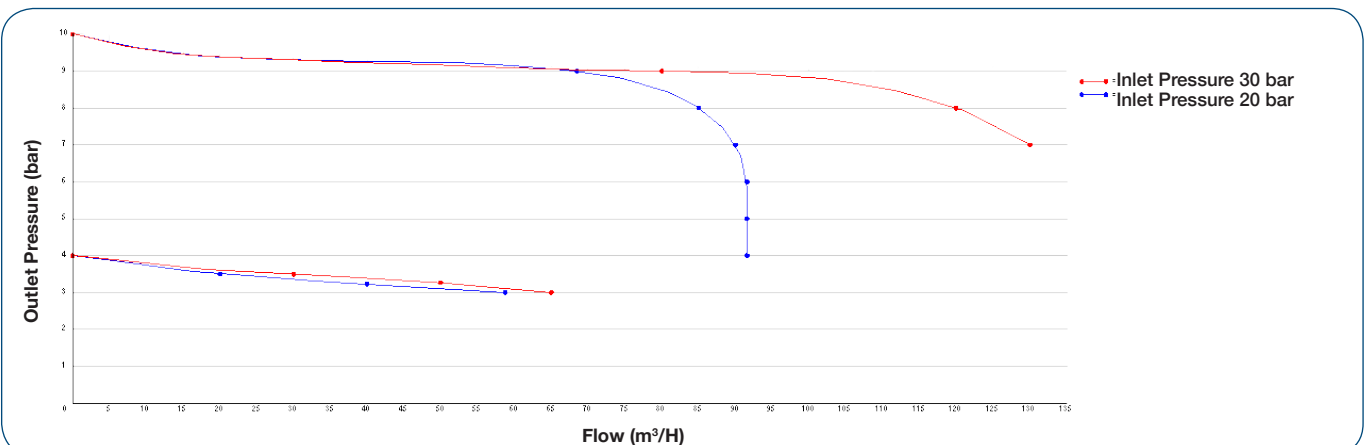
### 📄 MATERIAL

■ Body	Brass Barstock
■ Bonnet	Brass Barstock
■ Piston	Brass
■ Filter	Bronze
■ Valve Seat	Nylon® / PCTFE

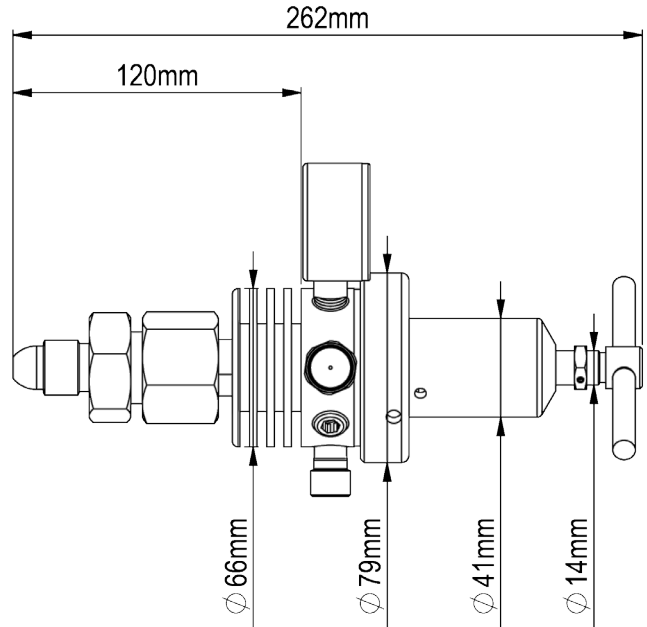
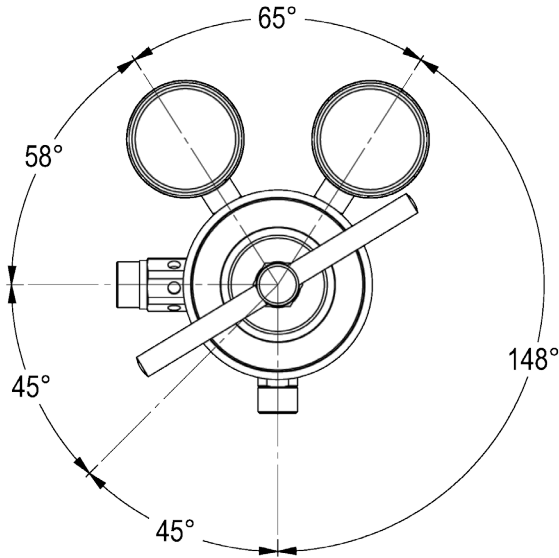
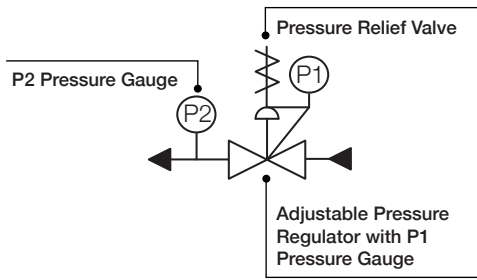
### 👍 SPECIFICATION

■ Maximum Inlet Pressure	230 bar (3335 PSI)
■ Outlet Pressure Range	0 to 14 bar (203 PSI)
■ Maximum Flow	240 m <sup>3</sup> /h @ 15°C in AIR at 230 bar inlet 80 m <sup>3</sup> /h @ 15°C in Air at 30 bar inlet
■ Temperature Range	-20° C to +60° C (-4° F to +140° F)
■ Weight	3.8 kg (8.4 lb)

### ✓ FLOW PERFORMANCE



**DRAWINGS**



**MODEL NO. SELECTOR GUIDE**

Sort Ref	Part. No.	Inlet Pressure	Outlet Pressure	Inlet Connection	Outlet Connection	Gas
76	RAN18001	230 bar [3335 PSI]	14 bar [200]	BSP / BS341 No.3 / 5/8 R/H	G3/8 BSP R/H Male	Oxygen
77	RAN18002	230 bar [3335 PSI]	14 bar [200]	BSP / BS341 No.3 / 5/8 R/H	G3/8 BSP R/H Male	Inert Gas
78	RAN18003	230 bar [3335 PSI]	14 bar [200]	BSP / BS341 No.4 / 5/8 L/H	G3/8 BSP L/H Male	Fuel Gas