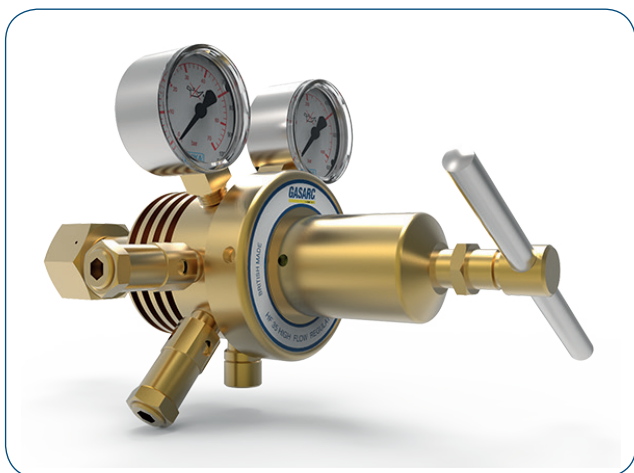


## Tech Master HF-35 Series

4.5 Purity Single Stage High Flow Brass Piston Regulator



The **Tech Master HF-35** is a high pressure high flow regulator with excellent performance.

The **Tech Master HF-35** regulator is the solution to the pressure and flow control requirements for many specialist requirements such as laser gas control and heavy duty cutting applications.

The rear entry configuration of the **Tech Master HF-35** means that it is suited to connection to either individual cylinders or cylinder bundles.

The HF14 is additionally suited to low inlet pressure and pipeline applications.

### ★ FEATURES

- Single Stage
- Finned body to reduce refrigerant effect
- Pressure adjustment bar for precise outlet pressure setting
- Two safety relief valves for maximum protection
- Rear inlet for ease of connection to individual cylinders and bundles
- Integral inlet filter
- BS341 NEVOC Inlet connection
- NEVOC x 5/8 BSP Adapter for 230 bar cylinder connection
- 3/8" BSP outlet port
- Pressure gauges to ISO 5171

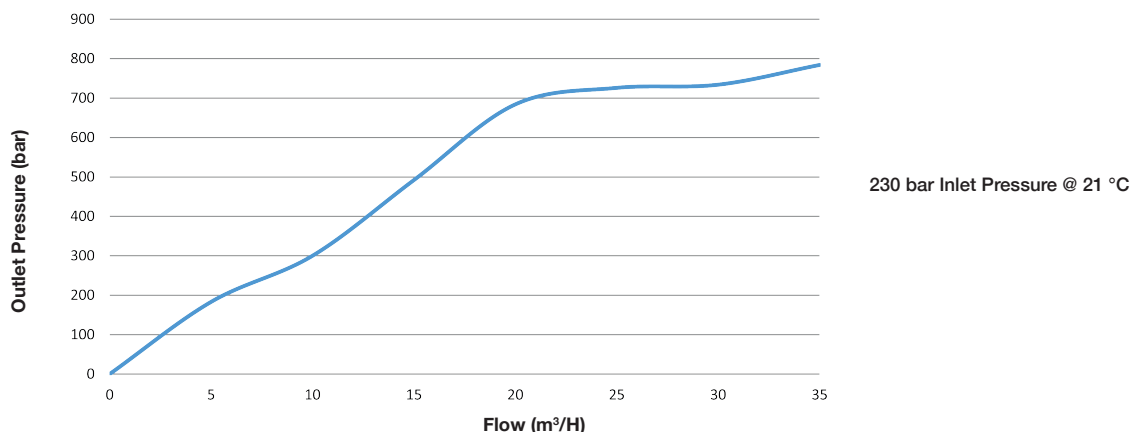
### 📖 MATERIAL

■ Body	Brass
■ Piston	Brass
■ Bonnet	Brass Barstock
■ Filter	Bronze
■ Valve Seat	Nylon® / PCTFE

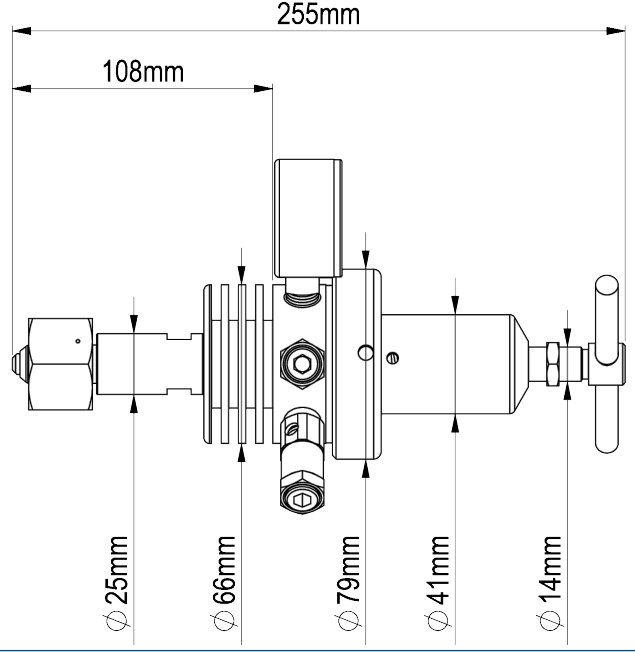
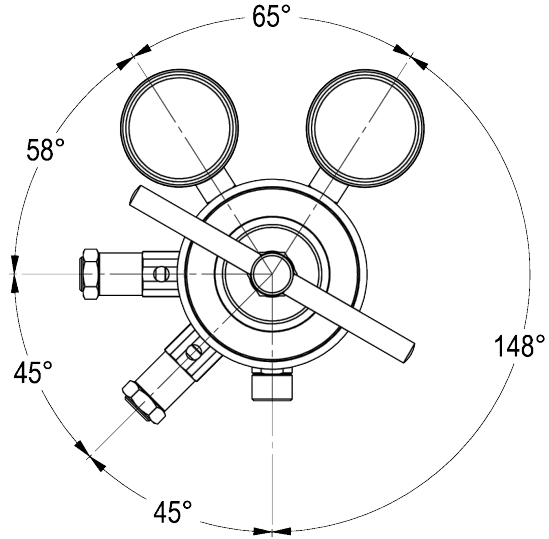
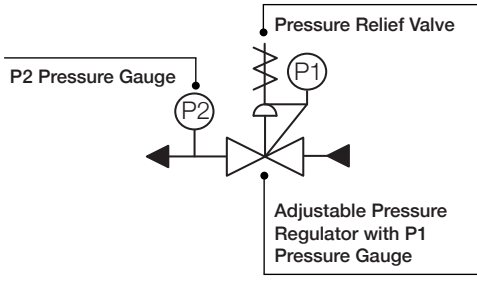
### 👍 SPECIFICATION

■ Maximum Inlet Pressure	300 bar (4350 PSI) 230 bar (3335 PSI) for Oxygen
■ Outlet Pressure Range	0 to 35 bar (507 PSI)
■ Maximum Flow	450 m <sup>3</sup> /h @ 15°C in AIR at 300 bar inlet
■ Temperature Range	-20° C to +60° C (-4° F to +140° F)
■ Weight	3.8 kg (8.4 lb)

### ✓ FLOW PERFORMANCE



**DRAWINGS**



**MODEL NO. SELECTOR GUIDE**

Sort Ref	Part. No.	Inlet Pressure	Outlet Pressure	Inlet Connection	Outlet Connection	Gas
79	RAN34002	230 bar [3335 PSI]	35 bar [510]	BSP / BS341 No.3 / 5/8 R/H	G3/8 BSP R/H Male	Oxygen
80	RAN34003	300 bar [3335 PSI]	35 bar [510]	BSP / BS341 No.3 / 5/8 R/H	G3/8 BSP R/H Male	Inert Gas