

ESAB FE300

Cylinder regulator for industrial gases

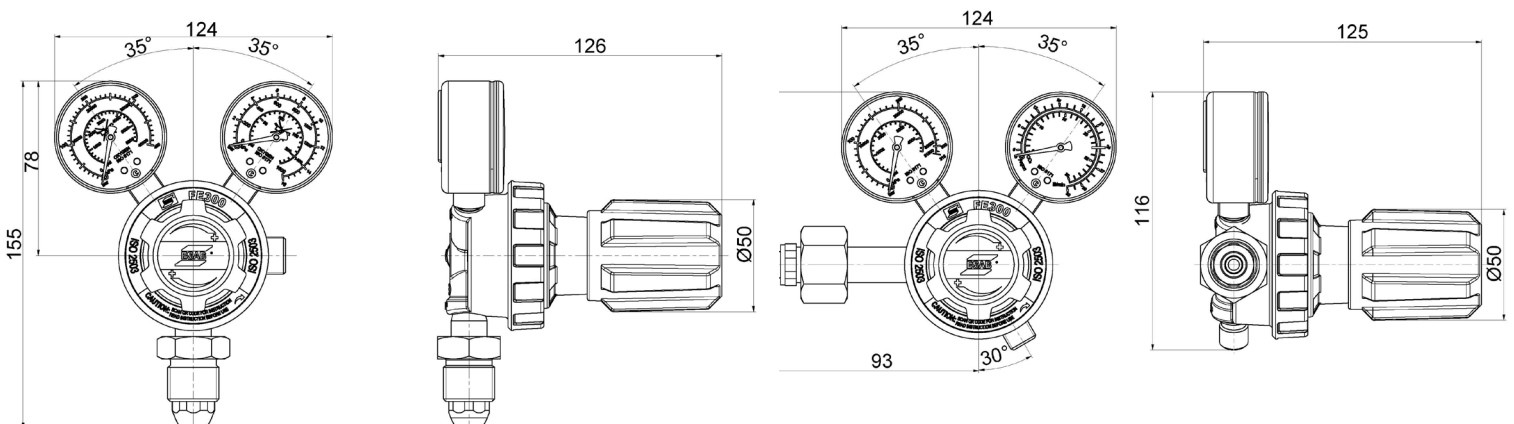


- High-performance regulator following all common technical gas applications needs.
- Safety focused design following ISO 2503.
- Durable construction saving costs of spares and replacements
- Encapsulated regulating technology for precise and stable control.
- Easy handling for the operator by ergonomic arrangement.
- Side and Bottom entry design variants fit on all types of cylinder valves.
- Three scale pressure gauges acc. to ISO 5171 with high contrast pointer for better gas pressure clarity
- Gas colour coded handwheel for simple identification.
- Made in Europe.

Industry or process

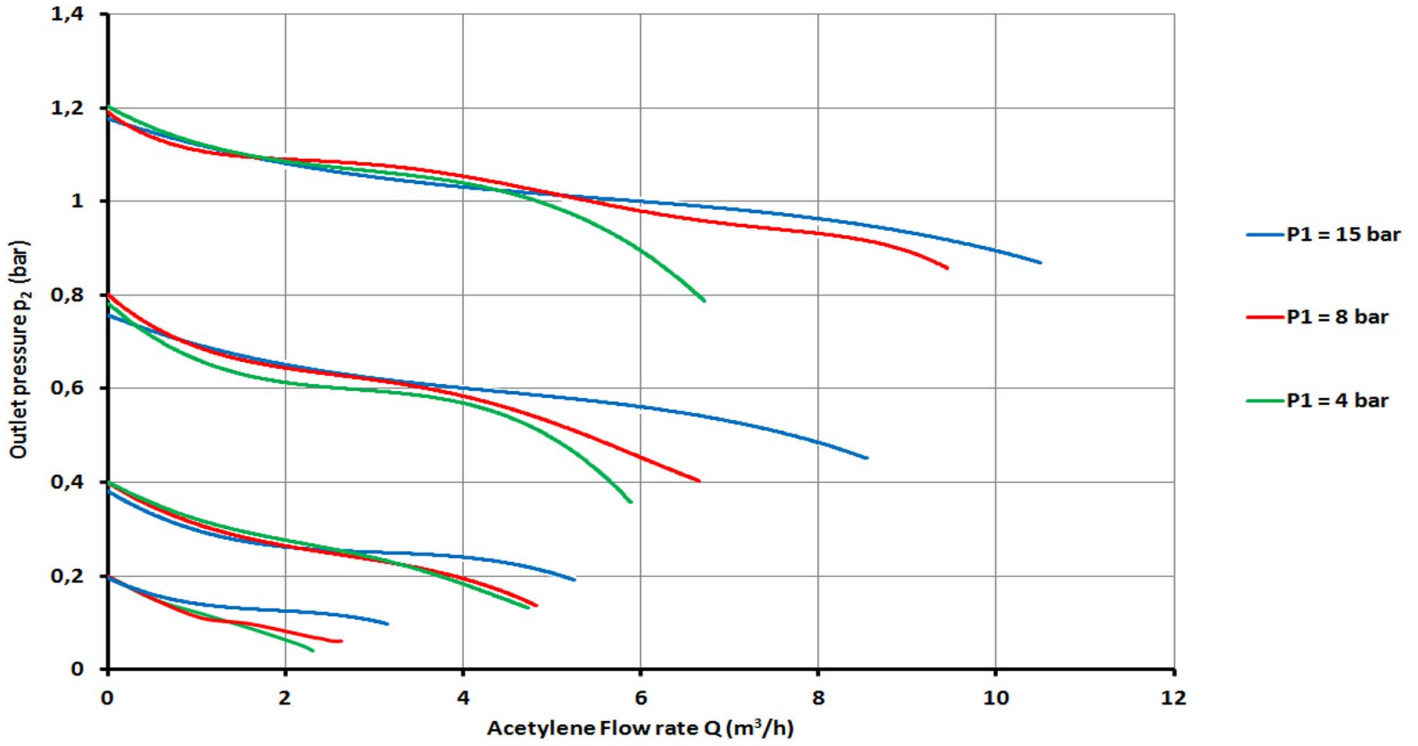
- Oxy-fuel Cutting
- Oxy-fuel Welding
- Arcwelding

Dimensions

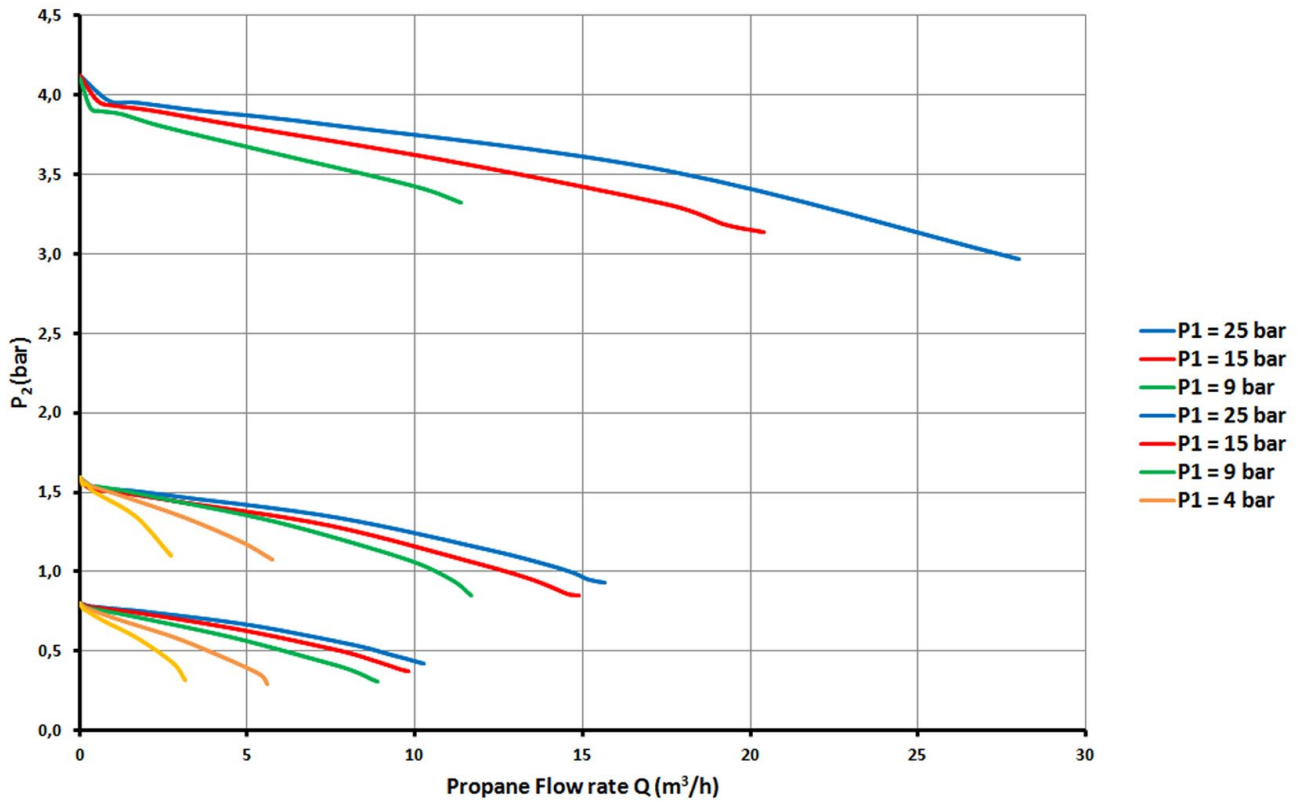


ESAB FE300

Acetylene 25/1,5 bar

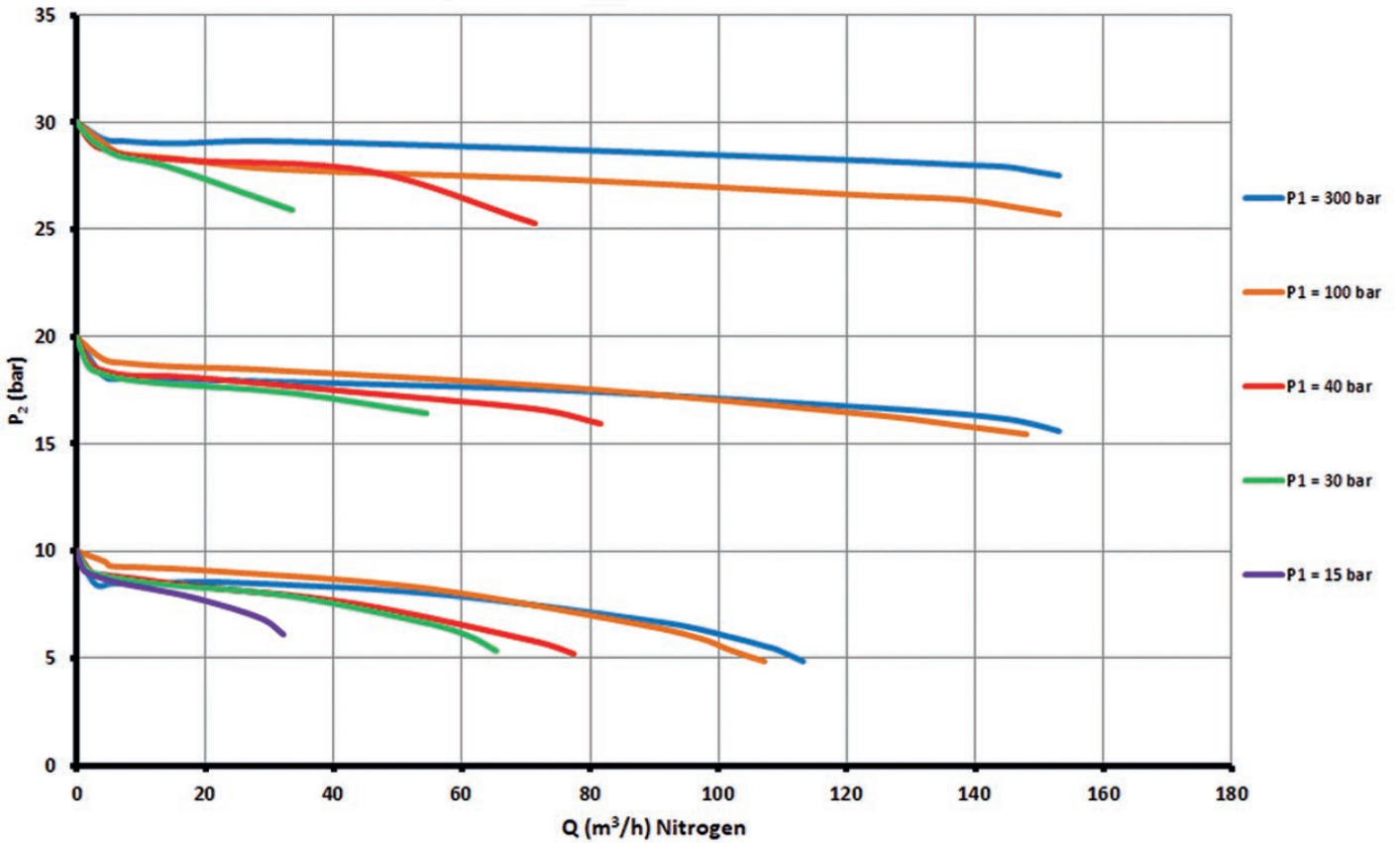


Propane 25/4 bar

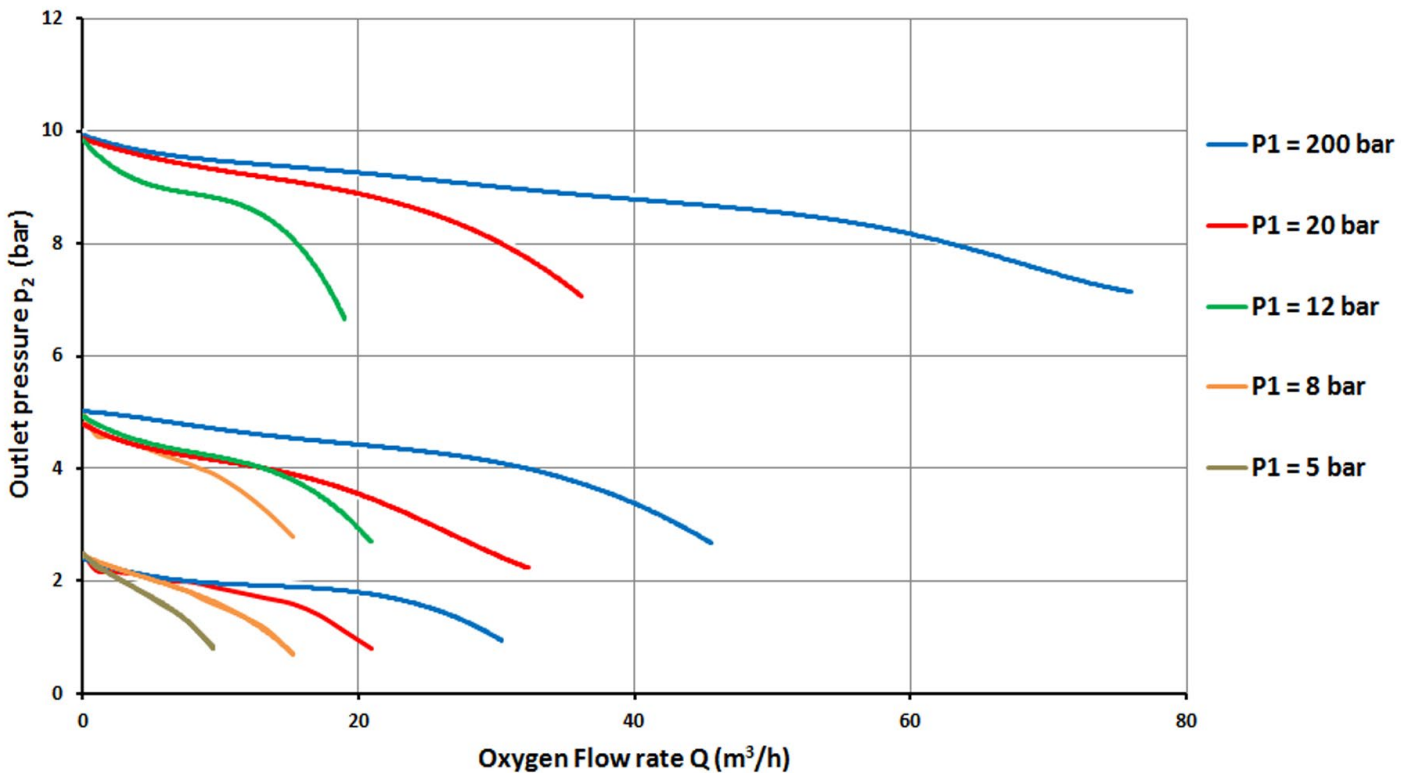


ESAB FE300

Nitrogen 300/30 bar



Oxygen 200/10 bar



ESAB FE300

Technical Data					
Gas	O ₂ , N ₂ , H ₂ , He	Ar, Ar/CO ₂	CO ₂	Acetylene	Propane
Body	Brass forged				
Bonnet	Zn/Al alloy Die Cast				
Stems, nuts and fittings	Brass				
Diaphragm	EPDM				
Seat Sealing	PA			CR	
Inlet/ Outlet connection	Gas specific connection				
Maximal inlet pressure	200 or 300 bar		200 bar		25 bar
Outlet pressure/ flow range	0-10 bar	0-16 l/min 0-30 l/min 0-40 l/min		1,5 bar	4 bar
Operating Temperature	-20°C to + 60°C				
Weight Approx.	Approx. according to gas variant 1,1 kg				

Ordering Information							
Part Number	Gas	Inlet position	Inlet Pressure	Outlet Pressure	Inlet Connection	Outlet Connection	Type
FS0700017210	ACETYLENE	side	25 bar	1,5 bar	G5/8" LH BSP	G3/8" LH BSP	
FS0700017211	ACETYLENE	bottom	25 bar	1,5 bar	G5/8" LH BSP	G3/8" LH BSP	
FS0700017212	ACETYLENE	bottom	25 bar	1,5 bar	G5/8" LH BSP	G3/8" LH BSP	no gauge
FS0700017221	AR/CO ₂	bottom	300 bar	0 - 40 l/min	G5/8" BSP	G3/8" BSP	
FS0700017222	AR/CO ₂	side	300 bar	0 - 40 l/min	G5/8" BSP	G3/8" BSP	
FS0700017223	AR/CO ₂	bottom	300 bar	4,5 bar	G5/8" BSP	G3/8" BSP	LP gauge only
FS0700017460	AR/CO ₂	side	300 bar	4,5 bar	G5/8" BSP	G3/8" BSP	LP gauge only
FS0700018107	AR/CO ₂	side	300 bar	0 - 40 l/min	NEVOC	G3/8" BSP	
FS0700018106	INERT	side	300 bar	10 bar	G5/8" BSP	G3/8" BSP	
FS0700017204	OXYGEN	side	300 bar	10 bar	G5/8" BSP	G3/8" BSP	
FS0700017205	OXYGEN	bottom	300 bar	10 bar	G5/8" BSP	G3/8" BSP	
FS0700017206	OXYGEN	bottom	300 bar	10 bar	G5/8" BSP	G3/8" BSP	LP gauge only
FS0700017459	OXYGEN	bottom	300 bar	4 bar	G5/8" BSP	G3/8" BSP	
FS0700017461	OXYGEN	side	300 bar	4 bar	G5/8" BSP	G3/8" BSP	
FS0700017458	PROPANE	side	25 bar	4 bar	G5/8" LH BSP	G3/8" LH BSP	single gauge
FS0700017213	PROPANE	side	25 bar	4 bar	G5/8" LH BSP	G3/8" LH BSP	no gauge

ESAB FE300

Ordering Information

FLOWMETERS				
Part Number	Gas	Inlet Pressure	Inlet Connection	Outlet Connection
FS0701300021	AR/CO ₂	16 l/min	G3/8"	G3/8"
FS0701300022	AR/CO ₂	30 l/min	G3/8"	G3/8"



ESAB / esab.com

