



PERSONAL PROTECTION EQUIPMENT FROM ESAB PRODUCT CATALOGUE

SAVAGE
A-40

2022 EDITION



As fabricators and fabricators' friends, we do some pretty epic work. And none of it would be possible without each and every one of us – the welders,

SKYSCRAPERS. the distributors,
MUSCLE CARS. the engineers,
WIND TURBINES. the tools of
OIL RIGS. the trade.

Across the welding and fabrication world, the skills we have and the everyday work we do varies greatly, but our commitment to that work and to how fabrication moves the world forward is a constant that keeps us all reaching for more.

Together, **we shape the future** of welding and cutting.





KEEP UP WITH OUR NEWEST SOLUTIONS

We highlight all of our new and recent product launches in our **Launch Magazine**.

Learn about ESAB solutions engineered to deliver multi-voltage flexibility, superior multi-process arc control, lower consumables cost, user-friendly operation and more.

Visit esab.com/launchmagazine to subscribe today.



Visit our website for more information on:

- WELDING AUTOMATION
- CUTTING AUTOMATION
- MIG TORCH CONSUMABLES
- FILLER METALS
- MANUAL PLASMA
- PPE

FIND A DISTRIBUTOR

Looking for a product or ready to purchase?

Visit esab.com to find an ESAB distributor in your area.

STAY CONNECTED



esab.com



facebook.com/esabglobal



[@esabweldingcutting](https://instagram.com/esabweldingcutting)



twitter.com/esabglobal



linkedin.com/company/esab



youtube.com/esabweb

// PPE & ACCESSORIES







MISSION READY. FOR THE ACCOMPLISHED.

The best welders deserve the best equipment. And when it comes to choosing a helmet, Sentinel is it – with ergonomic HALO™ headgear, external grind mode access, a hypervisible control panel, and an ultra-clear true-color lens. To learn more about the incredible Sentinel helmet and find a distributor near you, go to esab.com/sentinel.

SENTINEL™

CONTENTS

WELDING HELMETS

ADF Helmets

Sentinel™ A50	7
Sentinel™ A50 Air	7
Savage A40	9
Savage A40 Air	9
A30	11
A20	11
A10	11
G50	12
G50 Air	12
PAPR Systems	15

Passive Helmets

G30	12
G30 Ar	12
F20	14
F20 Air	14
F10	14

GLOVES

Curved MIG (GMAW) Gloves	21
Heavy-Duty Basic MIG Gloves	21
Heavy-Duty Regular MIG Gloves	21
Heavy-Duty Black MIG Gloves	22
Heavy-Duty EXL MIG Gloves	22
Curved TIG (GTAW) Gloves	23
Professional TIG Gloves	23
Supersoft TIG Gloves	24
Soft TIG Gloves	24
Basic TIG Gloves	24
Heavy-Duty Aluminium Gloves	25
Alumised Hand Shield	25

PROTECTIVE CLOTHING

Leather Workwear

FR Welding Jacket	26
FR Welding Trousers	26
Leather Welding Jacket	27
Leather Welding Apron	27
Leather Gaiters	28
Leather Welders Sleeve	28

FR Workwear

Proban Hood	29
Balaclava	29
Welders Cap	29
Bandana	29

EYE PROTECTION

Warrior™ Spectacles	30
Eco Spectacles	30
Visitor Spectacles	31
Grinding Visor	31

Sentinel™ A50

Revolutionary high performance automatic welding helmet



WELDING HELMETS



- Revolutionary shell design - high impact resistance nylon
- Halo™ headgear - ergonomic, infinitely-adjustable 5 point head gear provides extreme comfort and balance. Low-profile design, central pivot point allows for maximum head clearance while helmet is in the up position
- 100 x 60 mm viewing area 1/1/1/2 –5-13 ADF
- Color touch screen control panel with 8 separate memory settings and externally activated shade 4 Grind Mode button
- Hard hat adapter option available for use with ESAB hard hat
- Respiratory option with ESAB PAPR

Specifications				
Cartridge Dimensions	Viewing Area	Lens Shade	Sensors	Classification
133 x 114 x 9 mm	100 x 60 mm	DIN 5-8/9-13	4	1/1/1/2
Switch Time	Power Supply	Standards		Weight
1/25,000 s from light to dark	Solar cell plus battery replaceable. (2 x CR2450 lithium). Alerts when low battery.	DIN Plus, CE, EN 175, EN 379, EN 166, ANSI Z87.1, CSA Z94.3, AS/NZS 1338.1		640 g 830 g (Air)

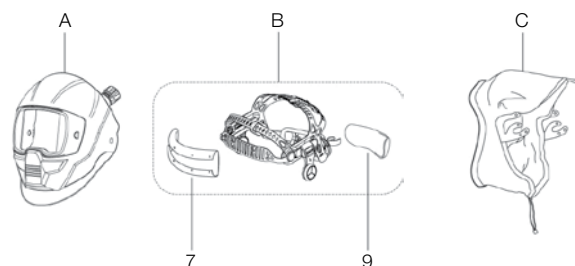
Ordering Information	
Sentinel A50	0700000800
Sentinel A50 for Air	0700000801
Sentinel A50 for Air Kit	0700000799
PAPR with Standard Hose 850 mm	0700002300
PAPR with Long Hose 1000 mm	0700002301

Options & Accessories		
1	Front Cover Lens Clear HD	0700000823
1	Front Cover Lens Amber HD	0700000824
1	Front Cover Lens Clear	0700000802
1	Front Cover Lens Amber	0700000803
2	Sentinel Helmet Shell	0700000804
3	Auto-Darkening Filter (excl. battery)	0700000806
5	Inside Cover Lens	0700000808
6	Headgear Assembly (incl. sweat bands)	0700000809
7	Front Sweat Band	0700000810
8	Headgear	0700000811
9	Rear Sweat Band	0700000812
10	Magnifying Lens +1.0 Diopter	0367951001
10	Magnifying Lens +1.5 Diopter	0367951002
10	Magnifying Lens +2.0 Diopter	0367951003
10	Magnifying Lens +2.5 Diopter	0367951004
x	Sentinel Bandana	0700000821
x	Sentinel Protective Hood	0700000828

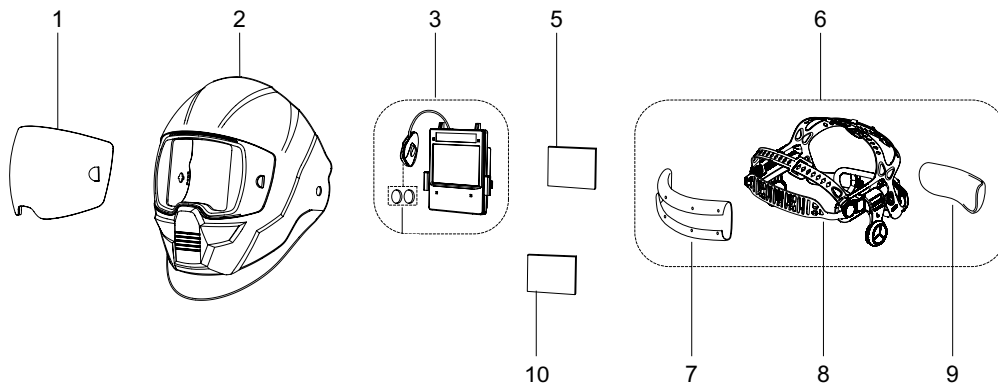
Air versions include air duct and face seal. Kit version also include Kit bag, PAPR 850 mm, internal/external lenses and filters. For additional information on the PAPR unit please see separate page.



Options & Accessories (Sentinel A50 Air Only)		
A	Sentinel A50 Air shell w. air duct	0700000813
B	Headgear Assembly, Air (incl. sweat bands)	0700000805
C	Face Seal, Air	0700000814
x	Kit Bag (empty)	0700002315



Sentinel™ A50



WELDING HELMETS

Additional Accessories



HD Front Cover Lenses



Magnifying Diopter Lens



Protective Hood



Kit Bag (empty)

Savage A40

Professional automatic welding helmet



WELDING HELMETS



- External shade adjustment between DIN 9 and DIN 13 and an optical class of 1/1/1/2. Delay and sensitivity can be adjusted from the inside
- Four arc sensors for higher auto darkening response
- Wider coverage and a larger viewing area of 100 x 50 mm that offers a wide field of vision and increased spatial awareness
- Sensitivity control is an adaptable feature useful when welding low amp TIG for better reaction to darker arc light
- Delay control enabling the welder to set how long the lens stays dark after the welding arc stops. Short delay helps get the job done faster during tack welding, whilst longer delay is useful for high amperage welding
- Externally activated Grind button. Shade 4 Grind Mode
- True Color allowing for a brighter view and enhanced colour definition
- Respiratory option with ESAB PAPR

Specifications				
Cartridge Dimensions	Viewing Area	Lens Shade	Sensors	Classification
110 x 90 x 7.8 mm	100 x 50 mm	DIN 4, 9-13	4	1/1/1/2
Switch Time	Power Supply	Standards		Weight
0.1-0.9 s from dark to light 0.07 ms at 23°C	Solar cell plus battery replaceable. (1 x CR2450 lithium). Alerts when low battery.	CE EN379, EN175, EN12941, ANSI Z87.1 , CSA Z94.3, & AS/NZS 1338.1		500 g 700 g (Air)

Ordering Information	
Savage A40, Black	0700000490
Savage A40, Yellow	0700000491
Savage A40 for Air, Black	0700500400
PAPR with Standard Hose 850 mm	0700002300
PAPR with Long Hose 1000 mm	0700002301

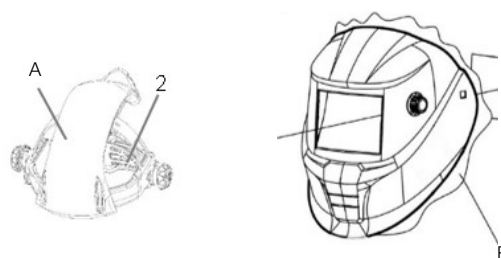
Air versions include air duct and face seal. For additional information on the PAPR unit please see separate page.



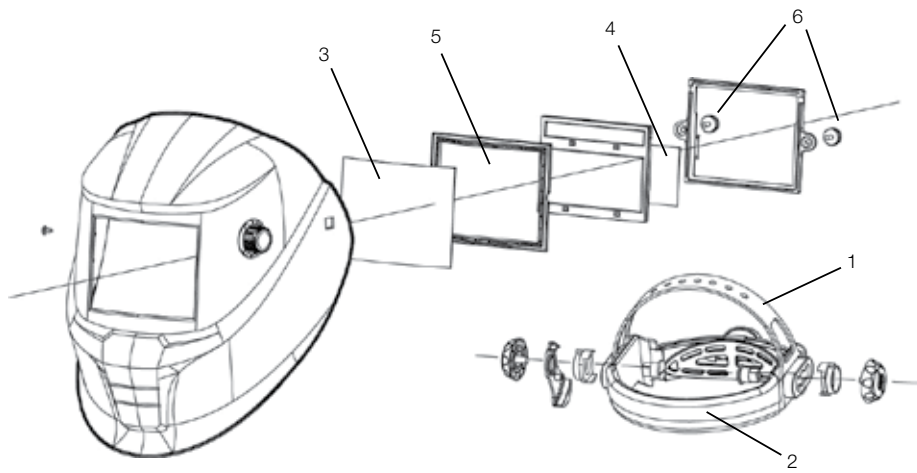
Savage A40 for Air

Options & Accessories		
1	Head Gear	0700000483
2	Sweat Band	0700000414
3	Front Cover Lens	0700000010
4	Inside Cover Lens	0700000482
5	ADF Cradle	0700000418
6	Lens Retainer with Screw	0700000419
	Magnifying Lens +1.0 Diopter	0700000084
	Magnifying Lens +1.5 Diopter	0700000085
	Magnifying Lens +2.0 Diopter	0700000086
	Magnifying Lens +2.5 Diopter	0700000087
	Leather Chest Protection	0700000062
	Leather Head/Neck Protection	0700000063
	Proban Hood	0000593269

Options & Accessories (Savage A40 Air Only)		
A	Headgear Assembly, Air	0700000805
B	Face Seal, Air	0700000814
x	Kit Bag (empty)	0700002315



Savage A40



WELDING
HELMETS



A30/A20/A10

Lightweight automatic welding helmets

WELDING
HELMETS



- Streamlined lightweight shell with lightweight comfort headgear
- Wide viewing area
- Sensitivity & delay setting
- 2 years warranty
- Dioptre lens options
- Grind mode (A30)

Specifications

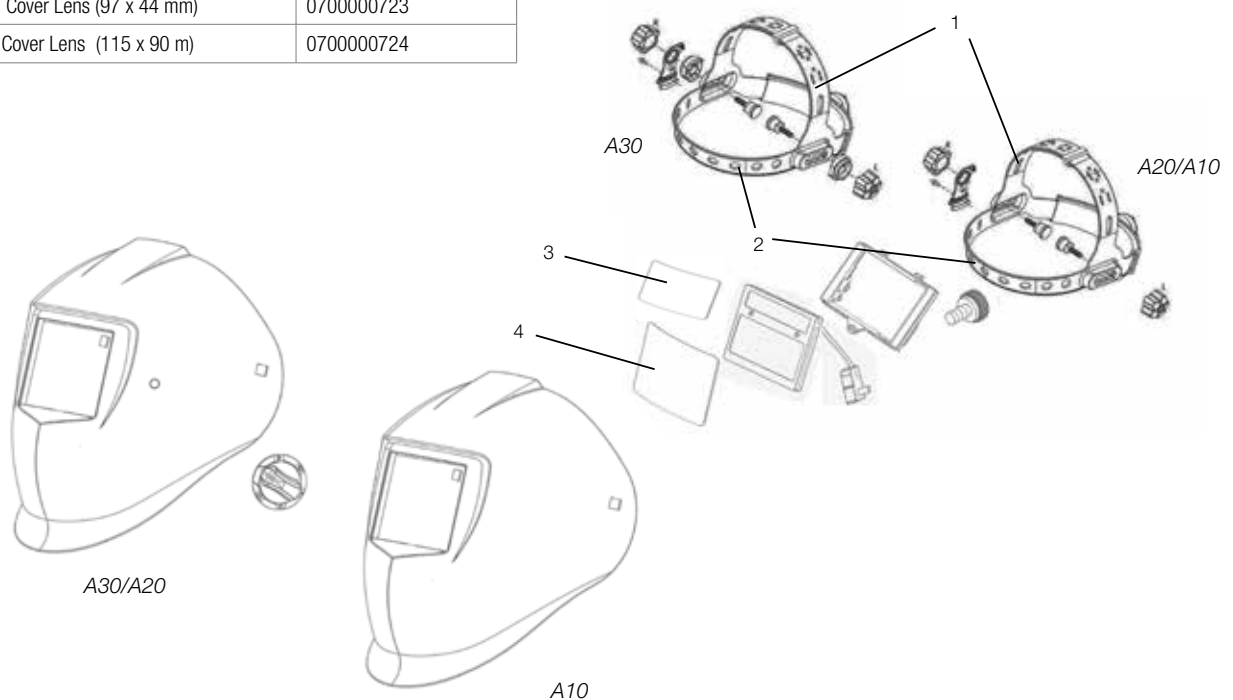
Cartridge Dimensions	Viewing Area	Lens Shade	Sensors	Weight	Classification
110 x 90 mm	100 x 45 mm (A30) 96 x 39 mm (A20) 90 x 35 mm (A10)	DIN 4, 9-13 (A30) DIN 4, 9-13 (A20) DIN 11 (A10)	2	480 g (A30) 470 g (A20) 382 g (A10)	1/1/1/2

Options & Accessories

1	Headgear A30	0700000731
1	Headgear A20/A10	0700000721
2	Sweat Band	0700000722
3	Inside Cover Lens A10	0700000711
3	Inside Cover Lens (97 x 44 mm)	0700000723
4	Front Cover Lens (115 x 90 m)	0700000724

Ordering Information

A30	0700000730
A20	0700000720
A10	0700000710



G50/G30

Flip-front welding and grinding helmets



- Lightweight shell
- Automatic / fix shade options
- Large inner grinding visor (clear)
- Comfort headgear
- Respiratory option with ESAB PAPR

G30

- Changeable inner and outer lens
- Large inner grinding visor (multiple options)



G50 AIR



G30 AIR

Specifications G50		
Viewing Area	Lens Shade	Classification
98 x 47 mm	9-13	1/1/1/2
Standards	Power Supply	Weight
CE, ANSI, CSA, ASNZS, EN12941 Class TH3 P R SL	Solar cell, no battery	730 g 890 g (Air)

Ordering Information	
G50, 9-13	0700000438
G30, DIN 10	0700000430
G30, DIN 11	0700000431

Specifications G30		
Viewing Area	Lens Shade Inner	Lens Shade Outer
155 x 170 mm	Clear, DIN 2, DIN 3, DIN 5	DIN 5, DIN 8, DIN 10
Standards	Weight	
CE, ANSI, CSA, ASNZS, EN12941 Class TH3 P R SL	570 g 730 g (Air)	

Ordering Information (Air versions)	
G50 Air, 9-13	0700000441
G30 Air, DIN 10	0700000433
G30 Air, DIN 11	0700000434
PAPR with Standard Hose 850 mm	0700002300
PAPR with Long Hose 1000 mm	0700002301

Air versions include air duct and face seal. For additional information on the PAPR unit please see separate page.

G50/G40/G30 Spares

WELDING
HELMETS

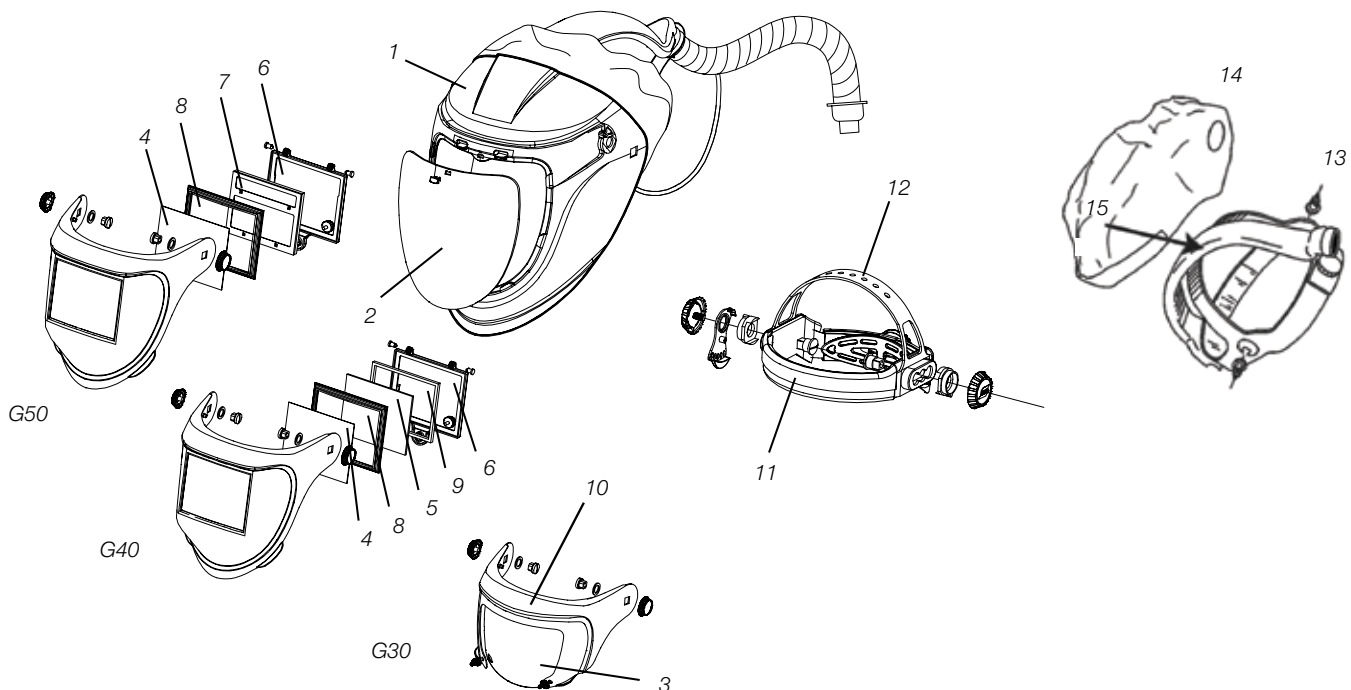
Options & Accessories

1	Main Shell for G50/G40/G30	0700000515
2	Large Inner Visor Clear for G50/G40/G30	0700000501
2	Large Inner Visor DIN 2 for G30	0700000502
2	Large Inner Visor DIN 3 for G30	0700000503
2	Large Inner Visor DIN 5 for G30	0700000504
3	Outer Flip Visor DIN 5 for G30	0700000505
3	Outer Flip visor DIN 8 for G30	0700000506
3	Outer Flip visor DIN 10 for G30	0700000507
4	Front Cover Lens for G50/G40	0700000517
5	Filter Lens 60 x 110 Shade 10 Pk 25 (for G40)	0160292002
5	Filter Lens 90 x 110 Shade 10 Pk 25 (for G40)	0760031632
6	Lens Retainer for G50/G40	0700000518
7	ADF Cassette for G50	0700000523
8	Cradle 90 x 110 for G50/G40	0700000519
8	Cradle 60 x 110 for G40	0700000520
9	Gasket for Mineral Glass 60 x 110 & 90 x 110 (for G40)	0700000521
10	Flip Up Frame Including Screws for G30	0700000508
11	Sweat Band	0700000414
12	Headgear	0700000415
x	Kit Bag (empty)	0367951003

Options & Accessories (Air versions only)

13	Headgear for G50/G40/G30 and F20	0700000420
14	Head and Face Seal for G50/G40/G30 and F20	0700000512
15	Sweat Band Air for G50/G40/G30 and F20	0700000274

Air versions include air duct and face seal. For additional information on the PAPR unit please see separate page.



F20/F10

Flip-front welding helmets



- Multiple flip front options
- Lightweight shell with comfort headgear
- Changeable DIN lenses
- Inside viewing visor
- Respiratory option with ESAB PAPR (F20)

Specifications F20

Viewing Area	Lens Shade
60 x 110 mm / 90 x 110 mm	DIN 10
Standards	Weight
CE, ANSI, CSA, ASNZS, EN12941 Class TH2 P R S	560 g (60 x 110) 580 g (90 x 110) 720 g (60 x 110 Air) 740 g (90 x 110 Air)

Specifications F10

Viewing Area	Lens Shade
60 x 110 mm / 90 x 110 mm / 51 x 108 mm	DIN 10
Standards	Weight
CE, ANSI, CSA, ASNZS	484 g

Ordering Information

F20, 60 x 110	0700000426
F20, 90 x 110	0700000427
F20 Air, 60 x 110	0700000428
F20 Air, 90 x 110	0700000429
F10 (Eco Arc II), 60 x 110, kit of 20	0700000760
F10 (Eco Arc II) 60 x 110, 1 pcs	0700000761
F10 (Eco Arc II), 90 x 110, kit of 20	0700000762
F10 (Eco Arc II) 51 x 108, kit of 20	0700000763
PAPR with Standard Hose 850 mm	0700002300
PAPR with Long Hose 1000 mm	0700002301

Air versions include air duct and face seal. For additional information on the PAPR unit please see separate page.

Kit helmets are delivered unassembled in boxes with 20 x helmet shells, head harnesses, flip-ups, welding lens DIN 10, protective glass in plastic and instruction manuals for each item.

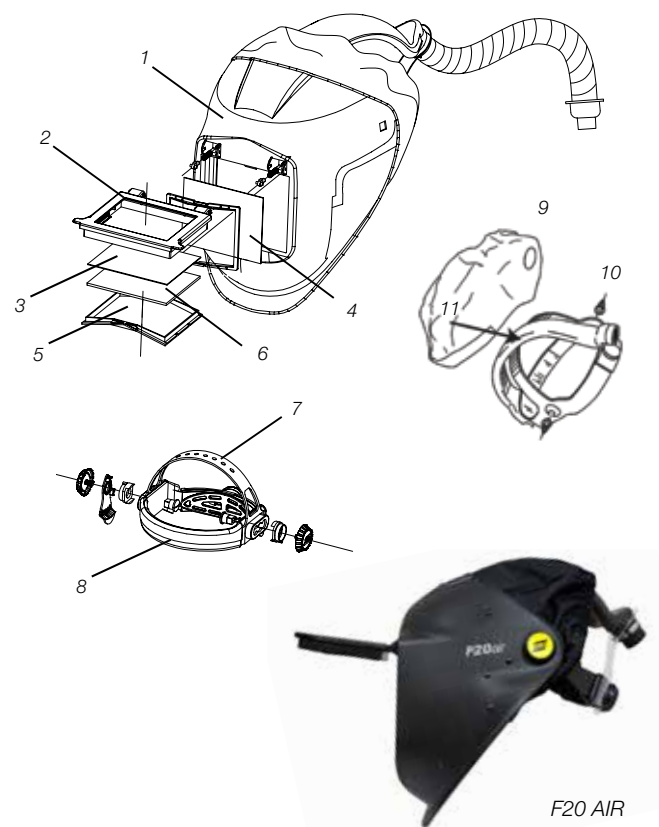
Individually packed helmets are delivered complete in plastic bags with cases.

Options & Accessories

1	Main Shell for F20	0700000509
2	Visor Flip 60 x 110 for F20	0700000510
2	Visor Flip 90 x 110 for F20	0700000511
3	Plastic Cover Lens 60 x 110	0160307001
3	Plastic Cover Lens 90 x 110	0160307004
3	Plastic Cover Lens 51 x 108 (for F10 only)	0160307002
4	Inside/Outside Cover Lens 60 x 110, 90 x 110	0700000252
5	Lens Retaining Clip 60 x 110	0700000255
5	Lens Retaining Clip 90 x 110	0700000256
5	Lens Retaining Clip 51 x 108 (for F10 only)	0700000257
6	Filter Lens 60 x 110 Shade 10 Pk 25	0160292002
6	Filter Lens 90 x 110 Shade 10 Pk 25	0760031632
7	Headgear	0700000415
8	Sweat Band F20	0700000414
8	Sweat Band F10	0700000244
x	Leather Chest Protection	0367951001
x	Leather Head/Neck Protection	0367951002
x	Kit Bag (empty)	0367951003

Options & Accessories (Air versions only)

9	Headgear for G50/G40/G30 and F20	0700000420
10	Head and Face Seal for G50/G40/G30 and F20	0700000512
11	Sweat Band Air for G50/G40/G30 and F20	0700000274



ESAB PAPR

Powered Air Purifying Respirator

WELDING
HELMETS



- User adjustable air flow 170/220 l/min
- Li-Ion battery pack (up to 6h duration @ 220 l/min)
- P3 filter and pre-filter
- International intelligent charger (interchangeable pins)
- Audio/visual blocked filter and low battery alarm

Specifications

Air Flow	Battery Time	Filter
170 - 220 l/min	Up to 6 h	P3 filter and pre-filter
Standards	Dimensions	Weight
CE EN12941	185 x 100 x 160 mm	1 kg
Protection Level		
Tested in combination with the following ESAB helmets, EN12941: Sentinel A50 (TH2), Savage A40 (TH2), Warrior Tech (TH3), G50 (TH3), G40 (TH3), G30 (TH3) and F20 (TH2).		

Ordering Information

PAPR with Standard Hose 850 mm	0700002300
PAPR with Long Hose 1000 mm	0700002301

PAPR unit delivered with motor unit, battery, intelligent charger, P3 filter + pre filter, waist belt, hose and proban hose cover.

Options & Accessories

1	Proban Hose Cover 1000 mm	0700002303
1	Proban Hose Cover 850 mm	0700002304
2	Air Hose Standard 850 mm	0700002305
2	Air Hose Long 1000 mm	0700002306
3	Comfort Pad Incl. Waist Belt	0700002307
4	Motor Unit	0700002308
5	P3 filter	0700002309
6	Pre-filter Pk 5	0700002310
7	Intelligent Charger	0700002311
8	Battery	0700002312
8	Battery HD	0700002313
9	Kit Bag (empty)	0700002315
10	Shoulder Harness	0700002316



Adjustable airflow

Battery life indicator



Waist Belt with Comfort Pad

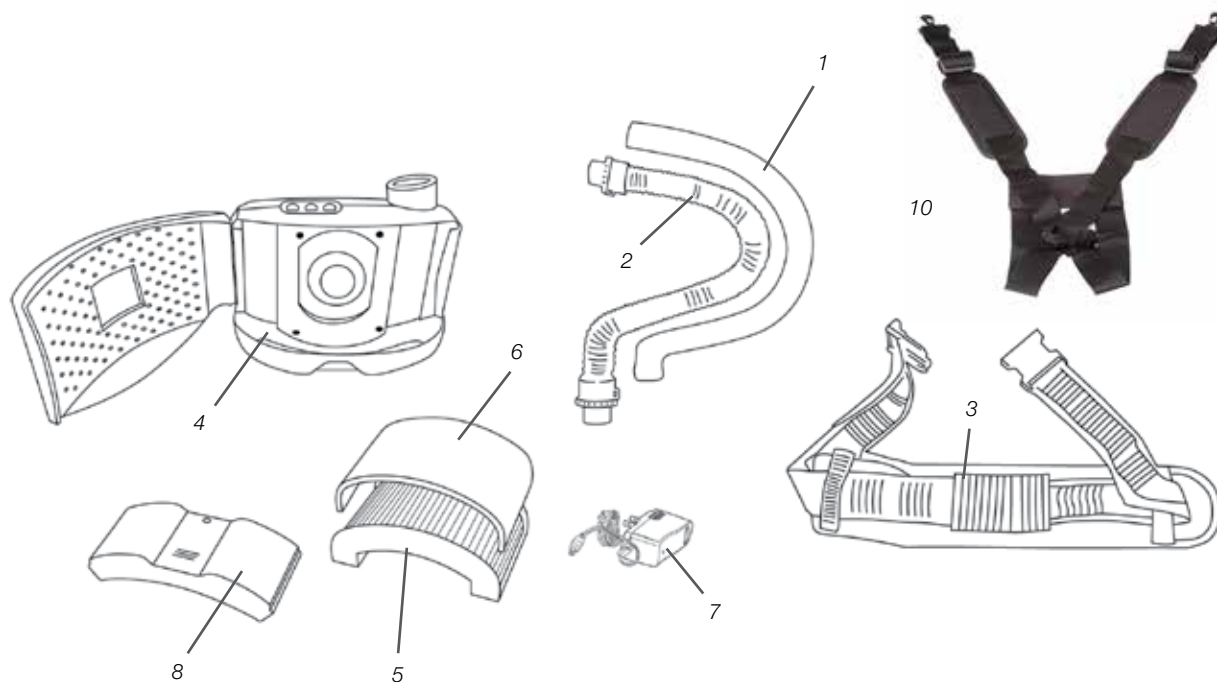


ESAB PAPR in combination with Sentinel A50 Air



Kit Bag (Empty)

ESAB PAPR



WELDING HELMETS

Choice of Filters

Prefilter

The air first passes through the fresh air unit prefilter, which filters larger particles, which extends the life of the main filter and reduces the running cost of the fan.

Prefilter with integrated carbon filter also reduces unwanted odours.



Ordering Information	
Prefilter, pack of 5	0700002023

Standard on delivery.



Ordering Information	
Prefilter with carbon filter, pack of 10	0700002040

Main filter (Particle filter)

ESAB's fresh air fans are always supplied with a main filter of the P3 type, which gives the highest filtration efficiency – 99.8%. The main filter filters out damaging particles in the smoke, both solids and vapour borne. This means that particles containing aluminium, barium, cobalt, chrome, copper, manganese and nickel are caught by the main filter. Particle filter P2 with integrated carbon filter reduces unwanted odours. After passing through the prefilter the remaining dangerous filters are filtered by the main filter. It is recommended that welders who want to minimise unwanted odours use: Prefilter with integrated carbon filter + Particle filter P2 with integrated carbon filter. The main filter consists of a very sensitive filter element that will be damaged if cleaned using compressed air.

ESAB recommends that welders who want to reduce unwanted odours but still want maximum protection from dangerous particles use: Prefilter with integrated carbon filter + Particle filter P3.

Ordering Information	
Particle filter P3, pack of 1	0700002024
Particle filter P2 with carbon filter, pack of 1	0700002041

EPR-X1 PAPR

Powered Air Purifying Respirator

WELDING HELMETS



- User adjustable air flow 170/190/220 l/min
- Li-Ion battery pack (up to 10h duration @ 170 l/min)
- P3 filter and pre-filter
- International intelligent charger (interchangeable pins)
- Audio/visual blocked filter and low battery alarm



Flexible waist belt

Specifications		
Air Flow (Selectable)	Battery Time	Filter
170/190/220 l/min	Up to 10 h	P3 filter and pre-filter with replaceable spark arrestor
Standards	Dimensions	Weight
CE EN12941 TH3 P	210 x 169 x 78 mm	1 kg
Compatibility		
Compatible with all ESAB prepared for air helmets: Sentinel A50; Savage A40; G30/40/50; F20.		



EPR-X1 in combination with Savage A40 Air

Ordering Information	
EPR-X1 PAPR System with expandable hose	0700500900

PAPR unit delivered with motor unit, waist belt, shoulder harness, battery, intelligent charger, P3 filter & pre filter, spark arrestor, air flow tester, hose & proban hose cover and instruction manual.

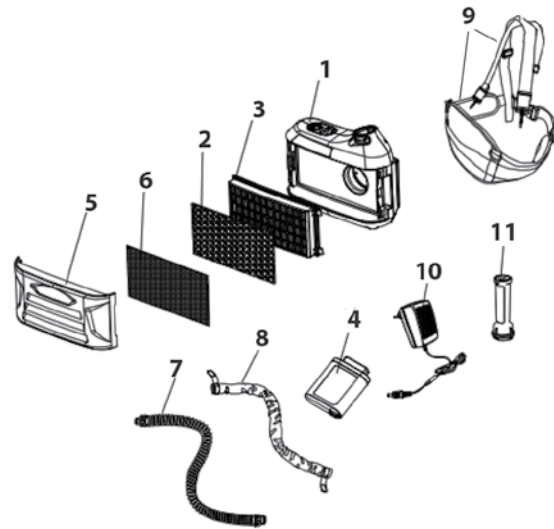


EPR-X1 System

EPR-X1 PAPR

WELDING HELMETS

Options & Accessories		
1	EPR-X1 PAPR Blower Unit	0700500901
2	EPR-X1 PAPR Prefilter	0700500902
3	EPR-X1 PAPR P3 Filter	0700500903
4	EPR-X1 PAPR Battery	0700500904
5	EPR-X1 PAPR Filter Cover	0700500905
6	EPR-X1 PAPR Spark Arrestor	0700500906
7	ESAB Breathing Tube for EPR-X1pen PAPR	0700500907
8	FR Fabric Tube Cover	0700500908
9	Waist Belt and Shoulder Harness	0700500909
10	Universal Battery Charger	0700500910
11	Air Flow Tester	0700002413



Prefilter and spark arrestor

The air first passes through the fresh air unit prefilter, which filters larger particles, which extends the life of the main filter and reduces the running cost of the fan.

Spark arrestor prevents any sparks from entering the filters and damaging the unit. It is recommended to clean the spark arrestor regularly.



Ordering Information	
Prefilter, pack of 1	0700500902

Standard on delivery.



Ordering Information	
Spark Arrestor, pack of 1	0700500906

Standard on delivery.

Main filter (HEPA particle filter)

ESAB's fresh air fans are always supplied with a main filter of the P3 type, which gives the highest HEPA filtration efficiency – 99.8%. The main filter filters out damaging particles in the smoke, both solids and vapour borne. This means that particles containing aluminium, barium, cobalt, chrome, copper, manganese and nickel are caught by the main filter.



Ordering Information	
P3 filter, pack of 1	0700500903

Standard on delivery.

Welding Gloves

Glove EN Standards & Materials

CE labelling – Risk Class – Categorising Personal Protective Equipment (PPE)

EU Directive 89/686/EF

The intention of this directive is to ensure that all PPE sold in Europe corresponds to the relevant EN standards. This will secure a generally identical quality standard throughout Europe. Products that meet the requirements in one or more standards must be branded with the CE logo.

Category 1, Simple Design

These products protect against minimal risks and can only be used where any risk increases gradually and can be easily identified by the user in advance. The CE labelling consists of only the CE mark.

Category 2, Intermediate Design

The products are tested and technically approved by an authorised test institute. The institute also examines the manufacturers technical documentation to establish that the product is produced in accordance with the relevant EN standard. The CE labelling consists of the CE mark, the test institute approval number, year of first time approval, pictograms and test performance.



GLOVES



EN 388:2003 – Protection against mechanical damage

a) Abrasion resistance	1 - 4
b) Blade Cut resistance	1 - 5
c) Tear resistance	1 - 4
d) Puncture resistance	1 - 4



EN 407:2004 – Welding gloves, Thermal resistance

a) Burning behaviour	1 - 4
b) Contact heat	1 - 4
c) Convective heat	1 - 4
d) Small splashes of molten metals	1 - 4
f) Large splashes of molten metals	1 - 4



EN 420 – general requirements for most protective gloves as:

- Product and packaging information and labelling
- Care and maintenance
- Size
- The product itself must present no risk to users (requirements concerning chromium content and pH)
- Storage of the products

Welding Gloves

Glove EN Standards & Materials

Test Criteria achievable	Standard	Minimum performance required		Maximum performance
		A	B	
Abrasion resistance	EN 388	2	1	4
Blade cut resistance	EN 388	1	1	5
Tear resistance	EN 388	2	1	4
Puncture resistance	EN 388	2	1	4
Burning behaviour	EN 407	3	2	4
Contact heat	EN 407	1	1	4
Convective heat	EN 407	2	n/a	4
Small splashes of molten metal	EN 407	3	2	4
Dexterity	EN 420	1	4	5

Gloves Size (Men's)	Circumference (cm)	Hand Length (cm)
Medium (8)	20 - 23	18.5
Large (9)	23 - 25.5	20
X-Large (10)	25.5 - 28	21.5
XX-Large (11)	28 - 31	22.5



GLOVES

Leather quality

Finding the right quality leather to meet the exacting requirements of the welding professional requires experience. ESAB have extensive knowledge and experience with tanning and finishing – important processes that determine the final quality of the leather. It is these processes that give the leather its qualities in relation to strength, softness and flexibility.

The upper skin is called “grain” and the inner skin is called “split” Grain leather is soft, durable, wear resistant and tolerates some water. It can also withstand heat up to 80°C. Split leather is porous and will therefore absorb humidity more easily than grain leather. Its naturally rough surface gives good grip properties. The thickness depends on how the skin is cut and whether it is cut in one or two layers.

Without special treatment, split leather can resist heat up to 100°C.

Cowhide

Used in both grain and split leather, cowhide is extremely versatile, and is a foundation for many glove types. Cowhide provides a great balance of features, particularly related to flame resistance and overall durability. ESAB chooses premium-grade cowhide for use in many of our MIG gloves where fire resistance and durability are most important. Cowhide is also used in combination with other leathers to achieve the best performance where it is needed most. For example, TIG gloves may use goatskin for the hand, but will use split cowhide for the cuff.

Goatskin

Prized for its extreme suppleness and resistance to oils and weather, goatskin is a highly durable material that is very soft. The thin, soft, pliable characteristics of goatskin make it the perfect choice for TIG welding because it offers extreme flexibility with minimal obstruction to touch. ESAB chooses goat and kidskin for TIG glove applications.

All ESAB gloves have a high resistance to heat and offer additional protection against spatter.



Tested against mechanical stress such as abrasion, cut, tear, and puncture.



Tested for thermal performance, such as exposure to an open flame, contact heat, convective heat, radiant heat, and small and large splashes of molten metal.

Curved MIG (GMAW) Gloves



- Ergonomically designed to fit the natural curve of the hand, these MIG gloves are made from heavy and fine-cut leather, and are lined from hand to cuff
- With the curved design, the glove fits the hand perfectly, and also has a flexible wrist area that reduces friction
- With welted seams, Kevlar® stitching, and reinforced thumb, these gloves are ultra strong and offer the highest level of protection

Ordering Information

Size Medium (8)	0700500418
Size Large (9)	0700500420
Size X-Large (19)	0700500421
Size XX-Large (11)	0700500422

Heavy-Duty Basic MIG Gloves



- High quality 1.2/1.3 mm side split cowhide welding glove with wing thumb, Kevlar stitching and fully welted
- Fully lined with FR cotton to the cuff and fleece jersey liner to the palm
- This glove offers durability, longevity and comfort



Ordering Information

Size Large (9)	0700500426
----------------	------------

Heavy-Duty Regular MIG Gloves



- Heavy-duty durable yet flexible welding glove. Made from 1.3 mm side split cowhide which is fully heat resistant and hard wearing
- Features reinforced thumb, fully Kevlar stitched and welted with additional vein patch for added protection
- Fully lined with FR cotton to the cuff and fleece jersey liner to the palm



Ordering Information

Size Large (9)	0700500435
----------------	------------

Heavy-Duty Black MIG Gloves



- A high quality welding glove made of black, strong cow split leather
- High dexterity with Kevlar stitching ensures that the glove can resist hard mechanical stress
- The gloves are also fully welted



Ordering Information

Size Large (9)

0700500429

Heavy-Duty EXL MIG Gloves



- A high quality welding glove made of both cow split and grain leather. The grain leather back offers excellent heat properties while the split leather offers excellent dexterity, durability and comfort
- Features reinforced thumb, fully Kevlar stitched and welted with additional vein patch for added protection
- Fully lined with FR cotton to the cuff and fleece jersey liner to the palm



Ordering Information

Size Large (9)

0700500432

Size X-Large (10)

0700500433

GLOVES



Curved TIG (GTAW) Gloves



- These TIG gloves are ergonomically designed to fit the natural curve of the hand, giving you quality and comfort like none other
- Made from thin, high-quality leather with improved fit for higher dexterity, the gloves are highly durable, with welted seams and Kevlar stitching
- Extremely lightweight for additional comfort

Ordering Information

Size Medium (8)	0700500448
Size Large (9)	0700500449
Size X-Large (19)	0700500450
Size XX-Large (11)	0700500451

GLOVES

Professional TIG Gloves



- A high-quality TIG glove with a reinforced thumb and 13 cm long leather cuff
- Fully Kevlar stitched and welted with additional vein patch for added protection
- Lined with fleece jersey liner to the palm



Ordering Information

Size Large (9)	0700500463
----------------	------------



Supersoft TIG Gloves



- Exclusive TIG glove made from a high quality sheepskin and a 13 cm long cow split leather cuff
- Fully Kevlar stitched and welted with wraparound index finger for increased dexterity
- Extremely comfortable, dexterous and durable

Ordering Information

Size Large (9)	0700500465
----------------	------------

Soft TIG Gloves



- A thin TIG glove made from pig split leather and a 13 cm long leather cuff
- Fully Kevlar stitched and welted with wraparound index finger for increased dexterity and additional vein patch for added protection



Ordering Information

Size Large (9)	0700500464
----------------	------------

Basic TIG Gloves



- Lightweight and durable traditional TIG glove
- Soft leather palm and back for superior dexterity and with a 13 cm long cuff



Ordering Information

Size Large (9)	0700500460
----------------	------------

Heavy-Duty Aluminium Gloves



- Woven Kevlar aluminised back capable of withstanding a radiant heat of up to 1000 °C with a heavy duty 1.3 mm ceramic fibre supported leather palm capable of contact palm heat up to 250 °C
- The glove features wing thumb, fully welted seams and Kevlar stitched
- Heavy duty FR drill cotton liner which features a Thermolate treatment to the palm. The Aluminium reflects all thermal radiation away from the user



Ordering Information

Size Large (9) 250 °C

0700500423

GLOVES

Aluminised Hand Shield



- Woven Kevlar aluminised welders hand shield for use in conjunction with welding gloves
- Provides added protection from radiant heat and general heat stress
- Aluminised Kevlar is bonded and stitched onto a 1.2 mm cow split leather which is elasticated to fit all hand sizes

Ordering Information

One Size

0700010009

Protective Clothing

ESAB's Leather protective range is helping to redefine welder protection, with garments that provide optimal fit, comfort, performance, style & durability, resulting in safer, more productive working environments.



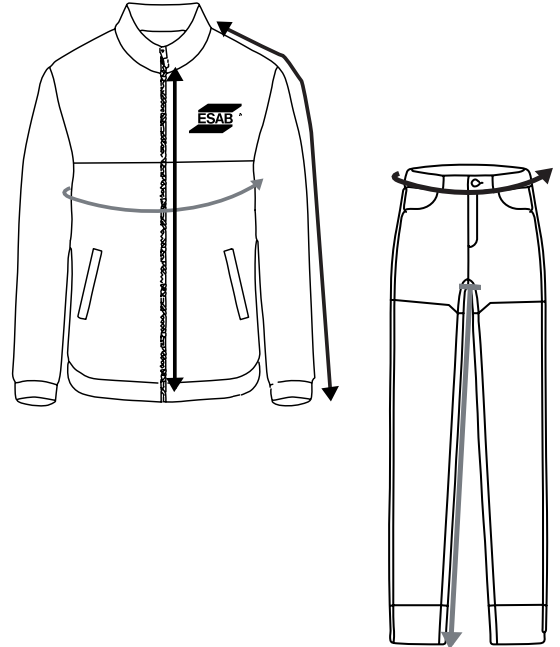
Protective clothing for welding (causing high levels of spatter and radiant heat).



Protective clothing against heat and flame.

FR Welding Jacket Sizing Chart

Size	Chest (cm)	Sleeve (cm)	Torso (cm)
Medium	102	76	76
Large	112	79	77.5
X-Large	122	81	78.75
XX-Large	132	84	80
3X-Large	142	86	81.25
4X-Large	152	89	82.50



FR Welding Trousers Sizing Chart

Size	Waist (cm)	Inseam (cm)
Medium	81.2	81.2
Large	86.3	81.2
X-Large	91.4	81.2
XX-Large	96.5	81.2

FR Welding Jacket

- Sleeves and shoulders are made of durable grade-A leather to withstand the exposure to welding spatter
- The front and back are made from flame-retardant Proban material
- Kevlar stitching, stand-up collar, adjustable sleeves and concealed inner pockets



FR Welding Trousers

- Top and bottom are made from flame-retardant Proban material
- Reinforced front with leather to withstand the exposure to welding spatter
- Kevlar stitching



Ordering Information

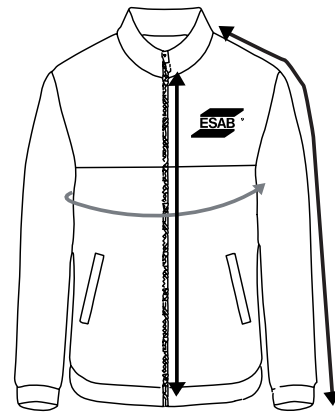
Size Medium	0700500408
Size Large	0700500409
Size X-Large	0700500410
Size XX-Large	0700500411
Size 3X-Large	0700500412
Size 4X-Large	0700500413

Ordering Information

Size Medium	0700500467
Size Large	0700500466
Size X-Large	0700500468
Size XX-Large	0700500469

Leather Welding Jacket Sizing Chart

Size	Chest (cm)	Sleeve (cm)	Torso (cm)
Medium	112	81	76
Large	122	84	76
X-Large	132	86	76
XX-Large	142	89	76



Leather Welding Jacket



- Made of durable grade-A leather to give the best protection against heat and welding spatter and with a reinforced front
- Back made of flame retardant Proban material to reduce weight
- Kevlar stitching, stand-up collar, adjustable sleeves and concealed inner pockets



This Jacket must be worn in conjunction with welders trousers meeting EN ISO 11611:2015

Ordering Information

Size Medium	0700500414
Size Large	0700500415
Size X-Large	0700500416
Size XX-Large	0700500417

PROTECTIVE CLOTHING

Welding Apron



- Made of durable grade-A leather to give the best protection against heat and welding spatter
- This protective apron distributes weight effectively
- Kevlar stitching and 107 cm long



This Jacket must be worn in conjunction with welders garmets meeting EN ISO 11611:2015

Ordering Information

One Size	0700500407
----------	------------

Leather Gaiters



- Leather gaiters to protect the footwear during welding
- Made of durable grade-A leather to give the best protection against heat and welding spatter
- Fastened using velcro



This Jacket must be worn in conjunction with welders garmets meeting EN ISO 11611:2015

Ordering Information

One Size (x2)

0700500445

Welding Sleeve



- Chromee leather sleeves made of durable grade-A leather to give the best protection against heat and welding spatter
- Elasticated cuffs and a total length of 47 cm
- Fastened using velcro



This Jacket must be worn in conjunction with welders garmets meeting EN ISO 11611:2015

Ordering Information

One Size (x2)

0700500447

Proban Hood

- Worn underneath the welding helmet. Flame-resistant head protection that covers the head, neck, and shoulders



Ordering Information	
One Size	0000593269

Balaclava

- Worn underneath the welding helmet. Flame-resistant head protection that covers the head, neck, and shoulders when working in a cold environment



Ordering Information	
One Size	0700010269

Sentinel Bandana

- Worn underneath the welding helmet to protect your head and hair from friction and irritation from the headgear.



Ordering Information	
One Size	0700000821

Welders Cap

- Worn underneath the welding helmet to protect your head and hair from friction and irritation from the headgear.



Ordering Information	
One Size	0700010351

PROTECTIVE CLOTHING



Warrior™ Spectacles



- Warrior™ safety spectacles are used for drilling, chipping, and metalworking
- Sporty lightweight style, soft to the touch, anti-slip nose bridge and a lightweight wrap-around neck cord
- Extremely flexible and durable and are available in four different lens configurations that protect against UV radiation
- CE approved according to EN 166-F
- Delivered 12 pairs per box individually packaged

Ordering Information

Clear	0700012030
Smoked	0700012031
Amber	0700012032
Shade 5	0700012033



Clear



Smoked



Amber



Shade 5

Eco Spectacles



- Eco safety spectacles are used for drilling, chipping, and metalworking
- Sporty lightweight style available in three different lens configurations that protect against UV radiation
- CE approved according to EN 166-F
- Delivered 10 pairs per box individually packaged

Ordering Information

Clear	0700012017
Smoked	0700012018
Amber	0700012019



Clear



Smoked



Amber

Visitor Spectacles

- Protects the eye from flying particles
- Made of impact-resistant polycarbonate



Ordering Information

One Size	0700012021
----------	------------

Grinding Visor

- Protects the face when grinding.
- Strong brown guard and with an adjustable harness



Ordering Information

One Size	0700012020
Replacement Visor (x5)	0700012023

UNRIVALED SERVICE AND SUPPORT.

All ESAB products are backed by our commitment to superior customer service and support. Our skilled customer service department is prepared to quickly answer any questions, address problems, and help with the maintenance and upgrading of your machines. And our products are backed with the most comprehensive warranty in the business.

With ESAB, you can be sure you purchased a product that will meet your needs today and in the future. Product and process training is also available. Ask your ESAB sales representative or distributor for a complete ESAB solution.

For more information please visit esab.com



ESAB / esab.com

