

3M™ Speedglas™ Welding Helmet Series 100
Now upgraded in welding performance!

 **Speedglas™**



Functionality
meets **Style**

The Power to Protect Your WorldSM





Premium Made
Affordable

Performance made Simple

Speedglas welding helmet series 100 allow you to take advantage of excellent optical quality and reliable light-to-dark switching at a highly affordable price. Additionally, these helmets' affordable price and ease of use ensures that their superior quality and expressive style are accessible to even the most occasional welders.



New headband with smooth ratchet for precise tightening

Welding helmet conforms to the high impact rating according to the requirements of the European Standard EN 175:B.

The Speedglas welding helmets series 100 is compatible with most 3M™ Disposable Particulate Respirators.



Magnification made easy. Holders for magnifying lens inside the helmet, attaching the lens is easier and the fit is more accurate.

Dark shade can be increased to 13 or 14 using upgrade plates.

Appropriate for most arc welding processes, including MMA, MIG/MAG and high amp TIG welding.

3M™ Speedglas™ Welding Filter 100V (variable dark shade)

The Speedglas welding filter 100V features five adjustable dark shades 8-12 and a light shade of 3. Possible to lock-in the light state, e.g. when grinding. New Delay function allows you to set the dark-to-light opening time. In addition there are three sensitivity settings.



Technical Specification	3M™ Speedglas™ Welding Filter 100V
Approvals	Conforms to EN 379
Welding filter	EN 166:BT
Protection plates	
Rated for	MIG, Stick, TIG >20 amps
Switching time, light-dark	0.1 ms @ 23°C
Switching time, dark-light	40 - 250 ms
UV / IR protection	Shade 12 (permanent)
Viewing area	44 x 93 mm
Light state	Shade 3
Dark state	Shade 8-12 (variable)
Battery lifetime	1500 hours

According to the European Standard the mechanical strength for this product is classified as B: resistance to high speed particles at medium energy impact (120 m/s). The letter T indicate that the test was conducted at extremes of temperatures (-5°C to +55°C).

3M™ Speedglas™ Graphic Welding Helmet Series 100

Speedglas welding helmets 100 deliver impressive protection and performance with distinctive graphic designs — all with a specific identity.



Boneyard



Ice Hot



Xterminator



Razor Dragon



Raging Skull



Trojan Warrior



Blaze



Aces High

Female Graphic Edition

Inspired by women welders, 3M launched the first line of women specific designs. Our design team took direct inspiration from women welders to work with intricate patterns and graphics. The resulting designs are an avenue for personal expression.



Steel Rose

Toughness and patinated grace. Strong, fearless, and feminine at the same time. Steel aesthetics emphasize the protective qualities of the helmet.

Designed by Ergonomidesign



Wild-N-Pink

Pretty in pink, but do not touch! A vivacious vine flourishes behind a protective overlay of barbed wire and razor-sharp metal sculpture. Admire from a distance.



Skull Jewels

An elaborate floral grill motif emerges into a decorative skull and covers the entire helmet. The skull and flowers engage in visual interplay as one becomes the other, and vice-versa.

Designed by Ergonomidesign



Steel Eyes

Projecting inner strength, with focused eyes looking through a blaze of lilac flames.

Designed by Ergonomidesign

Safety Helmet Option

Welders working in areas with overhead hazards can now benefit from the new safety helmet option for 3M™ Speedglas™ Welding Helmet Series 100: The 3M™ Peltor™ Safety Helmet G3001 is made of high quality UV-stabilised, ABS-plastic. One of the lightest safety helmets on the market, the Peltor G3001 Helmet has top ratings for absorbing and distributing the forces of falling objects.

A Uvicator is built into the G3001 helmet. When the helmet is new the Uvicator is red, as UV-radiation takes its toll on the plastic, the red Uvicator gradually fades out. When the red has faded away completely, it is time to replace the helmet.



Ordering Information

Product Description	Part No	3M ID No
3M™ Speedglas™ Welding Helmet 100 with 3M™ Speedglas™ Welding Filter 100V (variable dark shade)		
Speedglas 100 welding helmet Black with 100V welding filter (shade 8-12)	75 11 20	52000183617
Speedglas 100 welding helmet Blaze with 100V welding filter (shade 8-12)	75 12 20	52000184532
Speedglas 100 welding helmet Trojan Warrior with 100V welding filter (shade 8-12)	75 16 20	52000184615
Speedglas 100 welding helmet Aces High with 100V welding filter (shade 8-12)	75 17 20	52000187170
Speedglas 100 welding helmet Steel Rose with 100V welding filter (shade 8-12)	75 18 20	52000188723
Speedglas 100 welding helmet Skull Jewels with 100V welding filter (shade 8-12)	75 19 20	52000188749
Speedglas 100 welding helmet Wild 'n' Pink with 100V welding filter (shade 8-12)	75 20 20	52000188764
Speedglas 100 welding helmet Steel Eyes with 100V welding filter (shade 8-12)	75 21 20	52000188780
Speedglas 100 welding helmet Xterminator with 100V welding filter (shade 8-12)	75 22 20	52000191016
Speedglas 100 welding helmet Boneyard with 100V welding filter (shade 8-12)	75 23 30	52000191024
Speedglas 100 welding helmet Razor Dragon with 100V welding filter (shade 8-12)	75 24 20	52000191032
Speedglas 100 welding helmet Ice Hot with 100V welding filter (shade 8-12)	75 25 20	52000191040
Speedglas 100 welding helmet Raging Skull with 100V welding filter (shade 8-12)	75 26 20	52000191099
3M™ Speedglas™ Welding Helmet 100 with 3M™ Speedglas™ Welding Filter 100S (single dark shade)		
Speedglas 100 welding helmet Black with 100S-10 welding filter (shade 10)	75 11 10	52000183591
Speedglas 100 welding helmet Black with 100S-11 welding filter (shade 11)	75 11 11	52000183609
3M™ Speedglas™ Welding Helmet 100 with 3M™ Peltor™ Safety Helmet G3001		
Speedglas 100 welding helmet Black, white safety helmet, with 100V welding filter (shade 8-12)	78 31 20	52000187089



3M™ Speedglas™ Welding Helmet 100 Passive

With the 3M™ Speedglas™ 100 Series Welding Helmets, hundreds of thousands part-time welders can benefit from the key attributes of our full-featured models.

A passive shade 11 welding filter kit is also available with the 100 Series Welding Helmet. Passive options work well for welders that perform long continuous welds rather than tack welds. The filter kit is compatible with standard 110 x 90 mm passive welding filters.

When your ready to upgrade to an auto-darkening filter, you just replace the passive welding filter kit with any of the Speedglas 100 Series Welding Filters.

Product Description	Part No	3M ID No
Speedglas welding helmet 100 Black, including passive filter shade 11	75 11 01	52 000 188 491
Speedglas 100 passive kit: including 110x90 mm passive welding filter shade 11, inner cover plate, outer protection plate and filter frame	75 05 11	52 000 188 467

3M™ Speedglas™ Welding Filter 100S (single shade 10 or 11)

The Speedglas velding filters 100S-10 and 100S-11 are only available in the black helmet design.

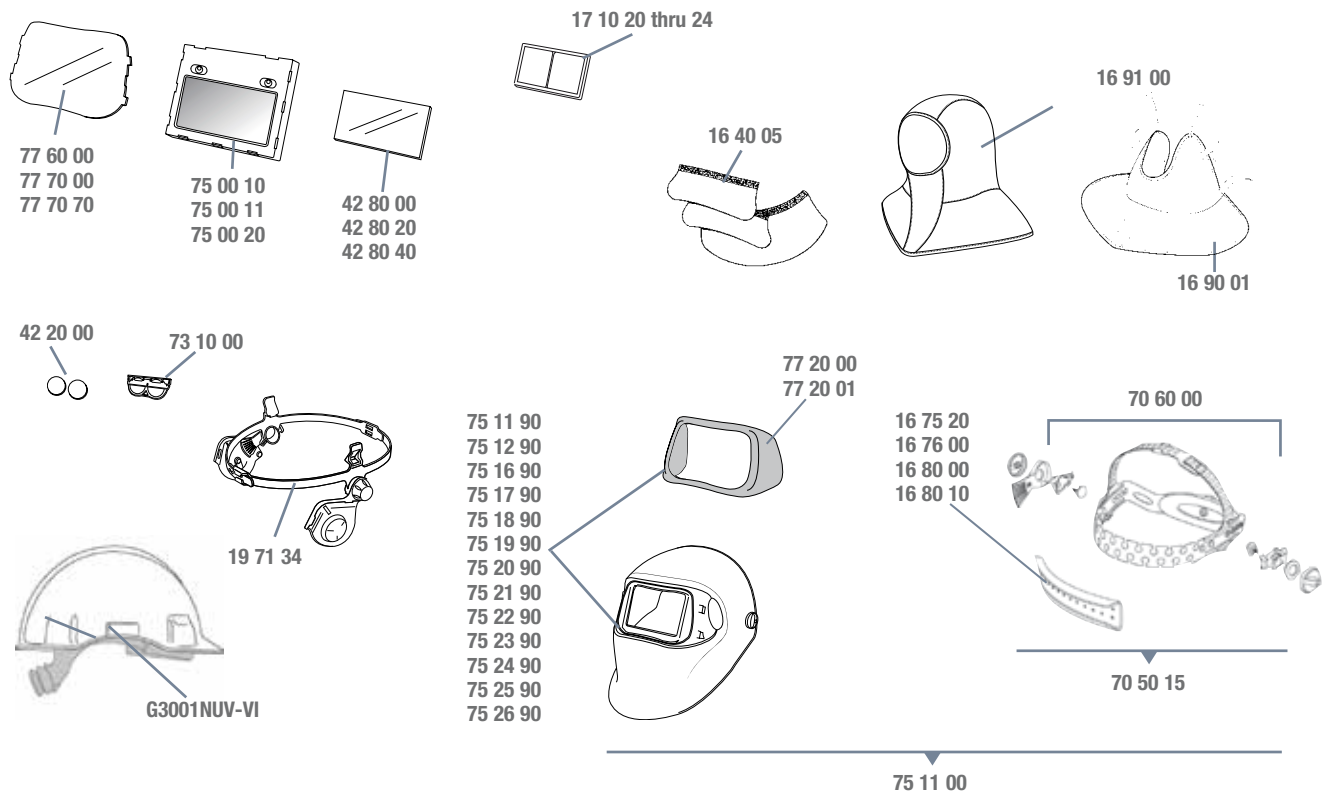
Welders can choose from single dark shades of 10 or 11, respectively. Both with a light shade of 3.



Technical Specification	3M™ Speedglas™ Welding Filter 100S-10	3M™ Speedglas™ Welding Filter 100S-11
Approvals	Conforms to EN 379	Conforms to EN 379
Welding filter	EN 166:BT	EN 166:BT
Protection plates		
Rated for	MIG, Stick, limited TIG	MIG, Stick, limited TIG
Switching time, light-dark	0.1 ms @ 23°C	0.1 ms @ 23°C
Switching time, dark-light	150 ms	200 ms
UV / IR protection	Shade 12 (permanent)	Shade 12 (permanent)
Viewing area	44 x 93 mm	44 x 93 mm
Light state	Shade 3	Shade 3
Dark state	Shade 10 (single)	Shade 11 (single)
Battery lifetime	1500 hours	1500 hours

According to the European Standard the mechanical strength for this product is classified as B: resistance to high speed particles at medium energy impact (120 m/s). The letter T indicate that the test was conducted at extremes of temperatures (-5°C to +55°C).

Accessories and Spare Parts



Part No	Description	Part No	Description	Part No	Description
16 40 05	Ear and neck protection in leather.	75 00 10	Speedglas welding filter 100S-10, single shade 10.	75 20 90	100 welding helmet Wild n' Pink, without welding filter, without headband.
16 75 20	Sweatband, towelling purple, pkg of 2.	75 00 11	Speedglas welding filter 100S-11, single shade 11.	75 21 90	100 welding helmet Steel Eyes, without welding filter, without headband.
16 76 00	Sweatband, towelling purple, pkg of 20.	75 00 20	Speedglas welding filter 100V, variable shade 8-12.	75 22 90	100 welding helmet Xterminator, without welding filter, without headband.
16 80 00	Sweatband, leather.	75 05 11	Speedglas 100 passive kit: 110x90 mm passive welding filter shade 11, inner cover plate, outer protection plate and filter frame (not shown).	75 23 90	100 welding helmet Boneyard, without welding filter, without headband.
16 80 10	Sweatband, fleecy cotton.	75 11 00	100 welding helmet black, without welding filter with headband.	75 24 90	100 welding helmet Razor Dragon, without welding filter, without headband.
16 90 01	Neck protection, black/grey.	75 11 90	100 welding helmet black, without welding filter, without headband.	75 25 90	100 welding helmet Ice Hot, without welding filter, without headband.
16 91 00	Hood black/grey	75 12 90	100 welding helmet Blaze, without welding filter, without headband.	75 26 90	100 welding helmet Raging Skull, without welding filter, without headband.
17 10 20	Magnifying lens 1.0.	75 16 90	100 welding helmet Trojan Warrior, without welding filter, without headband.	77 20 00	Front frame, silver.
17 10 21	Magnifying lens 1.5.	75 17 90	100 welding helmet Aces High, without welding filter, without headband.	77 20 01	Front frame, black.
17 10 22	Magnifying lens 2.0.	75 18 90	100 welding helmet Steel Rose, without welding filter, without headband.	77 60 00	Outer protection plate, standard, pkg of 10.
17 10 23	Magnifying lens 2.5.	75 19 90	100 welding helmet Skull Jewels, without welding filter, without headband.	77 70 00	Outer protection plate, scratch resistant, pkg of 10.
17 10 24	Magnifying lens 3.0.			77 70 70	Outer protection plate, heat resistant, pkg of 10.
19 71 34	Speedyloop with assembly parts.			G3001NUV-VI	Peltor safety helmet G3001
42 20 00	Battery, pkg of 2.				
42 80 00	Inner cover plate, pkg of 5. Plate marking 42 02 00.				
42 80 20	Inner cover plate, +1 shade, pkg of 5.				
42 80 40	Inner cover plate, +2 shade, pkg of 5.				
70 50 15	New headband (Sept 2012) with assembly parts.				
70 60 00	Assembly parts for headband.				
73 10 00	Battery cover.				

Where Do We Find Our Inspiration? We Learn From the Best.

Based on our extensive know-how and our long experience of welders' working conditions, we constantly emphasise innovation in developing equipment that will increase welding performance.

To give us your comments, and to see our latest developments, visit www.speedglas.com.



VISIT THE WORLD OF THE WELDER AT WWW.SPEEDGLAS.COM

Follow us on [facebook](#)

3M

Occupational Health & Environmental Safety
3M Svenska AB

SE-785 21 Gagnef, Sweden
www.3M.eu/Speedglas

Please recycle. Printed in Sweden. © 3M 2012. All rights reserved.
3M, Speedglas and Peltor are trademarks of 3M.