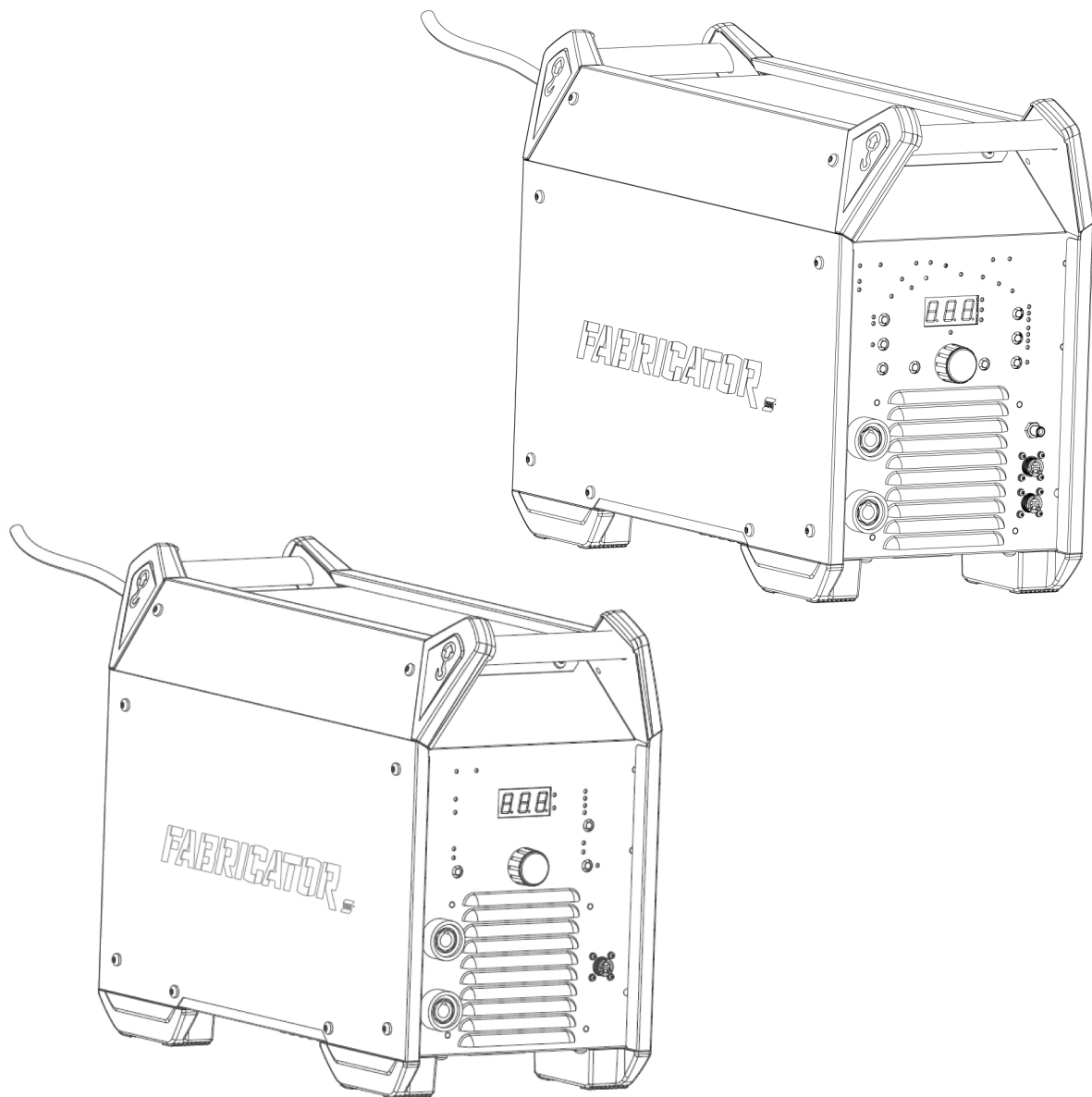


Fabricator ES 410iC

Fabricator ET 410iP



Spare parts list

Ordering no.	Denomination	Notes
0447 100 880	Fabricator ES 410iC Non-CE	Welding power source
0447 100 881	Fabricator ES 410iC CE	Welding power source
0447 101 880	Fabricator ET 410iP Non-CE	Welding power source
0447 101 881	Fabricator ET 410iP CE	Welding power source
0447 100 882	Fabricator ES 410iC CCC	Welding power source
0447 101 882	Fabricator ET 410iP CCC	Welding power source
0447 216 *	Fabricator ES 410iC	Instruction manual
0447 208 *	Fabricator ES 410iC CE	Instruction manual
0447 207 *	Fabricator ET 410iP	Instruction manual
0447 209 *	Fabricator ET 410iP CE	Instruction manual
0447 219 *	Fabricator ES 410iC and ET 410iP	Spare parts list
0447 220 *	Fabricator ES 410iC and ET 410iP	Service manual

Spare parts may be ordered through your nearest ESAB dealer, see esab.com. When ordering, please state product type, serial number, denominations and ordering numbers according to the spare parts list. This facilitates dispatch and ensures correct delivery.

Maintenance and repair work should be performed by an experienced person, and electrical work only by a trained electrician. Use only recommended spare parts.

For accessories to the product, see the instruction manual.

The three last digits in the document number of the manual show the version of the manual. Therefore they are replaced with * here. Make sure to use a manual with a serial number or software version that corresponds with the product, see the front page of the manual.

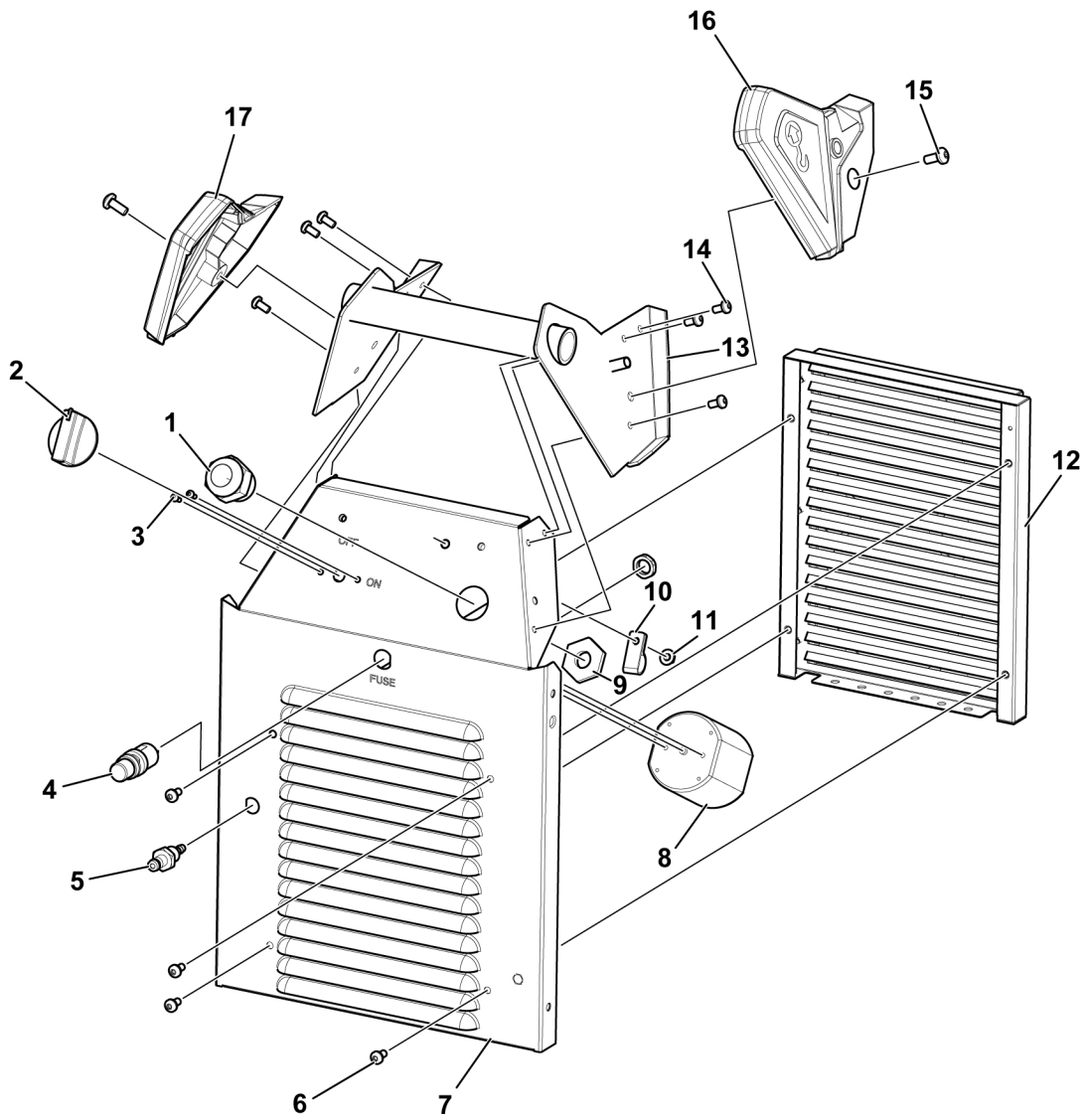
TABLE OF CONTENTS

- 1 SPARE PARTS 4**
- 1.1 Back panel module 4**
- 1.2 Front panel module 6**
- 1.3 Middle plate module 8**
- 1.4 Heat sink module 10**
- 1.5 Heat sink left module 11**
- 1.6 Base plate module 13**

1 SPARE PARTS

1.1 Back panel module

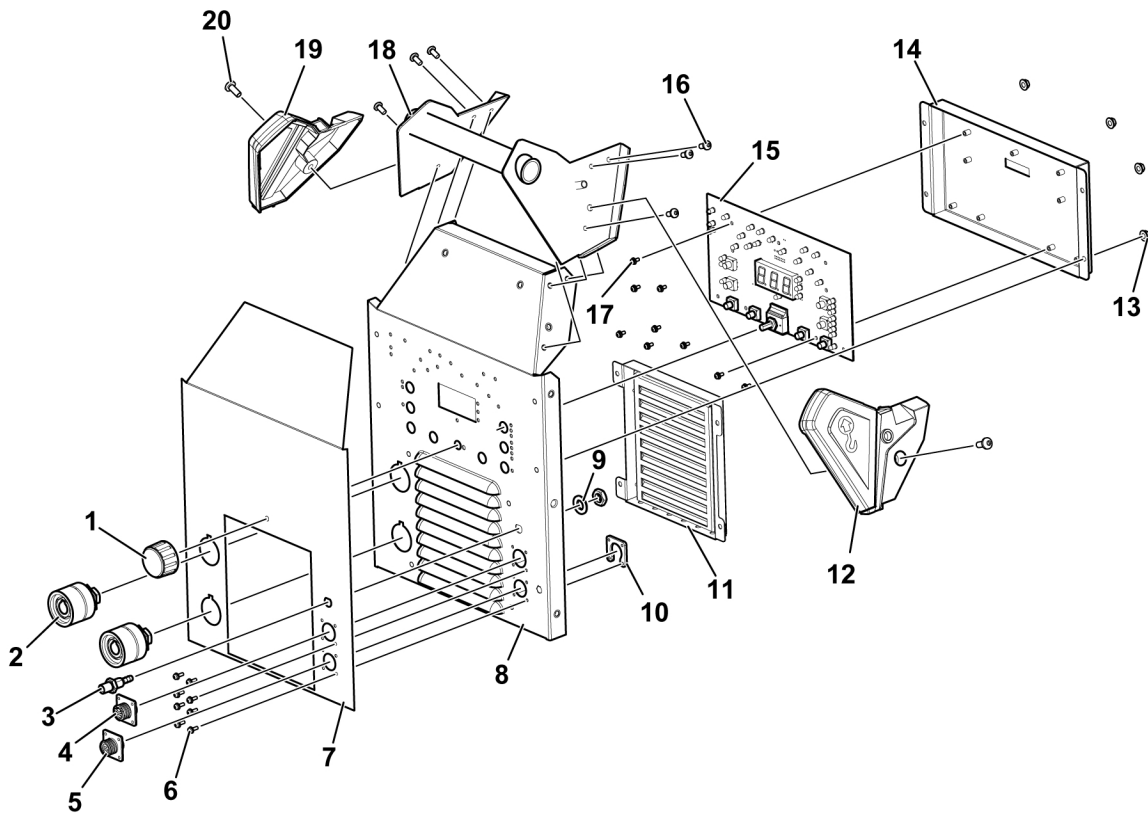
C = Component designation in the circuit diagram					
Item	Qty	Ordering no.	Denomination	Notes	C
1	1	0447 126 001	Cable glands		
2	1	0465 354 002	Knob for switch		
3	2		Torx	M3×8, ISO 14583	
4	1	0447 119 001	Fuse holder	6×30 CR3-13, Fabricator ET 410iP only	
5	1	0447 221 001	Gas connector (gas inlet)	Fabricator ET 410iP only. Including nut	
6	4		Torx	M5×10, ISO 14583	
7	1	0447 116 002	Back panel	Fabricator ET 410iP	
	1	0447 116 001		Fabricator ES 410iC	
8	1	0465 354 001	Main Switch	Except Fabricator ES 410iC (0447 100 882)	2SW1
	1	0447 125 001	Breaker	Fabricator ES 410iC (0447 100 882) only	2SW1
		0447 996 003	Cover		
9	1		Nut	M25×1.5	
10	1	0447 130 001	Cable clamps		
11	1		Hexagon nuts	M5, ISO 4161	
12	1	0447 117 880	Back panel ventilation assembly		
13	1	0447 122 880	Handle assembly		
14	6		Screws	M5×10, ISO 14583	
15	2		Torx	M6×14, ISO 14583	
16	1	0465 293 002	Handle corner part mirrored		
17	1	0465 293 001	Handle corner part		



1.2 Front panel module

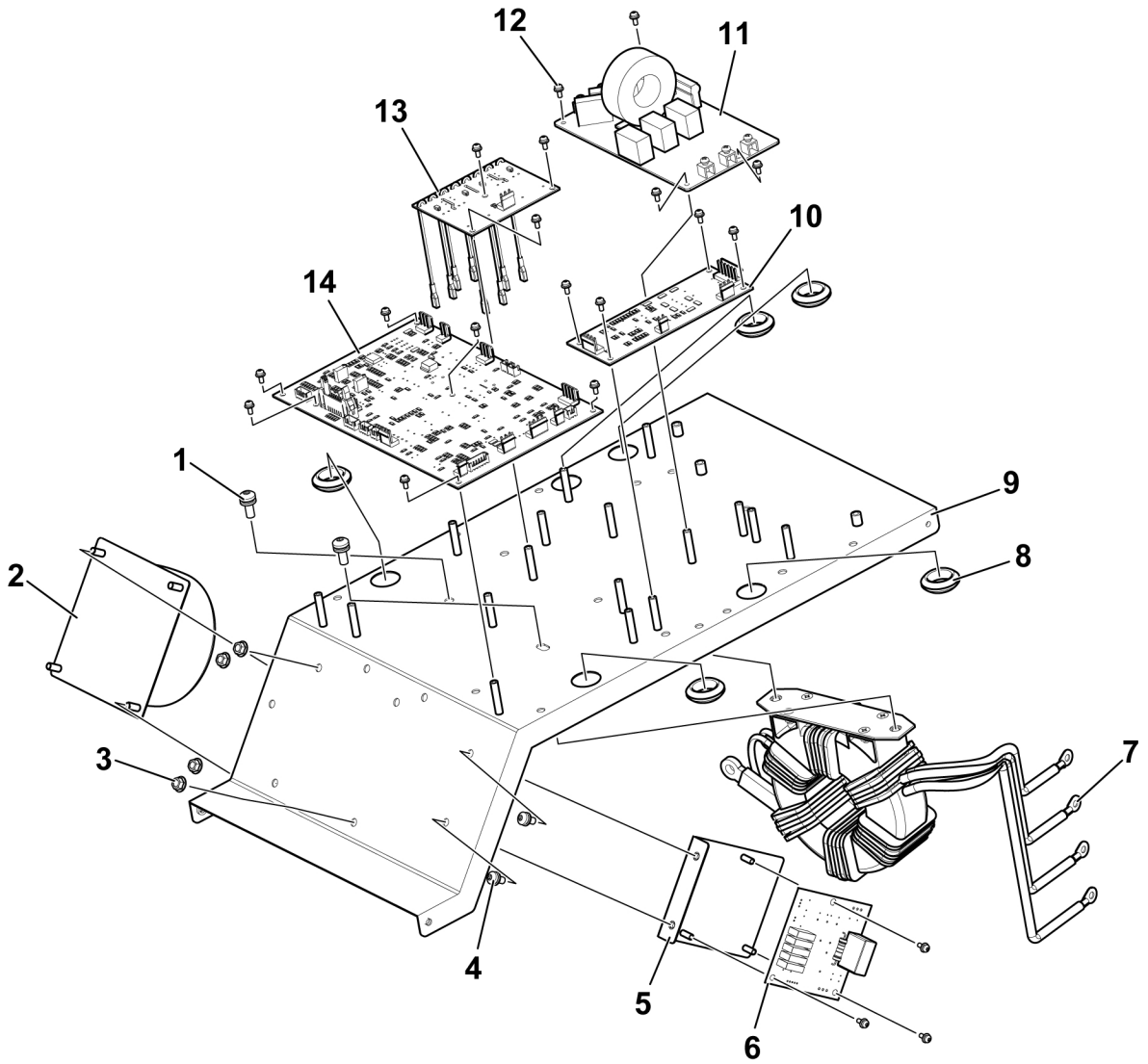
C = Component designation in the circuit diagram					
Item	Qty	Ordering no.	Denomination	Notes	C
1	1	0321 475 893	Knob		
2	2	0447 107 001	OKC Connector		XS1, XS2
3	1	0447 114 001	Gas connector (Gas outlet)	Including 9 and nut	
4	1	0447 484 001	2 Pin Connector with Wiring harness kit	Including 6 (4 qty). Fabricator ET 410iP only	
5	1	0447 188 001	8 Pin Connector with Wiring harness kit	Including 6 (4 qty) and 10	
6	8		Combination torx	M3×16, ISO 14583	
7	1	0447 104 001	Decal	Fabricator ET 410iP	
	1	0447 104 002		Fabricator ES 410iC	
8	1	0447 103 002	Front panel	Fabricator ET 410iP	
	1	0447 103 001		Fabricator ES 410iC	
9	1		Washers	10, ISO 7089	
10	1		8-Pin socket holding plate		
11	1	0447 105 880	Front panel ventilation assembly		
12	1	0465 293 002	Handle cornet part mirrored		
13	8		Hexagon nuts	M5, ISO 4161	
14	1		Shield cover		
15	1	0447 110 880	ET Display PCBA	Including 17. Fabricator ET 410iP	1AP1
	1	0447 109 880	ES Display PCBA	Including 17. Fabricator ES 410iC	1AP1
16	6		Screws	M5×10, ISO 7046.2	
17	9		Combination torx	M3×8, ISO 14583	
18	1	0447 122 880	Handle assembly		
19	1	0465 293 001	Handle corner part		
20	2		Torx	M6×14, ISO 14583	

1 SPARE PARTS



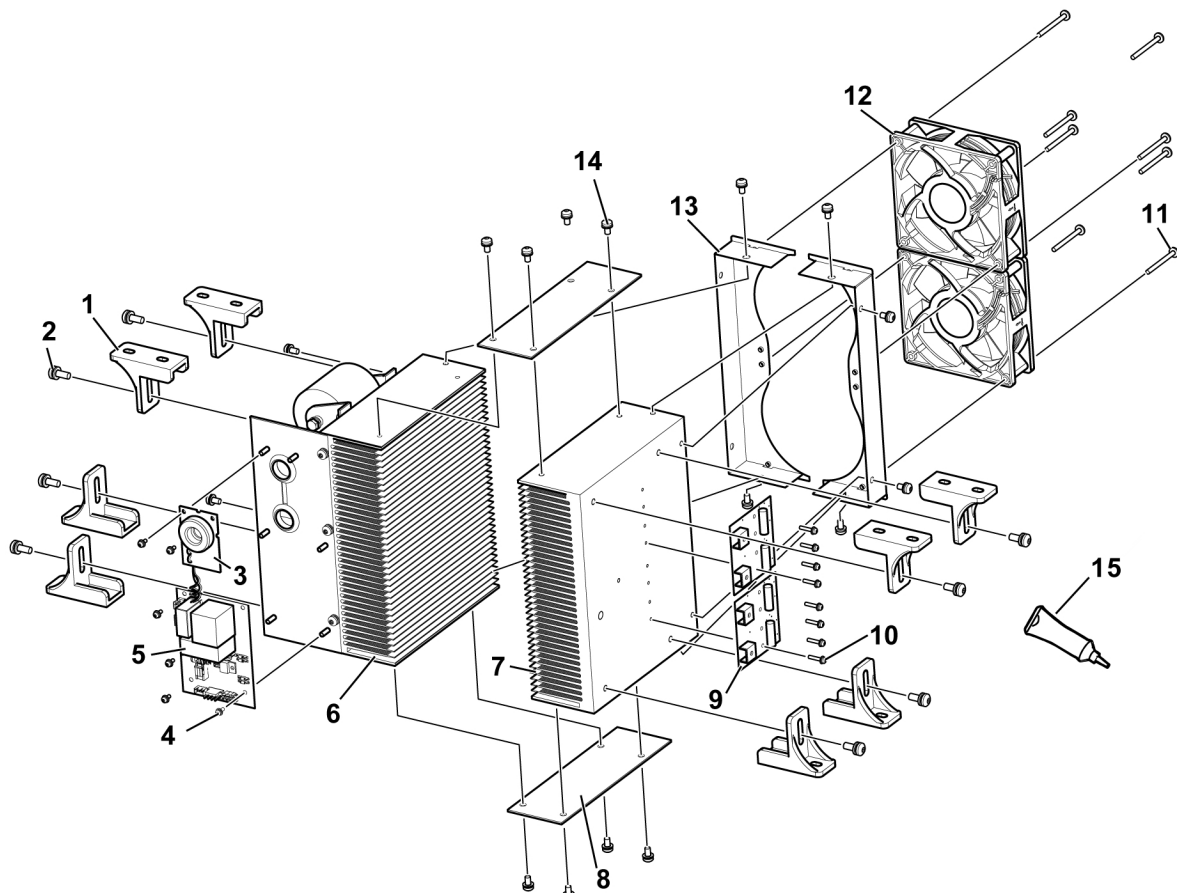
1.3 Middle plate module

C = Component designation in the circuit diagram					
Item	Qty	Ordering no.	Denomination	Notes	C
1	2		Combination torx	M6×16, ISO 14583	
2	1	0447 165 002	Control power transformer	Fabricator ET 410iP	2T1
	1	0447 165 001		Fabricator ES 410iC	2T1
3	4		Hexagon nut	M5, ISO 4161	
4	2		Combination torx	M5×10, ISO 14583	
5	1		Hold plate for PCBA on middle plate		
6	1	0447 166 880	Filter PCBA	Except Fabricator ES 410iC	20AP3
	1	0447 996 001		Fabricator ES 410iC only	
7	1	0447 162 880	Main transformer assembly		15T1
8	5		Grommet		
9	1		Middle plate		
10	1	0447 161 880	Voltage detection PCBA		20AP2
11	1	0447 158 880	EMI PCBA	CE version only	2AP1
12	20		Combination torx	M3×8, ISO 14583	
13	1	0447 192 001	IGBT PCBA with harness		15AP2
14	1	0447 160 880	Main control PCBA	Fabricator ES 410iC	20AP1
	1	0447 160 881		Fabricator ET 410iP	20AP1



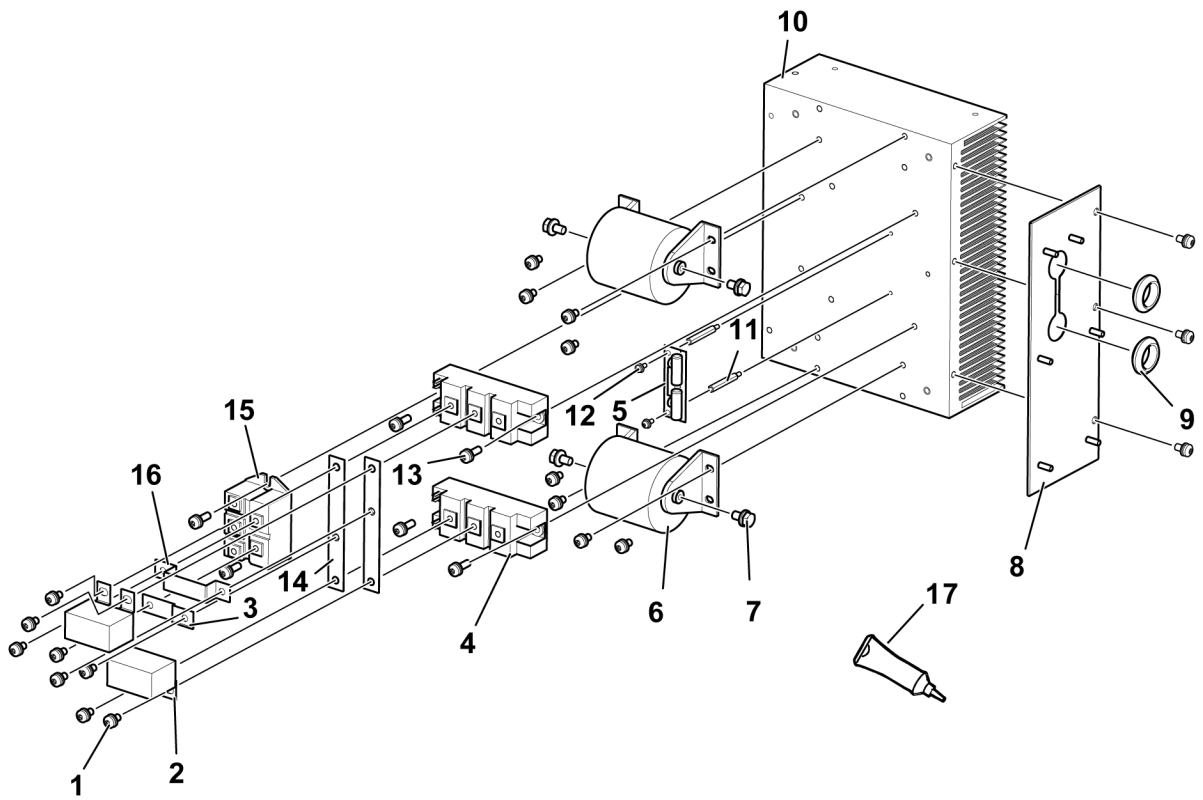
1.4 Heat sink module

C = Component designation in the circuit diagram					
Item	Qty	Ordering no.	Denomination	Notes	C
1	8	0447 143 001	Heat sink holder		
2	8		Combination torx	M6x16, ISO 14583	
3	1	0447 189 001	CT PCBA with harness kit		15AP2
4	6		Combination torx	M3x8, ISO 14583	
5	1	0447 153 880	High voltage generator PCBA		10AP1
6	1		Heat sink assembly - left		
7	1		Heat sink - right		
8	2	0447 154 001	Heat sink connector		
9	2	0447 996 045	Output rectifier PCB kit	Including 10 and 15	15AP3, 15AP4
10	8		Combination torx	M3x14, ISO 14583	
11	8		Torx	M4x45	
12	2	0447 150 001	Fan	RD1238B24H-SC	15EV1, 15EV2
13	2		Fan holder		
14	16		Combination torx	M5x10, ISO 14583	
15	1		Thermal compound		



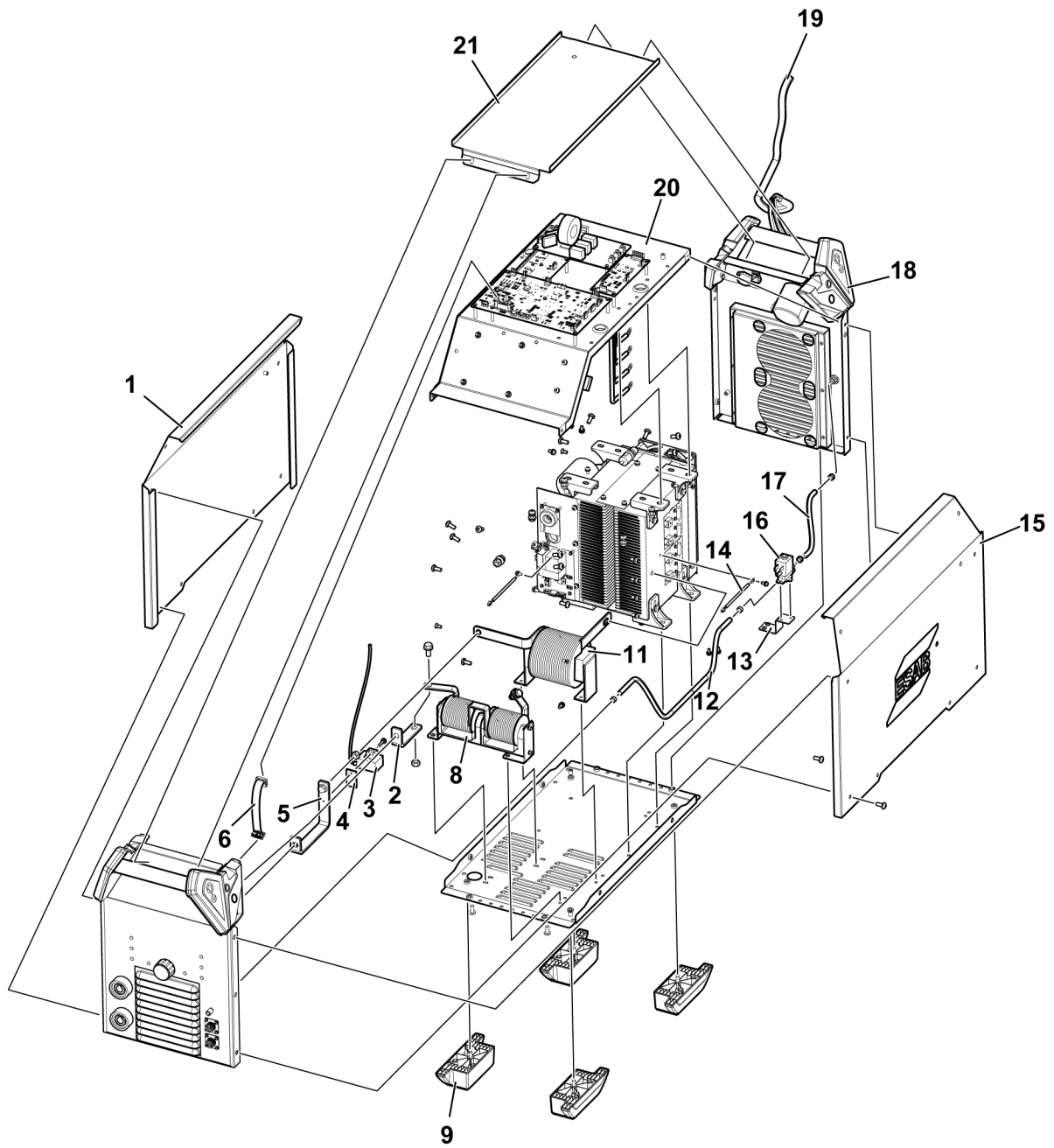
1.5 Heat sink left module

C = Component designation in the circuit diagram					
Item	Qty	Ordering no.	Denomination	Notes	C
1	19		Combination torx	M5×10, ISO 14583	
2	2	0447 142 001	Snubber capacitor		15C3, 15C4
3	1	0447 144 001	Connecting copper bar 1		
4	2	0447 996 043	IGBT Kit	BG100B12UX3-I, including 13 (4 qty) and 17	15PM1, 15PM2
5	1	0447 177 001	Resistor PCB with harness		15AP1
6	2	0447 141 001	Input filter capacitor		15C1, 15C2
7	4		Hexagon head bolt	M6×10, ISO 4017	
8	1		Vertical plate		
9	2		Grommet		
10	1		Left heat sink		
11	2	0447 242 001	Stud	M3×30+6	
12	2		Combination torx	M3×8, ISO 14583	
13	6		Combination torx	M5×16, ISO 14583	
14	2	0447 144 003	Connecting copper bar 3		
15	1	0447 996 044	3 Phase input rectifier kit	MDS 100/16C, including 13 (2 qty) and 17	15BR1
16	2	0447 144 002	Connecting copper bar		
17	1		Thermal compound		



1.6 Base plate module

C = Component designation in the circuit diagram					
Item	Qty	Ordering no.	Denomination	Notes	C
1	1		Left side plate		
2	1		Output connector - negative	Fabricator ET 410iP only	
3	1	0447 181 001	Hall sensor with harness		
4	1	0447 458 001	Insulation gasket		
5	1		Output connector - positive	Fabricator ET 410iP only	
6	1	0447 178 001	Harness from Display PCBA to Main PCBA		
8	1	0447 135 001	High voltage arc start transformer	Fabricator ET 410iP only	10TV1
9	4	0465 415 001	Foot		
11	1	0447 134 001	Output inductor		15L1
12	1		Gas tube	Ø8X5, Fabricator ET 410iP only	
13	1		Solenoid valve holder	Fabricator ET 410iP only	
14	2	0447 185 001	Harness kit for temperature sensor - right		
15	1		Right side plate		
16	1	0447 128 001	Solenoid valve	YG2T-2 DC 24 V, Fabricator ET 410iP only	10YV1
17	1		Gas tube	Ø8X5, Fabricator ET 410iP only	
18	1	0447 116 002	Back panel	Fabricator ET 410iP	
	1	0447 116 001	Back panel	Fabricator ES 410iC	
19	1	0447 460 881	Power cable assembly	CE version	
	1	0447 460 880	Cable	4X4 mm ² , Non-CE/CCC version	
20	1		Middle plate		
21	1		Top plate		





A WORLD OF PRODUCTS AND SOLUTIONS.



For contact information visit <http://esab.com>

ESAB AB, Lindholmsallén 9, Box 8004, 402 77 Gothenburg, Sweden, Phone +46 (0) 31 50 90 00

<http://manuals.esab.com>



CE

