

# HFT PIPESTOPPERS®

## Nylon Plugs

### Pool and Spa Test Plug Kit

HFT PIPESTOPPERS®



For leak testing the typical pipework found in swimming pool and spa installations, the HFT Pipestoppers® division of Huntingdon Fusion Techniques HFT® manufactures ready made kits of plugs to make the sealing of all holes easy and fast for reliable leak testing.

The plugs are made from nylon and natural rubber, so they will not corrode and seize up. They can also be totally dismantled for cleaning and part replacement.

#### The Pool and Spa Test Plug Kit contains:

1 off 4" U-gauge, bulb, Y union and hoses	
2 off 1.5" Nylon Plugs	2 off 2" Nylon Plugs
2 off 3" Nylon Plugs	2 off 4" Nylon Plugs
1 off Blue ABS carry case with cut foam liner	
1 off 0.5" BSP Nipple caps	
1 off 0.5" Swivel nut with free tail piece	

For larger diameters see the details of the Drain Test Plug Kit. All plugs are available as individual items for replacement purposes.

Plug sizes from 1.5 inch and above have an ½" BSP threaded hollow shaft for connecting air lines to pressurise the items under test.

Plugs size 1.5" are available with a narrow bore threaded stem or are available as a solid stem.

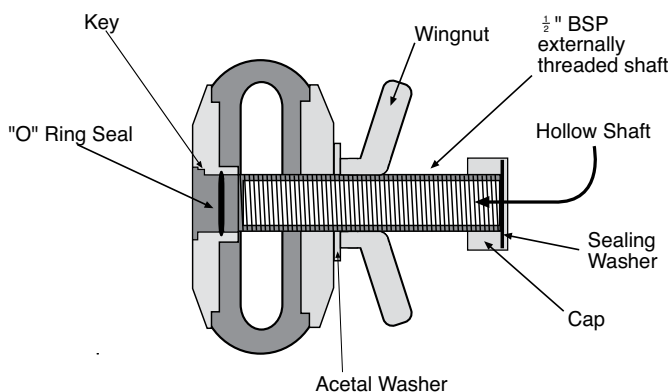
Effective sealing is simple, insert the plug into a pipe opening and tighten the wing nut clockwise. The rubber ring will expand and provide a positive seal. To remove simply reverse the process.

The manometer is used to measure pressure drop in a pipework system and thereby establish where there are leaks.

The plugs will seal the open pipes. An air hose with a ½" BSP threaded female end can be screwed straight onto the plugs with the ½" BSP hollow shaft (larger diameter plugs).

Alternatively, one of the nipple caps provided in the kit can be used. The nipple cap is screwed onto the shaft and a hose can be connected to the nipple and sealed with a worm drive clip (jubilee clip). Hoses can be pushed straight onto the shaft of the smaller plugs and sealed with a clip, or they can be screwed on with a 10 mm threaded connector.

## TECHNICAL INFORMATION



As can be seen from the sectioned view, the unique assembly of the central waterway into the base plate via a snap taper fit and "O" ring seal provides a positive water and air tight joint. The provision of a friction reducing acetal copolymer thrust washer inserted between the wing nut and top plate facilitates easy expansion and release.

Sizes available are for pipe bore sizes.

These plugs conform to ISO Standards for low pressure testing and sealing of pipes.

### Notes:

- 1) They are slightly less efficient at the extreme higher limits of expansion than in the middle and lower ranges.
- 2) Pressure testing depends upon the cleanliness and condition of the pipe bore.
- 3) Nitrile, silicone and viton rubber seals to resist different chemicals and higher temperatures are available from stock as accessories.
- 4) Operators using air or other gases to make leak tests must take the appropriate precautions.

HFT Pipestoppers® Nylon Plug Range						
Size		Weight gms	Outside measurement			
In	mm		Unexpanded		Max. expansion	
			In	mm	In	mm
0.5	13	10	0.47	12	0.62	16
0.75	19	15	0.70	18	0.94	24
1.0	25	20	0.90	23	1.25	32
1.25	32	35	1.22	31	1.65	42
1.5	38	45	1.45	37	1.69	54
2.0	51	80	1.88	48	2.55	65
2.5	64	130	2.36	60	3.03	77
3.0	76	140	2.75	70	3.42	87
3.5	90	148	3.26	83	3.81	97
4.0	102	160	3.74	95	4.33	110
4.5	114	216	4.48	114	5.11	130
5.0	127	280	4.76	121	5.59	142
6.0	152	390	5.82	148	6.37	162

## HFT Pipestoppers® Nylon Expanding Plugs

HFT Pipestoppers® Nylon Plugs are light, non rusting easy to expand and can be dismantled for cleaning purposes and part replacement if required.

All plugs have hollow shafts for gas or liquid testing or draining and are supplied with a sealing cap.



## HFT PIPESTOPPERS®

### Product Range of HFT Pipestoppers® Division:

Pipestoppers® Expandable Nylon Pipe Plugs  
 Pipestoppers® Weld Purge Plugs™ & Orbital Welding Purge Plug Kits  
 Pipestoppers® Expandable Aluminium Plugs  
 Pipestoppers® Expandable Steel Plugs  
 Pipestoppers® Spherical, Cylindrical and PetroChem™ Inflatable Stoppers  
 Pipestoppers® Inflatable Low Profile Stoppers and Rubber Plugs  
 Pipestoppers® Accu-Freeze™ & Qwik-Freezer™ ice plug makers

### Our HFT® Weld Purging Products

Argweld® PurgEye® Weld Purge Monitors®, Argweld® Inflatable Tube, Pipe & Pipeline Weld Purging Systems, Argweld® Weld Purge Accessories, Techweld® MultiStrike® Tungsten Electrodes