

MXL Torches

Gas-cooled Industrial Series



The next generation of MXL torches has been completely redesigned to give users an improved look, feel and performance with all models when used in industrial applications. All consumables are standard Euro style.

- High-quality torch for industrial use
- Ergonomic handle with knuckle joint
- Both gas and water-cooled models available. Please see separate fact sheet and manual

Visit esab.com for more information.



Industry

- Ship and Offshore Yards
- Repair and Maintenance
- Steel Industry
- Industrial and General Fabrication
- Automotive



With an ergonomic and well balanced handle (MXL 341 with soft grip areas), the new MXL torch variants ensure best comfort for the welder.

Specifications			
Description	MXL 201	MXL 271	MXL 341
Cooling	Gas		
Welding Output Mixed Gas	150 A at 60%	210 A at 60%	300 A at 60%
Welding Output CO ₂	160 A at 60%	230 A at 60%	330 A at 60%
Wire Diameter	0.6 – 1.0 mm	0.8 – 1.2 mm	0.8 – 1.6 mm
Certification Mark (Standards)	CE (IEC 60974-7)		
Operating Temperature	-10 to +40 °C		
Cable Length	3 m, 4 m		3 m, 4 m, 5 m

Ordering Information			
Description	3 m	4 m	5 m
MXL 201 with Euro Connection	0700025220	0700025221	0700025222
MXL 271 with Euro Connection	0700025230	0700025231	0700025232
MXL 341 with Euro Connection	0700025240	0700025241	0700025242

Wear Parts – Liners				
Description	Part Number	MXL 201	MXL 271	MXL 341
Steel liner				
0.8 – 1.0, Blue, 3 m	0700200085	x *	x	x
0.8 – 1.0, Blue, 4 m	0700200086	x *	x	x
0.8 – 1.0, Blue, 5 m	0700025800			x
1.0 – 1.2, Red, 3 m	0700200087		x *	x *
1.0 – 1.2, Red, 4 m	0700200088		x *	x *
1.0 – 1.2, Red, 5 m	0700025801			x *
1.2 – 1.6, Yellow, 3 m	0700025802			x
1.2 – 1.6, Yellow, 4 m	0700025803			x
1.2 – 1.6, Yellow, 5 m	0700025804			x
PTFE liner (for Aluminium)				
1.0 – 1.2, Red, 3 m	0700200091	x	x	x
1.0 – 1.2, Red, 4 m	0700200092	x	x	x
1.0 – 1.2, Red, 5 m	0700025812			x
1.2 – 1.6, Yellow, 3 m	0700025813			x
1.2 – 1.6, Yellow, 4 m	0700025814			x
1.2 – 1.6, Yellow, 5 m	0700025815			x
PA/Bronze-Liner (for aluminium and stainless steel)				
0.8 – 1.0, Anthracite 3 m	0700025816		x	x
0.8 – 1.0, Anthracite 4 m	0700025817		x	x
0.8 – 1.0, Anthracite 5 m	0700025818			x
1.2 – 1.6, Anthracite 3 m	0700025819			x
1.2 – 1.6, Anthracite 4 m	0700025820			x
1.2 – 1.6, Anthracite 5 m	0700025821			x

* Supplied as standard

For complete list of wear and spare parts please see separate manual or spare parts list.

MXL Torches

Wear Parts

No.	Description	MXL 201	MXL 271	MXL 341
1	Gas Nozzle Conical	0700200054 (Ø 12 mm)*	0700200055 (Ø 15 mm)*	0700200056 (Ø 16 mm)*
1	Gas Nozzle Tapered	0700200060 (Ø 9.5 mm)	0700200061 (Ø 11 mm)	0700200062 (Ø 12 mm M6)
1	Gas Nozzle Cylindrical	0700200057 (Ø 16 mm)	0700200058 (Ø 20 mm)	0700200059 (Ø 20 mm)
1	Gas Nozzle FCAW	0700200105 (Ø 6.5 mm)		
4	Tip Adaptor M6		0700200073*	0700200074*
4B	Tip Adaptor M8		0700025289	0700025290
5	Nozzle Spring	0700200078	0700200079	
6	Gas Diffusor			0700200080*

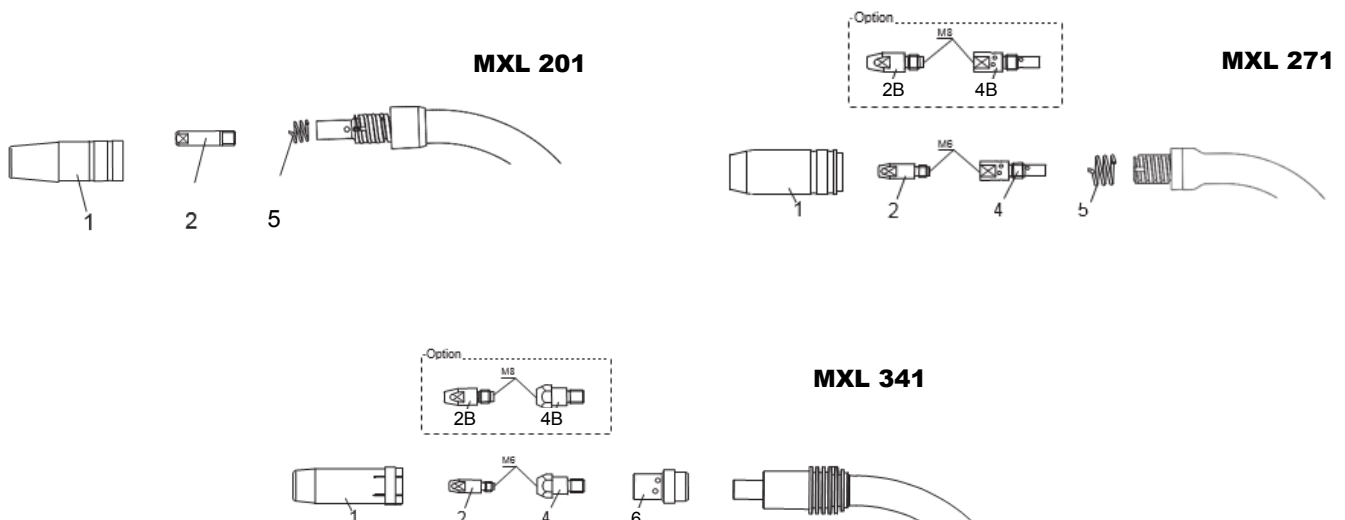
Wear Parts – Contact Tips

No.	Description	MXL 201	MXL 271 / MXL 341		
		Cu	Cu	CuCrZr	Alu Cu
2	Contact Tip M6 x 25 Ø 0.6	0700200063			
2	Contact Tip M6 x 25 Ø 0.8	0700200064*			
2	Contact Tip M6 x 25 Ø 0.9	0700200065			
2	Contact Tip M6 x 25 Ø 1.0	0700200066			
			Cu	CuCrZr	Alu Cu
2	Contact Tip M6 x 28 Ø 0.8		0700200068	0700200081	
2	Contact Tip M6 x 28 Ø 0.9		0700200069	0700200082	
2	Contact Tip M6 x 28 Ø 1.0		0700200070* 1)	0700200083	0700025273
2	Contact Tip M6 x 28 Ø 1.2		0700200071* 2)	0700200084	0700025274
2B	Contact Tip M8 x 30 Ø 0.8		0700025275	0700025280	
2B	Contact Tip M8 x 30 Ø 0.9			0700025281	
2B	Contact Tip M8 x 30 Ø 1.0		0700025276	0700200103	0700025286
2B	Contact Tip M8 x 30 Ø 1.2		0700025277	0700200104	0700025287
2B	Contact Tip M8 x 30 Ø 1.6		0700025279	0700025285	0700025288

* Supplied as standard

1) MXL 271 2) MXL 341

For complete list of wear and spare parts please see separate manual or spare parts list.

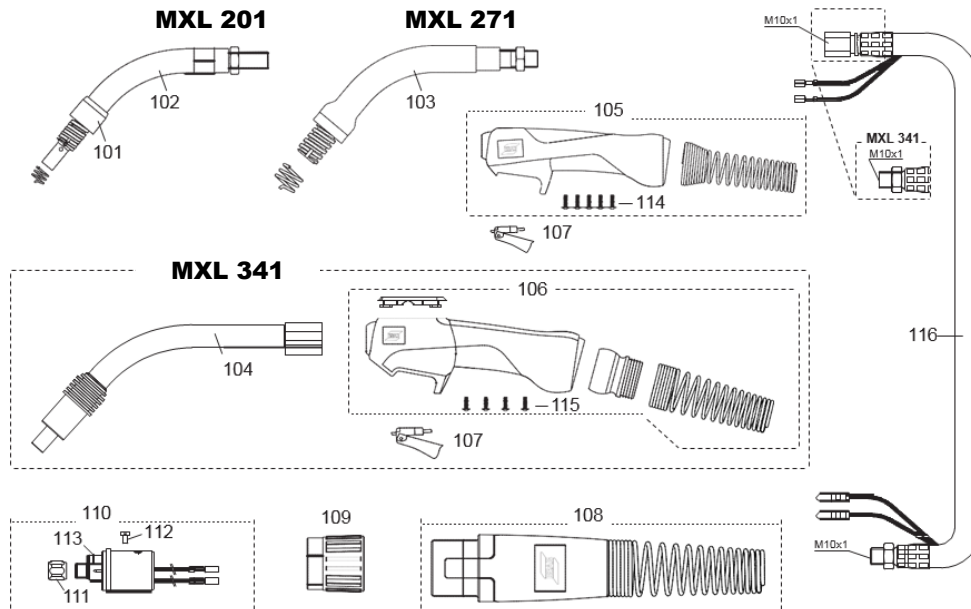


MXL Torches

Spare Parts					
No.	Description	Part Number	MXL 201	MXL 271	MXL 341
101	Head Insulator	0700200096	x		
102	Torch Neck MXL 201	0700025200	x		
103	Torch Neck MXL 271	0700025201		x	
104	Torch Neck MXL 341	0700025202			x
105	Handle Complete Expert Mini	0700025900	x	x	
106	Handle Complete Expert Plus	0700025901			x
107	Trigger, Yellow, 2-poles	0700025903	x	x	x
108	Cable Support cpl.	0700025950	x	x	x
109	Adaptor Nut	0700025951	x	x	x
110	Central Connector G	0700200101	x	x	x
111	Liner Locking Nut	0700200098	x	x	x
112	Cylinder Head Screw M4 x 6	0700025952	x	x	x
113	O-ring 4.0 x 1.0 mm (gas nipple)	0700025953	x	x	x
114	Screw Expert Mini Handle	0700025904	x	x	
115	Screw Expert Plus Handle	0700025904			x

Spare Parts - Cables				
No.	Description	3 m	4 m	5 m
116	Coaxial Cable MXL 201	0700025960	0700025961	-
-	Coaxial Cable MXL 271	0700025962	0700025963	-
-	Coaxial Cable MXL 341	0700025964	0700025965	0700025966

For complete list of wear and spare parts please see separate manual or spare parts list.



ESAB / esab.com

