



Lasting Connections

GUARDIAN AIR PAPR - SYSTEM



voestalpine Böhler Welding
www.voestalpine.com/welding

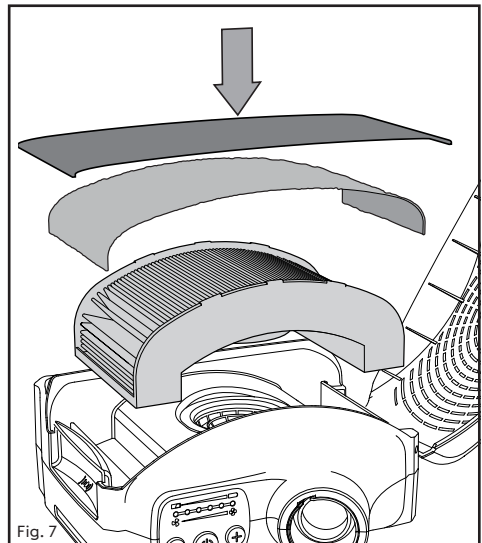
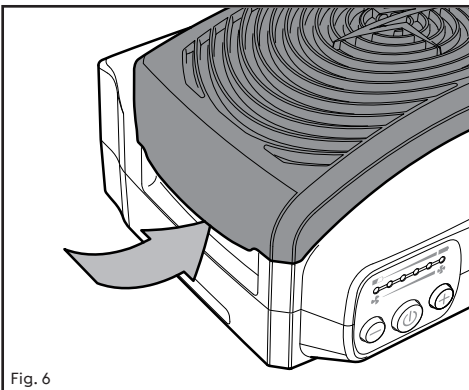
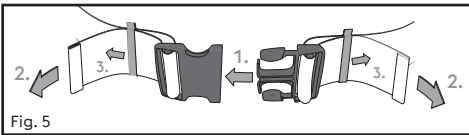
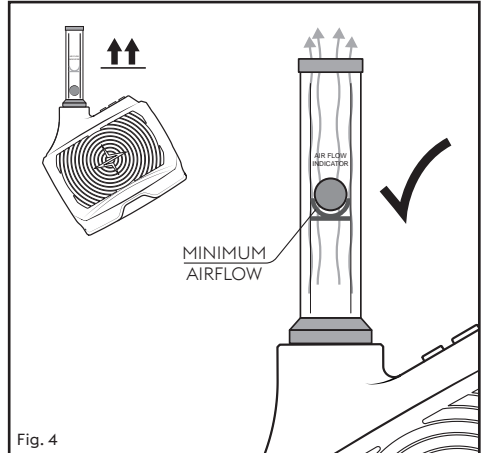
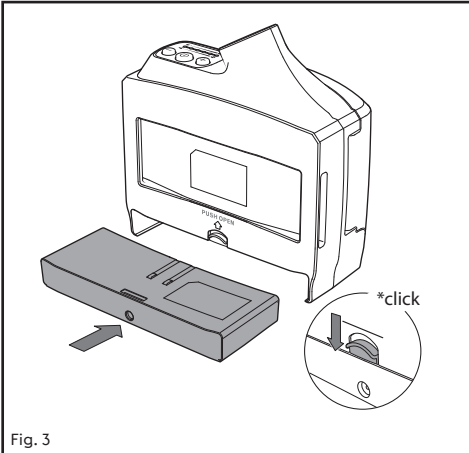
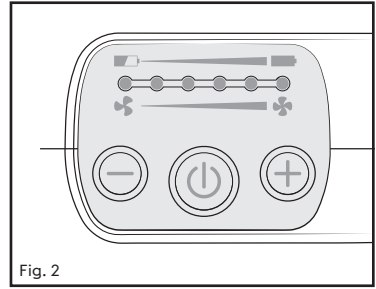
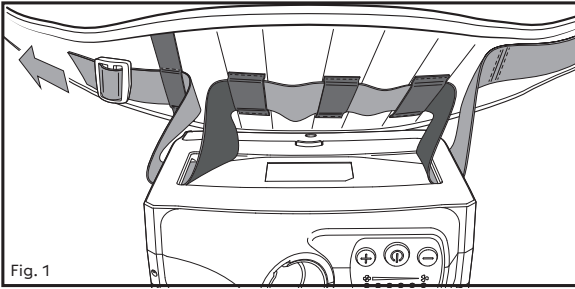
voestalpine

ONE STEP AHEAD.

voestalpine Böhler Welding Group GmbH
www.voestalpine.com/welding

Peter-Müller-Straße 14-14a
40468 Düsseldorf
Germany

| | |
|------------------------------|-----|
| Functions/ Spare Parts | 4 |
| [EN] - English | 6 |
| [DE] - Deutsch | 12 |
| [ES] - Español | 18 |
| [FR] - Français..... | 24 |
| [IT] - Italian..... | 30 |
| [BG] - БЪЛГАРСКИ..... | 36 |
| [CN] - 中文..... | 42 |
| [CZ] - Čeština..... | 48 |
| [DA] - Dansk | 54 |
| [FI] - Suomi | 60 |
| [HU] - Magyar..... | 66 |
| [NL] - Nederlands..... | 72 |
| [NO] - Norsk | 78 |
| [PL] - Polski | 84 |
| [PT] - Português | 90 |
| [RO] - Română..... | 96 |
| [RU] - Русский | 112 |
| [SI] - Slovenščina | 118 |
| [SV] - Svenska..... | 124 |
| [TR] - Türkçe | 130 |



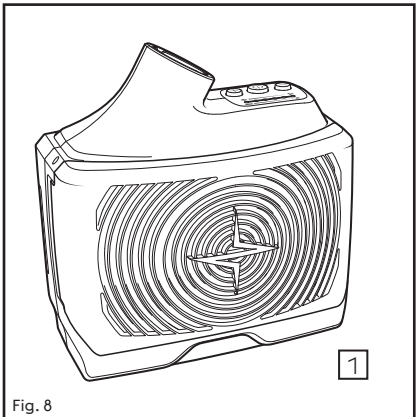


Fig. 8

| ITEM | PART NO. |
|------|---------------|
| 1 | 86692 |
| 2 | 86668 |
| 3 | 86645 |
| 4 | 86655 |
| 5 | 86704 |
| 6 | 86657 |
| 7 | 86660 / 57075 |
| 8 | 57081 |
| 9 | 57065 |

| ITEM | PART NO. |
|------|---------------|
| 10 | 57144 |
| 11 | 57146 |
| 12 | 57184 |
| 13 | 57184 |
| 13 | 86669 / 57007 |
| 13 | 86682 / 57029 |
| 14 | 73314 |
| 15 | 57182 |
| 16 | 57186 / 86702 |

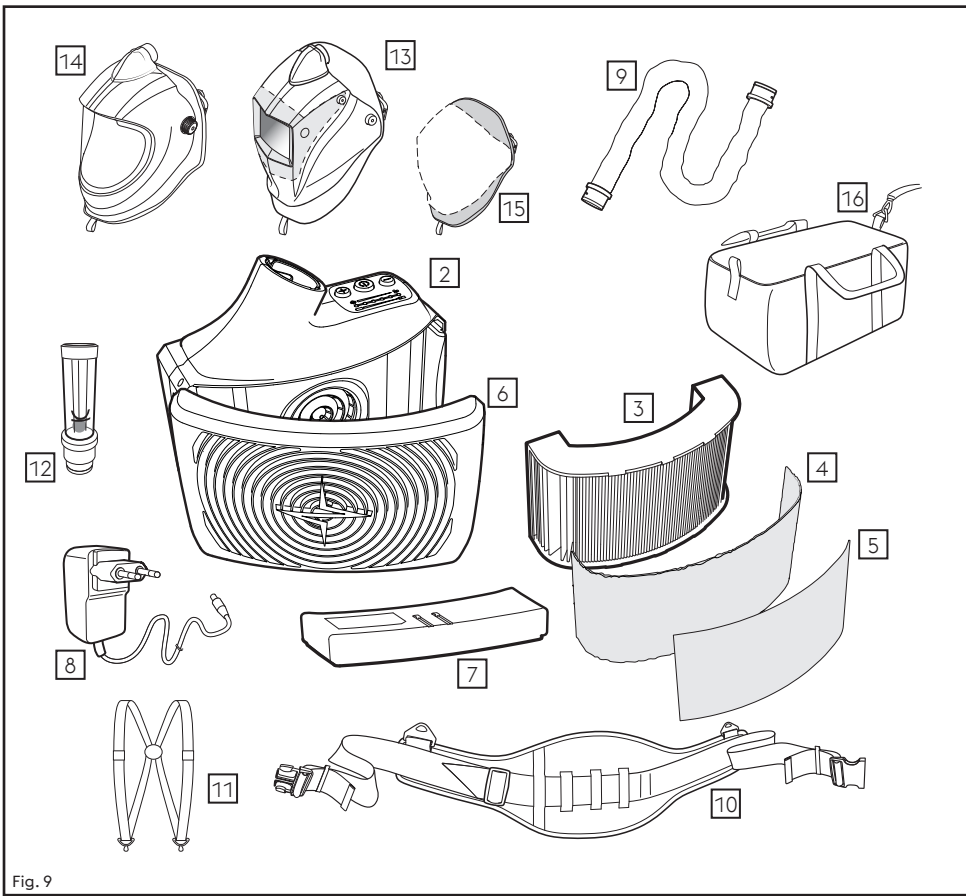


Fig. 9

Guardian Air

USER INSTRUCTION MANUAL FOR PAPR SYSTEMS

Approved to BS EN 12941 : 1998 - A1:2003+A2:2008 TH3
RESPIRATORY PROTECTIVE DEVICE - POWERED FILTERING DEVICE, INCORPORATING A SERIES OF WELDING HELMETS
CLASS TH3 P R SL

USER INSTRUCTION

The manufacturer reserves the right, at any time and without prior notice, to make such changes and amendments to these user instruction as become necessary due to misprints, inaccuracies or product enhancements. Such changes will, however, be incorporated into subsequent editions of the instruction manual.

Our latest product documents as well as all contact details for the **voestalpine Böhler Welding** can be found on our website at: www.voestalpine.com/welding.

IMPORTANT !

This user instruction manual must be read and fully understood before using the equipment.
The user instruction manual must be retained for future reference.

COMPULSORY INFORMATION FOR THE USE OF A POWERED AIR PURIFYING RESPIRATOR WITH WELDING HELMETS

It is imperative that these user instructions are strictly followed when using / operating a Guardian Air PAPR (powered air purifying respirator) system. Failure to follow these instructions may invalidate any warranty protection that is offered or available to you in respect of the product(s). Please refer to the terms of your purchase contract in respect of the product(s) for the specific details of such warranty cover.

The product(s) are designed to protect your health and wellbeing. Failure to comply with these user instructions may also adversely affect your health / well-being.

Please read these user instructions carefully before unpacking your product(s).

No recommendation is given as regards the suitability of this product for your needs. If you have any questions regarding the suitability of this product to your task, please contact an occupational hygienist.

Address contact information is printed on page 2.

CONTENTS

1. Introduction
2. Range of application
3. Approvals
4. Preconditions for use
5. System Overview
6. Unpacking / Assembly
7. Before Use
8. Usage
9. Maintenance / Cleaning
10. Fault finding
11. Storage and transportation
12. List of Helmet Systems certified
13. List of Parts and Assembly Drawing
14. Technical data
15. Warranty

1. INTRODUCTION

Guardian Air is a respiratory protective system which is based on the principle of circulated over pressured air in the helmet. The belt-mounted blower unit delivers air through a filter and via an air hose into a helmet. The supply of filtered air creates positive pressure inside of the helmet, which prevents the external contaminated air from entering the user's breathing zone.

2. RANGE OF APPLICATION

The PAPR system is suitable for all applications where EN12941 certification is acceptable. The unit is not suitable for welding in confined spaces. (See 4. PRECONDITIONS OF USE)

3. APPROVALS

Guardian Air has been designed and manufactured to comply with EN12941: 1998 - A1:2003+A2:2008 as a TH3 P R SL device.

BS4275 (Guide to implementing an effective respiratory protective device program), which the user is advised to read, defines an EN12941 TH3 P R SL device as offering an Nominal Protection Factor of 500.

The PAPR system can only provide this level of protection when used with filters provided by the manufacturer marked "Böhler" and "EN12941:1998 TH3P R SL".

Welding helmets are certified to EN 175B

The PAPR Systems are manufactured under ISO 9001:2000 Quality System.

4. PRECONDITIONS FOR USE

Guardian Air must be used strictly in accordance with this user instruction manual and the instructions supplied with the corresponding helmet.

The user must read and understand all the following „Instructions for Use“ well to be able to use the respiratory protective system correctly. Any questions should be directed to the manufacturer contact points noted on page 2.

When the PAPR is switched off, little or no respiratory protection is to be expected. When the PAPR system is switched off a rapid build up of carbon dioxide and depletion of oxygen within the helmet may occur and so **it is essential not to use the blower unit when it is switched off.**

GUARDIAN AIR MUST NOT BE USED:

- » In an atmosphere that is immediately hazardous to user hygiene or health and or has oxygen content of less than 19.5% or contains unknown substances.
- » In confined spaces or unventilated areas such as tanks, pipes, canals etc.
- » Near to flames and/or sparks
- » In areas with danger of explosion.
- » In an area where there are high winds.
- » If the blower unit stops working due to any reason, the user must leave the contaminated area immediately.

IT IS ALSO ESSENTIAL THAT:

- » Nothing is allowed to touch the moving parts.
- » There is no attempt to modify or alter the PAPR system or filter in any way.
- » Water or other liquids does not enter the unit in any way – in particular the motor and fan, the filter or the battery.

Make sure that helmet fits the user's face perfectly. Only then is the efficiency of the system sufficient. The protective factor of the complete system is reduced if the seal of the helmet is not fitted properly, for example due to beards or long hair interfering into the seal line.

There is a possibility that the hose to helmet may become caught up in use. The PAPR system should be positioned on the person in such a way as to reduce this possibility.

Filters cannot be fitted directly to helmet and should not be adapted to do so.

Correct respiratory protection will not be provided if any parts of the equipment are modified in any way.

At very high work rates the pressure in the PAPR system may become negative at peak inhalation flow. If in any doubt the user should consult local Health and Safety personal and acceptable risk assessments taken.

The PAPR systems are for use only by competent, trained personnel.

ATTENTION!

If any of these conditions is not kept or followed, the warranty is automatically invalid.

THE USER IS ADVISED TO LEAVE THE CONTAMINATED AREA IMMEDIATELY IF:

- » The Manufacturer's Minimum Design Flow (MMDF) warning Alarm sounds
- » Breathing becomes difficult
- » Dizziness or distress occurs
- » Any part of the system becomes damaged
- » Airflow into the helmet decreases or stops
- » Contaminant can be smelt or tasted inside the helmet
- » Materials that may come into contact with the user's skin are not known to cause allergic reactions to the majority of individuals but in the unlikely event of a reaction, the user should immediately leave the contaminated area, remove the unit and seek medical advice.

5. SYSTEM OVERVIEW

Guardian Air is a belt mounted powered respirator with a replaceable, disposable high efficiency particle filter system. The system is certified with the helmets covered in section 10 and they cover head sizes from 535 to 600 mm circumference. The PAPR system contains a removable 8-hour rechargeable battery pack. (8 hours in a clean environment – in a workshop the time can be significantly reduced depending on the particulate levels in the atmosphere)

Guardian Air will warn the user when the MMDF of 170 L/min, is not achieved with its audible alarm and flashing LED's. In operation once the alarm sounds, the user must immediately leave the work area and reach an area nominated to be safe. The PAPR system has visual alarm for a low battery and a multiple alarm – audible and visual for a blocked filter. Depending on the fault, the user should replace the filter with a new one (In very dusty environments the filter will need changing frequently) and or re-charge or change the battery for a fully charged one. Only when the PAPR system will function with the alarm switched off and the flow rate has been tested to be acceptable, should the user return to the work place.

The filter has been developed especially for this unit. It is used to filter the air the user will breathe. It is essential that the user checks the filter for any signs of damage or deformation that could potentially let contaminated air into the system. The filter must be disposed of if the filter is damaged or if clogged to the point of triggering the systems alarm mechanism.

The removable rechargeable battery used is a Lithium-ion cell. When supplied the battery may hold a small charge, the PAPR system should be run flat and then charged for sixteen hours before the first use.

6. UNPACKING / ASSEMBLY

6.1. Unpacking

Check that the package is complete and that no part is damaged due to the transport or for other reasons.

A package with the complete PAPR system including accessories contains:

- » Guardian Air incl. battery and P R SL filter and pre-filter
- » Belt
- » Air hose
- » Air flow tester
- » Battery charger
- » User Instruction

6.2. Assembly

Attach the blower unit onto the belt: Pass the inner strap through the back of the blower loops. The pass through the belt loops and then through the buckle. (Fig. 1 / p. 4)

Fit the battery to the blower unit. (Fig. 3 / p. 4)

6.2.1. Waist-belt adjustment:

Put the belt around your waist with the PAPR system to the back and fasten the two ends together.

If the belt is too loose, slide the male adjuster down the belt, towards the female half. If the belt is too tight. Slide the male adjuster away from the female half.

Repeat the above processes until a comfortable and secure fit is achieved. Once the belt fits correctly, secure any excess belt material through the belt loops. (Fig. 5 / p. 4)

6.2.2. Particulate filter

Use only Böhler marked filters as supplied by voestalpine Böhler Welding. Using any other filters will cause invalidation of any warranty protection and/ or a serious risk to the health of the user operating the product(s).

It should first be ascertained by consulting an occupational hygienist or by calling the manufacturers technical help line as to whether the Böhler marked filters will offer suitable protection from the hazard.

Guardian Air is equipped with a high efficiency particle filters of class P R SL.

As soon as the warning alarm sounds, the pre-filter should be exchanged or checked. In very dusty area's this can be necessary on a frequent basis.

The filters must be regularly checked (see 7.2. Airflow Test) and replaced. Filters are intended to be replaced and must not cleaned / re-used.

Make sure that the new filters are within their expiry date, unused and not evidently damaged. From the hygienic point of view, the maximum working time of a main filter is 2 weeks or 90 hours whichever is the greater and should not be exceeded.

WARNING!

It is essential that the user must not confuse the markings on the filter relating to any other standard other than EN12941 1998 -A1:2003+A2:2008 with the classification of the device when used with this filter.

6.2.3. Removing the filters and fitting new ones

Open the filter cover by pulling the cover outward from the right side of the blower. (Fig. 6 / p. 4)

ATTENTION! It is strictly forbidden to use any tools to open the filter cover.

To remove the filter, pull it out of the unit. Clean the unit from dust ensuring no dust enters the air inlet.

Insert the new filter back into position. (Fig. 7 / p. 4) Push it gently in until it fits well on the body of the unit.

Put the pre-filter and spark guard in place. Close the filter cover. Pay special attention, the filter cover will snap in place when properly closed. Do not attempt to use the blower unit without the cover fitted correctly.

6.2.4. Changing the pre-filter (Fig. 7 / p. 4)

The pre-filter is a fleece fabric which is fitted over the main filter. To remove / replace simply pull off the old filter and stretch the new one into position. It is important to ensure that the filter media of the main filter is completely covered by the pre filter.

6.2.5. Attaching the hose to the PAPR system:

Align the pins of the hose bayonet connector with the slots in the air outlet of the PAPR system. Push the bayonet connector into the blower until it reaches the bottom of the hole and then twist in a clockwise direction until the locating pins clips into place.

Fitting the hose to the helmet is the same procedure.

6.2.6. Donning the Böhler Guardian Air helmets:

1. Set the welding helmets rake and adjust the welding filter to suit. (See the helmet's user instructions)
2. Lift the helmet to it's upper position.
3. Place over the head and adjust the headgear ratchet wheel by pushing it in and twisting until a satisfactory tightness is achieved.
4. Pull the elasticated chin guard downwards and at the same time pull the helmet down. Ensure the elasticated chin guard fits comfortably under the chin.
5. The Welding helmet is now ready for use.

7. BEFOR USE

7.1 Inspection before use:

Each and every time before starting work, check that:

- » All components are in good condition with no visible damage (like holes, tears etc.). Replace any damaged or worn parts. Carefully examine the air hose, seals and the face piece.
- » There is a good connection between the air hose and the helmet as well as the PAPR system.
- » There is sufficient air flow. (see 7.2. Airflow Test)
- » The air is supplied through the whole PAPR system from the blower to the helmet.
- » Charge the battery before the first use and check that the battery has sufficient charge prior to every subsequent use. (see 7.3. Batteries)
- » **Ensure the alarms are working correctly (see 8. Usage)**

7.2. Airflow test: (Fig. 4 / p. 4)

6. Disconnect the air hose from the blower unit.
7. Insert the airflow indicator into the air hose connector and keep the hose in vertical position at about the eye level.
8. Switch the power unit on. The airflow is sufficient only if the ball indicator reaches the minimum flow rate level. If the indicator sinks is below the minimum flow rate level, it is necessary to charge the battery or change the filter. If the problem still persists, see chapter 10 for additional suggestions.

7.3. Batteries

NOTE ! Batteries are delivered only partially charged. All batteries must be charged before they are used for the first time. The battery can be charged separately or on the blower unit.



It is imperative that the battery charger used to charge the product(s) is the one that was delivered to you at the time of receipt of the product(s) and is a manufacturer approved battery charger. Using any other battery charger will cause invalidation of any warranty protection and / or a serious risk to the health of the user operating the product(s) from fire or explosion.

The charger must not be used for any other purpose than that for which it was manufactured. Do not charge the battery in a potentially explosive atmosphere. The battery charger is intended for indoor use. It must be protected against damp. The charger controls the charging automatically. After the battery has been charged, the charger switches to the trickle charging regime and keeps the battery fully charged. The charging time is 4 to 6 hours.



1. Check that the voltage of the electrical power supply is correct.
2. **Check that the battery charger being used to charge the product(s) is the one that was delivered to you at the time of receipt of the product(s) and is a manufacturer approved battery charger. It is essential that only the supplied charger is used. Failure to do so may cause a serious risk of fire or explosion.**
3. Plug the charger into the socket. Either direct into the blower when the battery is fitted or into the battery directly.
4. Connect the battery to the charger. The socket of the battery is positioned on the back side.
5. The charging state is indicated by a red LED diode light.
6. After charging has been completed, the trickle charging regime is activated: - red LED diode goes out, the green LED diode comes on at the moment of trickle charging.
7. Disconnect the charger from the power supply.

Do not leave the battery charger in the power supply if not in use!

7.3.2. Battery changing

Removing the battery:

Locate the battery catch. Pull back the battery catch and at the same time the battery can be removed by lifting upwards.

Fitting the battery:

Make sure the battery is the correct way up (as per 6.2) and then slide into the blower unit until the battery catch engages. It is essential that the battery catch is fully locked. (Fig. 3 / p. 4)

8. USAGE

Switch on the blower unit by pressing the ON/OFF button on the control panel. The airflow can be adjusted by pressing the + / - buttons from 180 l/min up to 220 l/min in six speeds. The Green LED diodes shows the actual airflow level. Please note that for every press of the buttons, it is necessary to hold the press for 2 seconds for the action to occur. This is to avoid accidental changes. (Fig. 2 / p. 4)

Guardian Air ensures a constant supply of air. The microprocessor inside the unit automatically regulates the motor speed to compensate the filter clogging and the battery state. If the microprocessor cannot keep the adjusted airflow, the unit will sound a 'beeping' alarm (an acoustic signal can be heard), at which point the user must check the PAPR system. If possible, the microprocessor automatically reduces the airflow to the next lower level, if it fails to meet the lower level, the alarm will still sound. When the airflow falls below the minimum safe operating level, a second audible alarm joins the first. At this point, the user must stop working at once, leave the working environment and reach an area nominated to be safe and change the filter or recharge/change the battery.

To check the alarms it is necessary to block off the air outlet with the palm of a hand or by another suitable means. Then with PAPR system switched on, the motor will try to compensate by increasing the speed until the microprocessor sounds the alarm as described above.

To check the battery: When first starting the unit, the battery LED's will flash red on the control panel then go out if light stays on this indicates low battery and should be charged. It is recommended that only a fully charged battery should be used when starting a work shift.

With a fully charged battery in place, the unit should function normally, but if the audible alarm still sounds, the user must change the filter. If the problem still persists, see chapter 10 for additional suggestions.

9. MAINTENANCE / CLEANING

The blower unit, filter housing and helmet must all be regularly cleaned to keep them in good working order.

For single users, the units can all be cleaned with a cloth moistened with luke-warm water and soap.

For multiple users, the units should be disinfected when passed from one user to another.

Liquids must not be allowed to enter the workings of the PAPR system or get on to the element of the filter.

Parts should be allowed to air dry. Under no circumstances should any solvents or abrasive cleaning agents be used. The unit must not be dried using hot air or radiant heat.

The PAPR system should continue to provide protection to the designed specification for 2 to 3 years, when maintained in accordance with these instructions. Prior to each use the user should check that the PAPR system is free from defects, such as cracks, split filters and hoses, cracked visors and helmet components as appropriate.

10. FAULT FINDING

If there is a sudden change in air supply while using the system, it is necessary to check the following:

- » That all parts of the air-supply system are assembled properly.
- » The battery and its connector
- » Whether the battery is not faulty or malfunctioning
- » Filters and their clogging
- » That there is not a hole in the air hose.
- » Whether the helmet seal is not damaged.
- » Whether the working time after a full recharging of the battery has not decreased (if so, it is necessary to replace the battery).

| FAULT | PROBABLE REASON | RECOMMENDATION |
|--|--|---|
| The PAPR system does not work at all | <ul style="list-style-type: none"> » Entirely discharged battery (verify if the blower unit works with another charged battery) » Faulty motor, circuit board or connector | <ul style="list-style-type: none"> » Charge the battery (if problem persists, check the battery) » Contact your supplier. |
| Low airflow | <ul style="list-style-type: none"> » Blocked air hose or airt duct » Leakage » Battery is not charged enough » Blocked filter or pre-filter | <ul style="list-style-type: none"> » Check and remove blockage. Check all seals, connectors and the air hose. Make sure that air can not leak through holes or tears. » Charge the battery (if problem persists, check the battery) » Change the pre-filter. Then if the problem persists, change the main filter. |
| Short operating time | <ul style="list-style-type: none"> » Clogged Filter » Battery is not charged properly | <ul style="list-style-type: none"> » Change the filters » Charge the battery. (If problem persists, check the battery) |
| Battery cannot be charged | <ul style="list-style-type: none"> » Battery contact is damaged » Charger is faulty | <ul style="list-style-type: none"> » Check the battery contact. » Contact your supplier |
| Battery cannot be charged sufficiently | <ul style="list-style-type: none"> » Battery is worn out | <ul style="list-style-type: none"> » Install a new battery. |

11. STORAGE AND TRANSPORTATION

When not in use or during transportation the blower and head units should be stored in the container in which they were provided, or other similar container, such that it is out of direct sunlight, not in contact with solvents and cannot be damaged by physical contact with hard surfaces/items. Do not store outside the temperature range of +0°C to +40°C or with humidity above 75% RH.

12. HELMETS SYSTEMS CERTIFIED

- 13 - Guardian 50M Air - 86669
- 13 - Guardian 50FM Air - 86682
- 13 - Guardian 62 Air - 57007
- 13 - Guardian 62F Air - 57029
- 14 - Big Vision Air - 73314

13. LIST OF PARTS AND ASSEMBLY DRAWING (p. 5)

- 1 - Guardian Air (complete blower kit) - 86692
- 2 - Motor unit - 86668
- 3 - Particle filter P R SL (4 pcs.) - 86645
- 4 - Pre-filter (10 pcs.) - 86655
- 5 - Spark guard - 86704
- 6 - Filter cover - 86657
- 7 - Standard battery (5.200mAh) - 86660
- 7 - Heavy duty battery (7.800mAh) - 57075
- 8 - Universal charger - 57081
- 9 - Flexible air hose incl. air hose protection - 57065
- 10 - Comfort belt - 57144
- 11 - Shoulder harness - 57146
- 12 - Airflow tester - 57184
- 15 - Face-seal - 57182
- 16 - Böhler bag (blue) - 57186
- 16 - Böhler bag (black) - 86702

14. TECHNICAL DATA

Guardian Air is a light-weight and easy to handle PAPR system. It is equipped with a replaceable particulate filter. The system affords reliable protection against particulates and aerosols.

- » Air flow: 180 to 220 l/min. with a minimum flow rate of 170 l/min for the alarm to sound.
- » Weight with filter and battery: 870 grams
- » Operating temperature between 0 °c and +40 °c
- » Type of filter: P R SL
- » Type of battery: Replaceable and rechargeable Li-Ion 7.4 V / 5.200 mAh
- » Charging cycles >350 r
- » Visual alarm for low battery voltage
- » Visual and audible alarms for insufficient flow rate (below 170 l/min)
- » Nominal Protection Factor (NPF) 500
- » Noise level: 65 dB
- » Operating time greater than 8 hours on minimum flow rate with a new filter and fully charged battery in a clean environment. (6 hours on maximum flow rate.). In actual use, operating times can be significantly reduced depending on the level of contaminants in the environment
- » **Note! Operating time can be shortened in case of clogged filter under charged battery**

Certification EN 12941:1998+A1:2003+A2:2008

Certified by: APAVE SUDEUROPE SAS Notified Body 0082
13322 MARSEILLE
CEDEX 16
France

This PPE device complies with the following applicable EU standards:



EN 12941:1998+A1:2003+A2:2008
EN166B:2001
EN379:2003 +A1:2009 EN175B

Symbols:

Refer to the manufacturer's instruction manual:



Store between 0-40°C
(Degrees Celsius):



Storage until:



Maximum storage
Humidity <75%:



Filter Symbols:

R = this means the filter is reusable for more than one shift
S = means the filter protects against solid particles.
L = means the filter protect against liquid particles.

15. WARRANTY

The Guardian Air is guaranteed for a period of 12 months from date of purchase against mechanical or electrical defects. The Böhler battery is guaranteed for a period of 12 months from the date of manufacture.

voestalpine Böhler Welding undertakes to exchange or repair without charge, any part found to be defective within this period. Alternatively, and at its discretion voestalpine Böhler Welding may replace the part.

This guarantee is subject to:

Guardian Air has been used solely for the purpose for which it is intended.

Guardian Air has not been subject to misuse, accident, modification or repair.

N.B. In the event of a claim, contact the retailer from which the Guardian Air was purchased.

This guarantee does not cover normal wear and tear.

This guarantee does not affect your legal rights.

Guardian Air

GEBRAUCHSANLEITUNG FÜR PAPR-SYSTEM

Zugelassen nach BS EN 12941 : 1998 - A1:2003+A2:2008 TH3 - ATEMSCUTZGERÄTE - GEBLÄSEFILTERGERÄTE MIT EINER REIHE VON SCHWEISSHELMEN KLASSE TH3 P R SL

ÜBERSETZUNG DER GEBRAUCHSANWEISUNG

Der Hersteller behält sich das Recht vor, jederzeit und ohne vorherige Ankündigung Änderungen und Ergänzungen an dieser Gebrauchsanweisung vorzunehmen, die aufgrund von Druckfehlern, Ungenauigkeiten oder Produktverbesserungen erforderlich werden. Solche Änderungen werden jedoch in die nachfolgenden Ausgaben der Bedienungsanleitung eingearbeitet.

Unsere aktuellen Produktunterlagen sowie alle Kontaktdaten der **voestalpine Böhler Welding** finden Sie auf unserer Website unter: www.voestalpine.com/welding.

WICHTIG!

Diese Gebrauchsanleitung muss vor der Verwendung des Geräts gelesen und vollständig verstanden werden. Die Gebrauchsanleitung ist zu späteren Nachschlagezwecken aufzubewahren.

OBLIGATORISCHE INFORMATIONEN FÜR DIE VERWENDUNG EINER PAPR-EINHEIT (POWERED AIR PURIFYING RESPIRATOR) MIT SCHWEISSHELMEN

Es ist unbedingt erforderlich, dass diese Gebrauchsanleitungen bei Verwendung/Betrieb eines PAPR-Systems (Powered Air Purifying Respirator) genau befolgt werden. Die Nichtbeachtung dieser Anleitungen kann zum Erlöschen der Ihnen in Bezug auf die Produkte angebotenen oder bereitgestellten Garantie führen. Einzelheiten zu dieser Garantie entnehmen Sie bitte den Bestimmungen Ihres Kaufvertrags in Bezug auf das/die Produkt(e).

Die Produkte wurden entwickelt, um Ihre Gesundheit und Ihr Wohlbefinden zu schützen. Die Nichtbeachtung dieser Gebrauchsanleitung kann sich auch nachteilig auf Ihre Gesundheit/Ihr Wohlbefinden auswirken.

Bitte lesen Sie diese Gebrauchsanleitung sorgfältig durch, bevor Sie die Produkte auspacken.

Es wird keine Empfehlung hinsichtlich der Eignung dieses Produkts für Ihre Anforderungen gegeben. Bei Fragen in Bezug auf die Eignung dieses Produkts für Ihre Aufgaben wenden Sie sich bitte an einen Arbeitshygieniker.

Adress- und Kontaktinformationen finden Sie auf Seite 2.

INHALTSVERZEICHNIS

1. Einleitung
2. Anwendungsbereich
3. Zulassungen
4. Voraussetzungen für den Einsatz
5. Systemübersicht
6. Auspacken/Montage
7. Vor der Verwendung
8. Verwendung
9. Wartung/Reinigung
10. Störungssuche
11. Lagerung und Transport
12. Liste der zugelassenen Helmsysteme
13. Teileliste und Montagezeichnung
14. Technische Daten
15. Garantie

1. EINLEITUNG

Guardian Air ist ein Atemschutzsystem, das auf dem Grundsatz der Überdruckluftzirkulation im Helm basiert. Die am Gürtel befestigte Gebläseeinheit fördert Luft durch einen Filter und über einen Luftschlauch in einen Helm. Die zugeführte gefilterte Luft erzeugt im Inneren des Helms einen Überdruck, der verhindert, dass die kontaminierte Außenluft in die Atemzone des Anwenders gelangt.

2. ANWENDUNGSBEREICH

Das PAPR-System eignet sich für alle Anwendungen, bei denen die Zertifizierung nach EN 12941 zulässig ist. Das Gerät ist nicht zum Schweißen in engen Räumen geeignet. (Siehe 4. VORAUSSETZUNGEN FÜR DEN EINSATZ)

3. ZULASSUNGEN

Guardian Air wurde gemäß EN 12941:1998 - A1:2003+A2:2008 als ein P R SL Gerät der Schutzklasse TH3 entwickelt und hergestellt.

Der Leitfaden BS4275 (Implementierung eines wirksamen Atemschutzgeräteprogramms), den der Anwender lesen sollte, definiert ein P R SL Gerät der Schutzklasse TH3 laut der Norm EN 12941 mit einem Nennschutzfaktor von 500.

Das PAPR-System kann dieses Schutzniveau nur bieten, wenn es mit Filtern verwendet wird, die vom Hersteller als „Böhler“ und „EN 12941:1998 TH3P R SL“ gekennzeichnet sind.

Schweißhelme sind nach EN 175B zertifiziert.

Die PAPR-Systeme werden nach dem Qualitätssicherungssystem ISO 9001:2000 gefertigt.

4. VORAUSSETZUNGEN FÜR DEN EINSATZ

Guardian Air darf nur in Übereinstimmung mit dieser Gebrauchsanleitung und den mit dem jeweiligen Helm mitgelieferten Anweisungen verwendet werden.

Der Anwender muss alle folgenden „Gebrauchsanleitungen“ gelesen und verstanden haben, um das Atemschutzsystem richtig anwenden zu können. Bei Fragen wenden Sie sich bitte an die auf Seite 2 angegebenen Kontaktstellen des Herstellers.

Bei ausgeschaltetem PAPR ist mit wenig oder keinem Atemschutz zu rechnen. Wenn das PAPR-System ausgeschaltet ist, kann sich im Helm schnell Kohlendioxid ansammeln und Sauerstoff verbraucht werden. Daher **ist es wichtig, das Gebläse bei ausgeschaltetem System nicht zu verwenden.**

GUARDIAN AIR DARF IN DEN FOLGENDEN FÄLLEN NICHT VERWENDET WERDEN:

- » In einer Atmosphäre, die unmittelbar eine Gefahr für die Hygiene oder die Gesundheit des Anwenders darstellt und einen Sauerstoffgehalt von weniger als 19,5 % aufweist oder unbekannte Substanzen enthält.
- » In engen Räumen oder unbelüfteten Bereichen wie Tanks, Rohren, Kanälen usw.
- » In der Nähe von Flammen und/oder Funken.
- » In explosionsgefährdeten Bereichen.
- » In einem Gebiet mit starkem Wind.
- » Falls die Gebläseeinheit aus irgendeinem Grund nicht mehr funktioniert, muss der Anwender den kontaminierten Bereich sofort verlassen.

DARÜBER HINAUS MUSS GEWÄHRLEISTET WERDEN, DASS:

- » Nichts die beweglichen Teile berühren.
- » Das PAPR-System oder der Filter in keiner Weise modifiziert oder geändert werden.
- » Wasser oder andere Flüssigkeiten nicht in das Gerät gelangen – insbesondere in den Motor, Lüfter, Filter oder Akku.

Stellen Sie sicher, dass der Helm perfekt an das Gesicht des Anwenders angepasst ist. Nur dann ist die Wirksamkeit des Systems ausreichend. Der Schutzfaktor des Gesamtsystems verringert sich, wenn die Dichtung des Helms nicht richtig sitzt, z.B. weil Bärte oder lange Haare eine ordnungsgemäße Abdichtung verhindern.

Es besteht die Möglichkeit, dass sich die Schlauchverbindung zum Helm während des Gebrauchs verfängt. Das PAPR-System sollte so angelegt werden, dass diese Möglichkeit verringert wird.

Filter dürfen nicht direkt am Helm angebracht werden und sollten dazu nicht angepasst werden.

Wenn Teile der Ausrüstung auf irgendeine Weise modifiziert werden, kann kein korrekter Atemschutz bereitgestellt werden.

Bei sehr hohen Arbeitsgeschwindigkeiten kann der Druck im PAPR-System bei maximalem Inhalationsfluss negativ werden. Im Zweifelsfall sollte der Anwender das örtliche Gesundheits- und Sicherheitspersonal konsultieren und eine angemessene Gefährdungsbeurteilung durchführen.

PAPR-Systeme dürfen nur von kompetentem, geschultem Personal verwendet werden.

ACHTUNG!

Wenn eine dieser Bedingungen nicht eingehalten oder befolgt wird, erlischt die Garantie automatisch.

DEMANWENDER WIRD EMPFOHLEN, DEN KONTAMINIERTEN BEREICH SOFORT ZU VERLASSEN, WENN:

- » der MMDF-Alarm (Minimum Design Flow, Mindest-Nennvolumenstrom) des Herstellers ertönt.
- » Bei Auftreten von Atemnot
- » Bei Auftreten von Schwindel oder Beschwerden
- » Irgendein Teil des Systems beschädigt wird
- » Der Luftstrom in den Helm abnimmt oder stoppt
- » Im Helm Verunreinigungen gerochen oder geschmeckt werden können
- » Es ist nicht bekannt, dass Materialien, die mit der Haut des Anwenders in Berührung kommen können, allergische Reaktionen bei Personen auslösen. In dem unwahrscheinlichen Fall einer Reaktion sollte der Anwender jedoch den kontaminierten Bereich sofort verlassen, das Gerät entfernen und ärztlichen Rat einholen.

5. SYSTEMÜBERSICHT

Guardian Air ist ein am Gürtel montiertes Atemschutzgerät mit einem austauschbaren Einweg-Partikelfiltersystem mit hohem Wirkungsgrad. Das System ist mit den in Abschnitt 10 beschriebenen Helmen zertifiziert und deckt Kopfgrößen mit einem Umfang von 535 bis 600 mm ab.

Das PAPR-System umfasst einen wiederaufladbaren 8-Stunden-Akku. (8 Stunden in einer sauberen Umgebung – in einer Werkstatt kann die Zeit je nach Partikelgehalt in der Atmosphäre erheblich kürzer sein)

Guardian Air warnt den Anwender mit einem akustischen Alarm und blinkenden LEDs, wenn der Mindest-Nennvolumenstrom von 170 l/min unterschritten wird.

Falls der Alarm während des Betriebs ertönt, muss der Anwender den Arbeitsbereich sofort verlassen und einen als sicher eingestuften Bereich aufsuchen. Das PAPR-System umfasst einen visuellen Alarm bei niedriger Akkuladung und einen Mehrfachalarm (akustisch und optisch) bei blockiertem Filter. Abhängig von der Störung sollte der Anwender den Filter durch einen neuen ersetzen (in sehr staubigen Umgebungen muss der Filter häufig gewechselt werden) und den Akku aufladen oder gegen einen vollständig aufgeladenen ersetzen. Erst wenn das PAPR-System wieder mit ausgeschaltetem Alarm funktioniert und die Durchflussrate als akzeptabel getestet wurde, darf der Anwender zum Arbeitsplatz zurückkehren.

Der Filter wurde spezifisch für dieses Gerät entwickelt. Es wird verwendet, um die vom Anwender eingeatmete Luft zu filtern. Es ist wichtig, dass der Anwender den Filter auf Anzeichen von Beschädigungen oder Verformungen überprüft, durch die möglicherweise kontaminierte Luft in das System gelangen kann. Der Filter muss entsorgt werden, wenn dieser beschädigt oder verstopft ist und der Alarmmechanismus des Systems ausgelöst wird.

Bei dem verwendeten aufladbaren Akku handelt es sich um eine Lithium-Ionen-Zelle. Bei Anlieferung kann der Akku eine geringe Ladung enthalten. Das PAPR-System sollte vor dem ersten Gebrauch leer laufen und dann 16 Stunden lang aufgeladen werden.

6. AUSPACKEN/MONTAGE

6.1. Auspacken

Prüfen Sie, dass die Verpackung vollständig ist und keine Teile durch den Transport oder aus anderen Gründen beschädigt wurden.

Der Lieferumfang eines kompletten PAPR-Systems inklusive Zubehör umfasst:

- » Guardian Air inkl. Akku, P R SL Filter und Vorfilter
- » Gürtel
- » Luftschlauch
- » Luftstromanzeige
- » Akkuladegerät
- » Gebrauchsanleitung

6.2. Montage

Gebläseeinheit am Gürtel befestigen: Den inneren Riemen durch die Rückseite der Gebläseschlaufen führen. Anschließend durch die Gürtelschlaufen und dann die Schnalle führen. (Abb. 1 / Seite 4)

Den Akku an der Gebläseeinheit befestigen. (Abb. 3 / Seite 4)

6.2.1. So stellen Sie den Hüftgurt ein:

Legen Sie den Gürtel mit dem PAPR-System nach hinten um Ihre Taille und befestigen Sie die beiden Enden aneinander.

Wenn der Gurt zu locker ist, schieben Sie die Steckschnalle nach unten in Richtung der Buchsenschnalle. Wenn der Gurt zu stramm sitzt, schieben Sie die Steckschnalle von der Buchsenschnalle weg.

Wiederholen Sie die vorstehenden Schritte, bis der Gurt bequem und sicherer sitzt. Sobald der Gurt richtig sitzt, sichern Sie das überschüssige Gurtmaterial durch die Gurtschlaufen. (Abb. 5 / Seite 4)

6.2.2. Partikelfilter

Verwenden Sie nur von voestalpine Böhler Welding gelieferte Böhler-Filter. Die Verwendung anderer Filter führt zum Erlöschen der Garantie und/oder zu einer ernsthaften Gefahr für die Gesundheit des Anwenders, der die Produkte verwendet.

Zuvor sollte durch Rücksprache mit einem Arbeitshygieniker oder telefonisch mit der technischen Hotline des Herstellers bestätigt werden, ob die mit Böhler markierten Filter einen angemessenen Schutz vor der Gefährdung bieten.

Guardian Air ist mit hocheffizienten Partikelfiltern der Klasse P R SL ausgestattet.

Sobald der Warnalarm ertönt, sollte der Vorfilter ausgetauscht oder überprüft werden. In sehr staubigen Umgebungen kann dies häufig erforderlich sein.

Die Filter müssen regelmäßig überprüft (siehe 7.2. Luftstromprüfung) und ausgetauscht werden. Filter sind zum Austausch vorgesehen und dürfen nicht gereinigt/wiederverwendet werden.

Stellen Sie sicher, dass die neuen Filter ihr Verfallsdatum nicht überschritten haben, unbenutzt sind und keine offensichtlichen Schäden aufweisen.

Aus hygienischer Sicht beträgt die maximale Arbeitszeit eines Hauptfilters 2 Wochen oder 90 Stunden, je nachdem, welcher Wert größer ist. Dieser Wert sollte nicht überschritten.

WARNUNG!

Der Anwender sollte die Markierungen auf dem Filter, die sich auf eine andere Norm als EN12941 1998 -A1:2003+A2:2008 beziehen, keinesfalls mit der Klassifizierung des Geräts verwechseln, das mit diesem Filter verwendet wird.

6.2.3. Filter ausbauen und neue einsetzen

Öffnen Sie die Filterabdeckung, indem Sie die Abdeckung von der rechten Seite des Gebläses nach außen drücken. (Abb. 6/S.4)

ACHTUNG! Es ist strengstens untersagt, die Filterabdeckung mit Werkzeugen zu öffnen.

Um den Filter zu entfernen, ziehen Sie ihn aus dem Gerät heraus. Reinigen Sie das Gerät von Staub und achten Sie darauf, dass kein Staub in den Lufteinlass gelangt.

Setzen Sie den neuen Filter wieder ein. (Abb. 7 / S. 4) Drücken Sie ihn vorsichtig hinein, bis er gut auf dem Geräterkörper sitzt.

Schließen Sie die Filterabdeckung. Achten Sie besonders darauf, dass der Filterdeckel einrastet, wenn er richtig geschlossen ist. Versuchen Sie nicht, das Gebläse zu benutzen, wenn die Abdeckung nicht korrekt angebracht ist.

6.2.4. Vorfilter austauschen (Abb. 7 / Seite 4)

Der Vorfilter ist eine Vlies, das über dem Hauptfilter angebracht ist. Zum Entfernen / Austauschen einfach den alten Filter abziehen und den neuen in Position einlegen. Es ist darauf zu achten, dass das Filtermedium des Hauptfilters vollständig vom Vorfilter bedeckt ist.

6.2.5. So befestigen Sie den Schlauch am PAPR-System:

Richten Sie die Stifte des Schlauchbajonettanschlusses gegenüber den Schlitzten im Luftauslass des PAPR-Systems aus. Drücken Sie den Bajonettanschluss in das Gebläse, bis er den Boden der Buchse erreicht, und drehen Sie ihn dann im Uhrzeigersinn, bis die Positionierungsstifte einrasten.

Das Anbringen des Schlauchs am Helm erfolgt auf die gleiche Weise.

6.2.6. So legen Sie die Böhler Guardian Air Schweißhelme an:

1. Stellen Sie den Winkel des Schweißhelms ein und justieren Sie den Schweißfilter entsprechend. (Siehe die Gebrauchsanleitung des Helms)
2. Heben Sie den Helm nach oben.
3. Platzieren Sie ihn über dem Kopf und stellen Sie das Sperrrad der Kopfbedeckung ein, indem Sie es hineinschieben und drehen, bis eine zufriedenstellende Dichtheit erreicht ist.
4. Ziehen Sie den elastischen Kinnschutz zusammen mit dem Helm nach unten. Stellen Sie sicher, dass der elastische Kinnschutz bequem unter dem Kinn sitzt.
5. Der Schweißhelm ist jetzt einsatzbereit.

7. VOR DER VERWENDUNG

7.1 Inspektion vor der Verwendung:

Überprüfen Sie vor jedem Arbeitsbeginn folgendes:

- » Alle Komponenten sind in einem guten Zustand ohne sichtbare Schäden (wie Löcher, Risse usw.). Tauschen Sie alle beschädigten oder abgenutzten Bauteile aus. Untersuchen Sie den Luftschlauch, die Dichtungen und die Maske sorgfältig.
- » Es besteht eine gute Verbindung zwischen dem Luftschlauch und dem Helm sowie dem PAPR-System.
- » Der Luftstrom ist ausreichend. (siehe 7.2. Luftstromprüfung)
- » Die Luft wird durch das gesamte PAPR-System vom Gebläse zum Helm geleitet.
- » Laden Sie den Akku vor der ersten Verwendung auf und prüfen Sie vor jedem weiteren Gebrauch, ob der Akku ausreichend aufgeladen ist. (siehe 7.3. Akkus)
- » **Vergewissern Sie sich, dass die Alarmerkennungsfunktionen (siehe 8. Verwendung)**

7.2. Luftstromprüfung: (Abb. 4 / Seite 4)

1. Trennen Sie den Luftschlauch von der Gebläseeinheit.
2. Setzen Sie die Luftstromanzeige in den Luftschlauchanschluss ein und halten Sie den Schlauch etwa in Augenhöhe in senkrechter Position.
3. Schalten Sie das Netzteil ein. Der Luftstrom ist nur dann ausreichend, wenn die Kugelanzeige die Mindestdurchflussmenge erreicht. Wenn die Anzeige unter der Mindestdurchflussmenge sinkt, muss der Akku aufgeladen oder der Filter gewechselt werden. Wenn das Problem weiterhin besteht, finden Sie in Abschnitt 10 weitere Empfehlungen.

7.3. Akkus

HINWEIS! Die Akkus werden nur teilweise aufgeladen angeliefert. Alle Akkus müssen vor der ersten Verwendung aufgeladen werden. Der Akku kann separat oder in der Gebläseeinheit geladen werden.



Die Produkte dürfen ausschließlich mit dem im Lieferumfang der Produkte enthaltenen und vom Hersteller zugelassenen Akkuladegerät aufgeladen werden. Die Verwendung anderer Ladegeräte führt zum Erlöschen der Garantie und/oder zu einer ernsthaften Gefahr für die Gesundheit des Anwenders, der die Produkte verwendet.

Das Ladegerät darf nur für den Zweck verwendet werden, für den es hergestellt wurde. Laden Sie den Akku nicht in explosionsgefährdeten Bereichen auf. Das Ladegerät ist für den Gebrauch in Innenräumen vorgesehen. Es muss vor Feuchtigkeit geschützt werden. Das Ladegerät steuert den Ladevorgang automatisch. Nach dem Laden des Akkus wechselt das Ladegerät in den Erhaltungsladungsmodus und hält den Akku voll aufgeladen. Die Ladezeit beträgt 4 bis 6 Stunden.

7.3.1. Akku aufladen



1. Überprüfen Sie, dass die Spannung der Netzversorgung korrekt ist.
2. **Überprüfen Sie, dass die Produkte ausschließlich mit dem im Lieferumfang der Produkte enthaltenen und vom Hersteller zugelassenen Akkuladegerät aufgeladen werden. Es darf nur das mitgelieferte Ladegerät verwendet werden. Andernfalls besteht ernsthafte Brand- oder Explosionsgefahr.**
3. Schließen Sie das Ladegerät an eine Steckdose an. Entweder direkt in das Gebläse, wenn der Akku eingesetzt ist, oder direkt in den Akku.
4. Verbinden Sie den Akku mit dem Ladegerät. Die Buchse des Akkus befindet sich auf der Rückseite.
5. Der Ladezustand wird durch eine rote LED angezeigt.
6. Nach Abschluss des Ladevorgangs wird der Erhaltungsladungsmodus aktiviert - die rote LED erlischt und die grüne LED leuchtet, sobald in den Erhaltungsladungsmodus gewechselt wird.
7. Trennen Sie das Ladegerät von der Netzversorgung.

Lassen Sie das Ladegerät nicht an der Netzversorgung angeschlossen, wenn Sie es nicht benutzen!

7.3.2. Akku austauschen

So entfernen Sie den Akku:
Suchen Sie die Akkuverriegelung. Ziehen Sie die Akkuverriegelung zurück. Gleichzeitig kann jetzt die Batterie durch Anheben entfernt werden.

So setzen Sie den Akku ein:
Vergewissern Sie sich, dass der Akku richtig herum eingelegt ist (siehe 6.2) und schieben Sie ihn in die Gebläseeinheit, bis die Akkuverriegelung einrastet. Es ist wichtig, dass die Akkuverriegelung vollständig eingerastet ist. (Abb. 3 / Seite 4)

8. VERWENDUNG

Schalten Sie die Gebläseeinheit ein, indem Sie die EIN/AUS-Taste auf dem Bedienfeld drücken. Der Luftstrom kann durch Drücken der Tasten +/- von 180 l/min bis 220 l/min in sechs Geschwindigkeiten eingestellt werden. Die grünen LEDs zeigen die tatsächliche Luftstromstufe an. Bitte beachten Sie, dass bei jedem Tastendruck die Taste 2 Sekunden lang gedrückt werden

muss, damit der Luftstrom geändert wird. Dies dient dazu, versehentliche Änderungen zu vermeiden. (Abb. 2 / Seite 4)

Guardian Air sorgt für eine konstante Luftzufuhr. Der Mikroprozessor im Gerät regelt automatisch die Motordrehzahl, um das Verstopfen des Filters und den Akkuladestatus auszugleichen. Wenn der Mikroprozessor den eingestellten Luftstrom nicht aufrechterhalten kann, gibt das Gerät einen Piepton aus (ein akustisches Signal ist zu hören). Zu diesem Zeitpunkt muss der Anwender das PAPR-System überprüfen. Nach Möglichkeit reduziert der Mikroprozessor den Luftstrom automatisch auf die nächstniedrigere Stufe. Wenn dies nicht gelingt, ertönt der Alarm weiterhin. Wenn der Luftstrom unter den sicheren Mindestbetriebsgrenzwert sinkt, ertönt zusätzlich zu dem ersten ein zweiter akustischer Alarm. Zu diesem Zeitpunkt muss der Arbeit die Arbeit sofort einstellen, die Arbeitsumgebung verlassen, einen als sicher festgelegten Bereich aufsuchen und den Filter wechseln oder den Akku aufladen/austauschen.

Zur Überprüfung der Alarme muss der Luftauslass mit einer Handfläche oder einem anderen geeigneten Mittel abgedeckt werden. Nach Einschalten des PAPR-Systems versucht der Motor dann, dies durch Erhöhen der Drehzahl auszugleichen, bis der Mikroprozessor den Alarm wie oben beschrieben auslöst.

So prüfen Sie den Akku: Beim ersten Start des Geräts blinkt die LED für den Akku auf dem Bedienfeld rot und erlöschen dann. Wenn die LED weiterhin leuchtet, ist der Akku schwach und sollte aufgeladen. Es wird empfohlen, zu Beginn einer Arbeitsschicht nur einen voll aufgeladenen Akku zu verwenden.

Bei vollständig aufgeladenem Akku sollte das Gerät normal funktionieren. Wenn jedoch der akustische Alarm weiterhin ertönt, muss der Anwender den Filter wechseln. Wenn das Problem weiterhin besteht, finden Sie in Abschnitt 10 weitere Empfehlungen.

9. WARTUNG/REINIGUNG

Die Gebläseeinheit, das Filtergehäuse und der Helm müssen regelmäßig gereinigt werden, um einen ordnungsgemäßen Betrieb zu gewährleisten.

Wird das Gerät nur von einem Anwender benutzt, kann dieses mit einem mit lauwarmem Wasser und Seife angefeuchteten Tuch gereinigt werden.

Bei mehreren Anwendern sollten die Geräte desinfiziert werden, wenn sie von einem Anwender an einen anderen übergeben wird.

Flüssigkeiten dürfen nicht in das PAPR-System oder auf das Filterelement gelangen.

Teile sollten an der Luft getrocknet werden. Unter keinen Umständen dürfen Lösungsmittel oder scheuernde Reinigungsmittel verwendet werden. Das Gerät darf nicht mit heißer Luft oder Strahlungswärme getrocknet werden.

Das PAPR-System sollte während zwei bis drei Jahren einen Schutz entsprechend der konzipierten Spezifikation bieten, wenn es gemäß diesen Anleitungen gewartet wird. Vor jeder Verwendung sollte der Anwender prüfen, dass das PAPR-System frei von Mängeln wie etwa Rissen, gebrochenen Filtern und Schläuchen, gerissenen Visieren und Helmkomponenten ist.

10. STÖRUNGSSUCHE

Bei einer plötzlichen Änderung der Luftzufuhr während der Verwendung des Systems ist Folgendes zu überprüfen:

- » Alle Teile des Luftversorgungssystems sind richtig zusammengebaut.
- » Den Akku und dessen Anschluss
- » Defekte oder Fehlfunktionen des Akkus
- » Filter und Verstopfungen
- » Dass der Luftschlauch kein Loch aufweist.
- » Eventuelle Beschädigungen der Helmdichtung.
- » Ob sich die Arbeitszeit nach einem vollständigen Aufladen des Akkus verringert hat (wenn ja, muss der Akku ausgetauscht werden).

| STÖRUNG | WAHRSCHEINLICHE URSACHE | EMPFEHLUNG |
|---|--|--|
| Das PAPR-System funktioniert überhaupt nicht | <ul style="list-style-type: none"> » Vollständig entladener Akku (prüfen, ob die Gebläseeinheit mit einem anderen aufgeladenen Akku funktioniert) » Motor, Platine oder Anschluss defekt | <ul style="list-style-type: none"> » Akku aufladen (bei Fortbestehen des Problems Akku prüfen) » Händler kontaktieren. |
| Geringer Luftstrom | <ul style="list-style-type: none"> » Luftschlauch oder Luftleitung verstopft » Leckage » Akku unzureichend geladen » Filter oder Vorfilter blockiert | <ul style="list-style-type: none"> » Blockierung prüfen und beseitigen. Alle Dichtungen, Anschlüsse und den Luftschlauch prüfen. Sicherstellen, dass keine Luft durch Löcher oder Risse austreten kann. » Akku aufladen (bei Fortbestehen des Problems Akku prüfen) » Vorfilter austauschen. Bei Fortbestehen des Problems den Hauptfilter austauschen. |
| Kurze Betriebszeit | <ul style="list-style-type: none"> » Verstopfter Filter » Akku unzureichend geladen | <ul style="list-style-type: none"> » Filter austauschen » Akku aufladen. (Bei Fortbestehen des Problems Akku prüfen) |
| Akku kann nicht geladen werden | <ul style="list-style-type: none"> » Akkukontakt beschädigt » Ladegerät defekt | <ul style="list-style-type: none"> » Akkukontakt prüfen. » Händler kontaktieren |
| Akku kann nicht ausreichend aufgeladen werden | <ul style="list-style-type: none"> » Akku abgenutzt | <ul style="list-style-type: none"> » Neuen Akku einsetzen. |

11. LAGERUNG UND TRANSPORT

Bei Nichtgebrauch oder während des Transports sollten die Gebläse- und Kopfeinheiten in dem Behälter aufbewahrt werden, in dem sie angeliefert wurden. Alternativ kann ein ähnlicher Behälter verwendet werden, sodass sie keinem direkten Sonnenlicht ausgesetzt sind, nicht mit Lösungsmitteln in Berührung kommen und nicht durch physischen Kontakt mit harten Oberflächen/Gegenständen beschädigt werden können. Nicht außerhalb des Temperaturbereichs von +0 °C bis +40 °C oder bei einer Luftfeuchtigkeit über 75 % RH lagern.

12. ZUGELASSENE HELMSYSTEME (p. 5)

- 13 - Guardian 50M Air - 86669
- 13 - Guardian 50FM Air - 86682
- 13 - Guardian 62 Air - 57007
- 13 - Guardian 62F Air - 57029
- 14 - Big Vision Air - 73314

13. TEILELISTE UND MONTAGEZEICHNUNG (S. 5)

- 1 - Guardian Air (vollständiger Gebläsesatz) - 86692
- 2 - Motoreinheit - 86668
- 3 - P R SL Partikelfilter (4 Stck.) - 86645
- 4 - Vorfilter (10 Stck.) - 86655
- 5 - Funkenschutz - 86704
- 6 - Filterdeckel - 86657
- 7 - Standardakku (5.200 mAh) - 86660
- 7 - Schwerlastakku (7.800 mAh) - 57075
- 8 - Universal-Ladegerät - 57081
- 9 - Flexibler Luftschlauch inkl. Luftschlauchschutz - 57065
- 10 - Komfort-Gürtel - 57144
- 11 - Schultergurt - 57146
- 12 - Luftstromprüfer - 57184
- 15 - Visierabdichtung - 57182
- 16 - Böhler-Tasche (blau) - 57186
- 16 - Böhler-Tasche (schwarz) - 86702

14. TECHNISCHE DATEN

Guardian Air ist ein leichtes und einfach zu handhabendes PAPP-System. Es ist mit einem austauschbaren Partikelfilter ausgestattet. Das System bietet zuverlässigen Schutz vor Partikeln und Aerosolen.

- » Luftstrom: 180 bis 220 l/min. Bei einer Mindestdurchflussmenge von 170 l/min ertönt ein Alarm.
- » Gewicht mit Filter und Akku: 870 Gramm
- » Betriebstemperaturbereich 0 °C bis +40 °C
- » Filtertyp: P R SL
- » Akkutyp: Austauschbarer und wiederaufladbarer Li-Ion-Akku 7,4 V / 5.200 mAh
- » Ladezyklen > 350
- » Optischer Alarm bei niedriger Akkuspannung
- » Optischer und akustischer Alarm bei unzureichender Durchflussmenge (unter 170 l/min)
- » Nennschutzfaktor (Nominal Protection Factor - NPF) 500
- » Lärmpegel: 65 dB
- » Betriebszeit von mehr als 8 Stunden bei minimaler Durchflussrate mit einem neuen Filter und voll aufgeladenem Akku in einer sauberen Umgebung. (6 Stunden bei maximaler Durchflussrate). In der Praxis können die Betriebszeiten abhängig vom Verschmutzungsgrad der Umgebung erheblich kürzer sein.
- » **Hinweis! Die Betriebszeit kann verkürzt werden, wenn der Filter bei aufgeladenem Akku verstopft ist.**

Zertifizierung EN 12941:1998+A1:2003+A2:2008

Zertifiziert durch: APAVE SUDEUROPE SAS benannte Stelle 0082
13322 MARSEILLE
CEDEX 16
Frankreich

Dieses PSA-Gerät entspricht den folgenden anwendbaren EU-Normen:



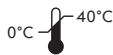
EN 12941:1998+A1:2003+A2:2008
EN166B:2001
EN379:2003 +A1:2009 EN175B

Symbole:

Siehe Gebrauchsanleitungen des Herstellers:



Zwischen 0 und 40 °C lagern (Celsius):



Lagerfähig bis:



Maximale Lagerfeuchtigkeit < 75 %:



Filtersymbole:

R = der Filter kann für mehr als eine Schicht wiederverwendet werden.

S = der Filter schützt vor festen Partikeln.

L = der Filter schützt vor flüssigen Partikeln.

15. GARANTIE

Für den Guardian Air gilt eine Garantie von 12 Monaten ab Kaufdatum gegen mechanische oder elektrische Defekte. Für den Böhler-Akku gilt eine Garantie von 12 Monaten ab Herstellungsdatum.

voestalpine Böhler Welding verpflichtet sich, Teilen kostenlos auszutauschen oder zu reparieren, die sich innerhalb dieser Frist als defekt herausstellen. Alternativ und nach eigenem Ermessen kann voestalpine Böhler Welding einen Ersatz anbieten.

Diese Garantie unterliegt folgenden Bedingungen:

Guardian Air wurde ausschließlich für den vorgesehenen Zweck verwendet.

Guardian Air wurde nicht missbraucht, unfallbedingt verändert oder repariert.

Hinweis: Wenden Sie sich im Schadensfall an den Händler, von dem Sie Guardian Air erworben haben.

Diese Garantie gilt nicht für normalen Verschleiß.

Diese Garantie hat keine Auswirkungen auf etwaige gesetzliche Rechte.

Guardian Air

MANUAL DE INSTRUCCIONES DE USO DE SISTEMAS PAPR

Homologado para la BS EN 12941 : 1998 - A1:2003+A2:2008 TH3
DISPOSITIVO DE PROTECCIÓN RESPIRATORIA: DISPOSITIVO DE FILTRACIÓN A BATERÍA QUE INCORPORA UNA SERIE DE PANTALLAS DE SOLDADURA
CLASE TH3 P R SL

TRADUCCIÓN DE LAS INSTRUCCIONES DE USO

El fabricante se reserva el derecho, en cualquier momento y sin previo aviso, de realizar los cambios y modificaciones en estas instrucciones de uso que sean necesarios debido a errores de imprenta, inexactitudes o mejoras del producto. No obstante, dichos cambios se incorporarán a las ediciones posteriores del manual de instrucciones.

La documentación más reciente de nuestros productos, así como todos los datos de contacto de **voestalpine Böhler Welding**, se encuentran en nuestra página web: www.voestalpine.com/welding.

¡IMPORTANTE! Este manual de instrucciones de uso debe leerse y entenderse completamente antes de usar el equipo. El manual de instrucciones de uso debe guardarse para su consulta en el futuro.

INFORMACIÓN OBLIGATORIA PARA EL USO DEL RESPIRADOR PURIFICADOR DE AIRE A BATERÍA CON PANTALLAS DE SOLDADURA

Es indispensable que se sigan rigurosamente estas instrucciones de uso al utilizar y manipular un sistema PAPR (respirador purificador de aire a batería, por sus siglas en inglés). El incumplimiento de estas instrucciones puede invalidar toda protección de garantía disponible para el(los) producto(s). Consulte las condiciones de su contrato de compra con respecto al(a) los) producto(s) para ver los detalles específicos de dicha garantía.

El(los) producto(s) está(n) diseñado(s) para proteger su salud y su bienestar. El incumplimiento de estas instrucciones de uso puede también afectar a su salud y a su bienestar negativamente.

Lea atentamente estas instrucciones de uso antes de abrir el(los) producto(s).

No se da ninguna recomendación relativa a la idoneidad del producto para sus necesidades. Si tiene alguna pregunta con respecto a la idoneidad de este producto para su trabajo, póngase en contacto con un higienista ocupacional.

La dirección de contacto se encuentra impresa en la página 2.

ÍNDICE

1. Introducción
2. Gama de aplicaciones
3. Normas
4. Condiciones previas para el uso
5. Información general del sistema
6. Desempaquetado y montaje
7. Antes de su utilización
8. Utilización
9. Mantenimiento y limpieza
10. Localización de fallos
11. Almacenamiento y transporte
12. Lista de conjuntos de pantallas certificadas
13. Lista de piezas y esquema de montaje
14. Datos técnicos
15. Garantía

1. INTRODUCCIÓN

El Guardian Air es un sistema de protección respiratoria que se basa en el principio de aire en circulación sobre aire a presión en la pantalla. El ventilador en el cinturón suministra aire a través de un filtro y dentro de la pantalla mediante una manguera de aire. El suministro de aire filtrado crea una presión positiva dentro de la pantalla, lo que previene la entrada de aire contaminado del exterior en la zona de respiración del usuario.

2. GAMA DE APLICACIONES

El sistema PAPR es adecuado para todas las aplicaciones que acepten la certificación EN12941. La unidad no es adecuada para soldar en espacios reducidos. (Vea el apartado 4. Condiciones previas para el uso)

3. NORMAS

El Guardian Air se ha diseñado y fabricado en cumplimiento con la EN12941: 1998 - A1:2003+A2:2008 como dispositivo TH3 P R SL.

El usuario debe leer la BS4275 (Guía para la puesta en marcha de un programa eficaz del dispositivo de protección respiratoria), en la que se define un dispositivo EN12941 TH3 P R SL como un factor de protección nominal de 500.

El sistema PAPR solo puede ofrecer este nivel de protección al usarse con los filtros que proporciona el fabricante con marca «Böhler» y «EN12941:1998 TH3P R SL».

Las pantallas de soldadura están certificadas por la norma EN 175B.

Los sistemas PAPR se fabrican de conformidad con el Sistema de calidad ISO 9001:2000.

4. CONDICIONES PREVIAS PARA EL USO

El Guardian Air debe usarse únicamente de acuerdo con este manual de instrucciones de uso y las instrucciones proporcionadas con la pantalla correspondiente.

El usuario debe leer y entender bien todas las «Instrucciones de uso» que se dan a continuación para poder usar el sistema de protección respiratoria correctamente. Cualquier pregunta que le surja debe dirigirla a los puntos de contacto del fabricante que aparecen en la página 2.

Cuando el PAPR esté apagado, la protección respiratoria será escasa o nula. Cuando el sistema PAPR esté apagado, puede producirse una acumulación rápida de dióxido de carbono y una reducción del oxígeno dentro de la pantalla, por lo que **es fundamental no usar el ventilador cuando esté apagado.**

EL GUARDIAN AIR NO DEBE USARSE:

- » En una atmósfera con un peligro inmediato para la higiene o la salud del usuario o cuyo contenido de oxígeno sea inferior al 19,5 %, o contenga sustancias desconocidas.
- » En espacios reducidos o en zonas sin ventilación como depósitos, tuberías, canales, etc.
- » Cerca de llamas o chispas.
- » En zonas donde exista peligro de explosión.
- » En una zona donde haya fuertes vientos.
- » Si el ventilador deja de funcionar por cualquier motivo, el usuario debe dejar la zona contaminada inmediatamente.

TAMBIÉN ES FUNDAMENTAL:

- » Evitar que nada toque las partes en movimiento.
- » No se debe intentar modificar o alterar el sistema PAPR o el filtro de ningún modo.
- » Ni agua ni otros líquidos deben entrar en la unidad de ningún modo; en particular, en el motor o el ventilador, el filtro o la batería.

Asegúrese de que la pantalla se ajusta a la cara del usuario perfectamente. Solo entonces el sistema tendrá la eficacia adecuada. El factor protector del sistema completo se reduce si la junta de la pantalla no se ajusta correctamente; por ejemplo, debido a la presencia de barba o pelo en la línea de sellado.

Es posible que la manguera que va a la pantalla quede atrapada durante el uso. El sistema PAPR debe estar colocado en la persona de modo que se reduzca esta posibilidad.

Los filtros no pueden ajustarse directamente en la pantalla y no deben adaptarse para que lo hagan.

No se producirá una protección respiratoria correcta si alguna pieza del equipo se modifica de algún modo.

A ritmos de trabajo muy elevados, la presión en el sistema PAPR puede volverse negativa en el caudal máximo de inhalación. Si el usuario tiene alguna duda, debe consultar al personal local de salud y seguridad, así como las evaluaciones de riesgos asumido aceptables.

Los sistemas PAPR solo deben ser utilizados por personal competente y formado.

¡ATENCIÓN!

Si alguna de estas condiciones no se mantiene o sigue, la garantía quedará invalidada automáticamente.

EL USUARIO DEBE ABANDONAR LA ZONA CONTAMINADA INMEDIATAMENTE SI:

- » la alarma del caudal mínimo de diseño del fabricante (MMDF) suena;
- » tiene problemas para respirar;
- » siente mareos o malestar;
- » se daña alguna parte del sistema;
- » el caudal de aire en la pantalla disminuye o se detiene;
- » o si nota la presencia de algún contaminante en la pantalla.
- » No se conocen reacciones alérgicas causadas por los materiales que pueden entrar en contacto con la piel del usuario en la mayoría de los casos, pero en la circunstancia poco probable de una reacción, el usuario debe dejar la zona contaminada inmediatamente, quitarse la unidad y buscar asistencia sanitaria.

5. INFORMACIÓN GENERAL DEL SISTEMA.

El Guardian Air es un respirador a batería con cinturón con un sistema de filtro de partículas reemplazable de alta eficacia. El sistema está certificado para su uso con las pantallas que aparecen en la sección 10 y que abarcan tamaños de cabeza de 535 a 600 mm de circunferencia.

El sistema PAPR contiene un paquete de batería de 8 horas recargable y extraíble (8 horas en un ambiente limpio; en un taller el tiempo puede verse reducido significativamente según los niveles de partículas en la atmósfera).

El Guardian Air avisará al usuario mediante una alarma sonora y luces LED parpadeantes cuando no se alcance el MMDF (el caudal mínimo de diseño, por sus siglas en inglés) de 170 l/min.

En funcionamiento, cuando la alarma suene, el usuario debe dejar la zona de trabajo inmediatamente y dirigirse a una zona considerada segura. El sistema PAPR tiene una alarma visual para el nivel bajo de batería y una alarma múltiple, audible y visual, para cuando un filtro se haya obstruido. Según el error, el usuario deberá reemplazar el filtro por uno nuevo (en ambientes con mucho polvo, el filtro deberá cambiarse con frecuencia) o bien recargar la batería o cambiarla por una completamente cargada. Solo cuando el sistema PAPR tenga la alarma apagada y se haya comprobado que el caudal es aceptable, el usuario podrá volver al lugar de trabajo.

El filtro se ha diseñado especialmente para esta unidad. Se usa para filtrar el aire que el usuario va a respirar. Es fundamental que el usuario compruebe el filtro en busca de cualquier señal de daño o deformación que pueda potencialmente dejar entrar aire contaminado en el sistema. El filtro debe desecharse si se daña o se obstruye hasta el punto de accionar el mecanismo de alarma del sistema.

La batería recargable extraíble es una celda de ion de litio. La batería puede contener una pequeña carga cuando sea suministrada, por lo que el sistema PAPR debe descargarse y cargarse entonces durante dieciséis horas antes de su primer uso.

6. DESEMPAQUETADO Y MONTAJE

6.1. Desempaqueado

Compruebe que el paquete esté completo y que ninguna pieza se haya dañado a causa del transporte o por otras razones.

Un paquete con el sistema PAPR completo junto con los accesorios contiene:

- » El Guardian Air con una batería, un filtro P R SL (de partículas sólidas y líquidas, por sus siglas en inglés) y un prefiltro.
- » Cinturón
- » Manguera de aire
- » Indicador del caudal de aire
- » Cargador de la batería
- » Instrucciones de uso

6.2. Montaje

Acople el ventilador en el cinturón: pase la correa interior por detrás de los circuitos del ventilador. Luego pásela por las trabillas y la hebilla. (Figura 1 / pág. 4)

Encaje la batería en el ventilador. (Figura 3 / pág. 4)

6.2.1. Ajuste del cinturón:

ponga el cinturón alrededor de su cintura con el sistema PAPR a la espalda y una los dos extremos.

Si el cinturón queda muy suelto, deslice la parte con la hebilla parcialmente por el otro extremo del cinturón. Si el cinturón queda muy ajustado, saque parcialmente la parte con la hebilla hacia el inicio del otro extremo del cinturón.

Repita los procesos descritos hasta que quede ajustado de manera cómoda y segura. Una vez que el cinturón esté ajustado correctamente, asegure el material sobrante del cinturón en las trabillas. (Figura 5 / pág. 4)

6.2.2. Filtro de partículas

Use únicamente filtros de la marca Böhler suministrados por voestalpine Böhler Welding. El uso de cualquier otro filtro causará la invalidación de la protección de garantía y un grave riesgo para la salud del usuario que opere el(los) producto(s).

Debe cerciorarse primero consultando a un técnico en higiene o llamando a la línea telefónica de ayuda técnica del fabricante sobre si los filtros de la marca Böhler ofrecerán una protección adecuada frente al peligro en cuestión.

El Guardian Air está equipado con un filtro de partículas de alta eficacia de clase P R SL.

Debe cambiar o comprobar el prefiltro tan pronto como suene la alarma. En zonas con mucho polvo puede que sea necesario hacerlo con frecuencia.

Los filtros deben comprobarse con regularidad (vea el apartado 7.2. Prueba del caudal de aire) y reemplazarse. Los filtros están diseñados para su sustitución y no deben limpiarse o reutilizarse.

Asegúrese de que los nuevos filtros no han alcanzado su fecha de vencimiento, no se han usado y no muestran daños evidentes. Desde el punto de vista higiénico, el tiempo máximo de trabajo de un filtro principal es de dos semanas o noventa horas, el periodo que sea mayor, y no debe excederse.

¡ADVERTENCIA!

Es fundamental que el usuario no confunda el marcado del filtro relativo a cualquier otra norma distinta a la EN12941 1998 -A1:2003+A2:2008, con la clasificación del dispositivo cuando se use con este filtro.

6.2.3. Extracción de los filtros y colocación de los nuevos

Abra la tapa del filtro tirando de ella hacia fuera desde el lado derecho del soplador. (Figura 6 / pág. 4)

¡ATENCIÓN! Está estrictamente prohibido utilizar cualquier herramienta para abrir la tapa del filtro.

Para retirar el filtro, tire de él para sacarlo de la unidad. Limpie la unidad de polvo asegurándose de que no entre polvo en la entrada de aire.

Vuelva a colocar el nuevo filtro en su posición. (Figura 7 / pág. 4) Empújelo suavemente hasta que encaje bien en el cuerpo de la unidad.

Cierre la tapa del filtro. Preste especial atención, la tapa del filtro encajará en su sitio cuando esté bien cerrada. No intente utilizar la unidad de soplado sin que la tapa esté bien colocada.

6.2.4. Cambio del prefiltro (Figura 7 / pág. 4)

El prefiltro es una funda que se coloca sobre el filtro principal. Para quitarlo/sustituirlo, basta con retirar el filtro viejo y estirar el nuevo en su posición. Es importante asegurarse de que el medio filtrante del filtro principal quede completamente cubierto por el prefiltro.

6.2.5. Acoplamiento de la manguera al sistema PAPR:

Alinee las clavijas del conector de bayoneta de la manguera con las ranuras en la salida de aire del sistema PAPR. Empuje el conector de bayoneta en el ventilador hasta que alcance el fondo del agujero y luego gire en la dirección de las agujas del reloj hasta que los pasadores de fijación se coloquen en posición.

Para ajustar la manguera a la pantalla siga el mismo procedimiento.

6.2.6. Ponerse las pantallas Böhler Guardian Air:

1. Fije la inclinación de las pantallas de soldadura y ajuste el filtro de soldadura para adaptarlo. (Vea las instrucciones de uso de la pantalla)
2. Levante la pantalla hasta su posición más elevada.
3. Colóquela por encima de la cabeza y ajuste la rueda dentada del casco pulsándola y girándola hasta alcanzar la firmeza deseada.
4. Tire de la protección elástica de la barbilla hacia abajo y empuje la pantalla hacia abajo a la vez. Asegúrese de que la protección elástica de la barbilla se ajusta cómodamente bajo su barbilla.
5. La pantalla de soldadura está lista ahora para su uso.

7. ANTES DE SU UTILIZACIÓN

7.1. Inspección antes de su uso:

Compruebe siempre, antes de empezar a trabajar, que:

- » todos los componentes están en buenas condiciones sin daños visibles (como grietas, desgarros, etc.). Reemplace cualquier pieza dañada o desgastada. Examine cuidadosamente la manguera de aire y la pieza facial.
- » Debe existir una buena conexión entre la manguera de aire y la pantalla, además del sistema PAPR.
- » Debe existir un buen caudal de aire. (Vea el apartado 7.2. Prueba del caudal de aire)
- » El aire debe suministrarse por todo el sistema PAPR, desde el ventilador a la pantalla.
- » Cargue la batería antes del primer uso y compruebe que la batería tiene carga suficiente antes de cada uso posterior. (Vea el apartado 7.3. Baterías)
- » **Asegúrese de que las alarmas funcionan correctamente (vea 8. Utilización)**

7.2. Prueba del caudal de aire (Figura 4 / pág. 4)

1. Desconecte la manguera de aire del ventilador.
2. Inserte el indicador del caudal de aire en el conector de la manguera de aire y mantenga la manguera en posi-

ción vertical al nivel de los ojos aproximadamente.

3. Encienda la unidad de alimentación. El caudal de aire será suficiente únicamente si el indicador de esfera alcanza el nivel mínimo de caudal. Si el indicador baja por debajo del nivel mínimo de caudal, es necesario cargar la batería o cambiar el filtro. Si el problema persiste, vea el capítulo 10 con otras sugerencias.

7.3. Baterías

NOTA Las baterías se entregan solo parcialmente cargadas. Todas las baterías deben cargarse antes de su primer uso. La batería puede cargarse por separado o en el ventilador.

ADVERTENCIA

Es indispensable que el cargador de la batería que se usa para cargar el(los) producto(s) sea la entregada con el(los) producto(s) y sea un cargador de batería aprobado por el fabricante. Usar cualquier otro cargador de batería causará la invalidación de la protección de garantía y un grave peligro para la salud del usuario que opere el(los) producto(s) por incendio o explosión.

El cargador no debe usarse para ninguna otra finalidad que no sea para la que se ha fabricado. No cargue la batería en una atmósfera potencialmente explosiva. El cargador de la batería se ha diseñado para usarse en espacios interiores. Debe protegerse contra la humedad. El cargador controla la carga automáticamente. Una vez que la batería está cargada, el cargador cambia al modo de carga lenta y mantiene la batería completamente cargada. El tiempo de carga es de entre 4 y 6 horas.

7.3.1. Carga de la batería

ADVERTENCIA

1. Compruebe que el voltaje del suministro eléctrico es correcto.
2. **Compruebe que el cargador de la batería que se usa para cargar el(los) producto(s) sea la entregada con el(los) producto(s) y sea un cargador de batería aprobado por el fabricante. Es fundamental que solo se utilice el cargador suministrado. De no ser así, puede existir un grave riesgo de incendio o explosión.**
3. Conecte el cargador al enchufe. Puede hacerlo desde el ventilador con la batería dentro o en la batería directamente.
4. Conecte la batería al cargador. El enchufe de la batería se encuentra en la parte posterior.
5. Una luz LED roja indica el estado de la batería.
6. Tras su carga completa, se activa el modo de carga lenta:
 - la luz LED roja se apaga y el LED verde se enciende en el momento de la carga lenta.
7. Desconecte el cargador de la fuente de alimentación.

No deje el cargador de la batería en la fuente de alimentación si no está en uso.

7.3.2. Cambio de la batería

Extracción de la batería:
encuentre el compartimento de la batería. Tire del pestillo de la batería y podrá extraerla tirando hacia arriba a la vez.

Colocación de la batería: (Figura 3 / pág. 4)
asegúrese de que la batería se encuentra de forma correcta hacia arriba (como se indica en el apartado 6.2.) y luego introduzca en el ventilador hasta que el pestillo encaje. Es fundamental que el pestillo de la batería esté totalmente cerrado.

8. UTILIZACIÓN

Encienda el ventilador pulsando el botón de ENCENDIDO/APAGADO del panel de control. El caudal de aire puede ajustarse pulsando los botones de + / - desde los 180 l/min hasta los 220 l/min en seis velocidades. El diodo LED verde muestra el nivel real del caudal de aire. Tenga en cuenta que cada vez que pulsa un botón es necesario mantenerlo pulsado durante dos segundos para que la acción tenga lugar. Así se evitan los cambios accidentales. (Figura 2 / pág. 4)

El Guardian Air garantiza un suministro de aire constante. El microprocesador dentro de la unidad regula automáticamente la velocidad del motor para compensar la obstrucción del filtro y el estado de la batería. Si el microprocesador no puede mantener el caudal de aire seleccionado, la unidad activará una alarma intermitente (se oír una señal acústica); en ese momento el usuario debe comprobar el sistema PAPER. Si es posible, el microprocesador reduce automáticamente el caudal de aire al siguiente nivel inferior; si no alcanza el nivel inferior, la alarma se activará. Cuando el caudal de aire baje por debajo del nivel operacional mínimo seguro, una segunda alarma sonora se unirá a la primera. En ese momento, el usuario debe dejar de trabajar inmediatamente, salir del ambiente de trabajo y dirigirse a una zona segura donde cambiar el filtro, o cargar o cambiar la batería.

Para comprobar las alarmas es necesario bloquear la salida de aire con la palma de la mano o mediante otro medio adecuado. Después, con el sistema PAPER encendido, el motor intentará compensar el aumento de la velocidad hasta que el microprocesador active la alarma como se ha explicado anteriormente.

Para comprobar la batería: al encender la unidad por primera vez, el LED de la batería parpadeará en rojo en el panel de control para luego apagarse; si la luz permanece encendida es un indicativo de batería baja y debe cargarse. Se recomienda que solo se use una batería totalmente cargada al iniciar un turno de trabajo.

Con una batería totalmente cargada, la unidad debe funcionar de manera normal, pero si aún así se activa la alarma sonora, el usuario debe cambiar el filtro. Si el problema persiste, vea el capítulo 10 con otras sugerencias.

9. MANTENIMIENTO Y LIMPIEZA

El ventilador, la carcasa del filtro y la pantalla deben limpiarse regularmente para mantenerlos en buen estado de funcionamiento.

En el caso de un único usuario, la unidad puede limpiarse con un trapo húmedo con agua tibia y jabón.

En el caso de múltiples usuarios, la unidad debe desinfectarse al pasar de un usuario a otro.

Ningún líquido debe entrar en el funcionamiento del sistema PAPER o entrar en el filtro.

Las piezas deben secarse al aire. En ningún caso se usarán agentes de limpieza abrasivos o solventes. La unidad no debe secarse usando aire caliente o calor irradiado.

El sistema PAPER debería proporcionar protección para las funciones especificadas durante 2 o 3 años si se mantiene de acuerdo con estas instrucciones. Antes de cada uso, el usuario debe comprobar que el sistema PAPER no tiene ningún defecto, como grietas, fracturas en los filtros o en las mangueras, visores agrietados y los componentes de la pantalla según proceda.

10. LOCALIZACIÓN DE FALLOS

Si se produce un cambio repentino en el suministro de aire al usar el sistema, es necesario comprobar lo siguiente:

- » que todas las partes del sistema de suministro de aire estén montadas correctamente;
- » la batería y su conector;
- » si la batería está defectuosa o tiene un mal funcionamiento;
- » los filtros y sus obstrucciones;
- » que no haya un agujero en la manguera de aire;
- » si el cierre de la pantalla se ha dañado;
- » o si el tiempo de trabajo tras una recarga total de la batería ha disminuido (en ese caso, es necesario reemplazar la batería).

| FALLO | POSIBLE CAUSA | RECOMENDACIÓN |
|--|--|---|
| El sistema PAPR no funciona en absoluto. | <ul style="list-style-type: none"> » Batería totalmente descargada (comprobar si el ventilador funciona con otra batería cargada) » Motor, tarjeta de circuito o conector defectuoso | <ul style="list-style-type: none"> » Cargue la batería (si el problema persiste, compruebe la batería). » Póngase en contacto con su distribuidor. |
| Caudal de aire bajo | <ul style="list-style-type: none"> » Manguera de aire o conducto obstruido » Fuga » La batería no está lo suficientemente cargada. » Filtro o prefiltro obstruido | <ul style="list-style-type: none"> » Compruebe y retire la obstrucción. Compruebe todas las juntas, los conectores y la manguera de aire. Asegúrese de que el aire no se filtra por agujeros o grietas. » Cargue la batería (si el problema persiste, compruebe la batería). » Cambie el prefiltro. Si el problema persiste, cambie el filtro principal. |
| Tiempo de funcionamiento corto | <ul style="list-style-type: none"> » Filtro obstruido » La batería no carga correctamente. | <ul style="list-style-type: none"> » Cambie los filtros. » Cambie la batería (si el problema persiste, compruebe la batería). |
| La batería no puede cargarse. | <ul style="list-style-type: none"> » El contacto de la batería está dañado. » El cargador está defectuoso. | <ul style="list-style-type: none"> » Compruebe el contacto de la batería. » Póngase en contacto con su distribuidor. |
| La batería no puede cargarse de manera suficiente. | <ul style="list-style-type: none"> » La batería está agotada. | <ul style="list-style-type: none"> » Instale una nueva batería. |

11. ALMACENAMIENTO Y TRANSPORTE

Cuando no esté en uso o al transportarlo, el ventilador y las unidades principales deben guardarse en el contenedor donde se suministraron u otro similar, de modo que estén protegidos de la luz solar directa, no estén en contacto con solventes y no puedan dañarse mediante contacto directo con objetos o superficies rígidas. No lo almacene en un rango de temperatura que no esté entre +0° C y +40° C ni con una humedad relativa por encima del 75 %.

12. CONJUNTOS DE PANTALLAS CERTIFICADAS (pág. 5)

- 13 - Guardian 50M Air - 86669
- 13 - Guardian 50FM Air - 86682
- 13 - Guardian 62 Air - 57007
- 13 - Guardian 62F Air - 57029
- 14 - Big Vision Air - 73314

13. LISTA DE PIEZAS Y ESQUEMA DE MONTAJE (pág. 5)

- 1 - Guardian Air (kit del ventilador completo) - 86692
- 2 - Unidad de motor - 86668
- 3 - Filtro de partículas P R SL (4 piezas) - 86645
- 4 - Prefiltro (10 piezas) - 86655
- 5 - Protección contra chispas - 86704
- 6 - Funda del filtro - 86657
- 7 - Batería estándar (5200 mAh) - 86660
- 7 - Batería de alta capacidad (7800 mAh) - 57075
- 8 - Cargador universal - 57081
- 9 - Manguera de aire flexible con protección incluida - 57065
- 10 - Cinturón de apoyo - 57144
- 11 - Arnés para los hombros - 57146
- 12 - Probador del caudal de aire - 57184
- 15 - Pantalla facial hermética - 57182
- 16 - Bolsa de Böhler (azul) - 57186
- 16 - Bolsa de Böhler (negro) - 57186

14. DATOS TÉCNICOS

El Guardian Air es un sistema PAPR (respirador purificador de aire a batería, por sus siglas en inglés) ligero y de fácil manejo. Está equipado con un filtro de partículas reemplazable. El sistema proporciona una protección fiable frente a partículas y aerosoles.

- » Caudal de aire: de 180 a 220 l/min con un caudal mínimo de 170 l/min para que la alarma suene.
- » Peso con el filtro y la batería: 870 gramos
- » Temperatura de funcionamiento entre 0° C y +40° C.
- » Tipo de filtro: P R SL
- » Tipo de batería: de ion de litio, reemplazable y recargable de 7,4 V / 5200 mAh
- » Ciclos de carga > 350 r
- » Alarma visual por voltaje bajo de la batería
- » Alarmas visuales y sonoras por caudal insuficiente (por debajo de 170 l/min)
- » Factor de protección nominal (Nominal Protection Factor = NPF) 500
- » Nivel de ruido: 65 dB
- » Tiempo de funcionamiento superior a 8 horas con un caudal mínimo, un filtro nuevo y una batería totalmente cargada en un ambiente limpio (6 horas con un caudal máximo). En el uso real, los tiempos de funcionamiento pueden verse reducidos significativamente según el nivel de contaminantes en el ambiente.
- » **Nota: el tiempo de funcionamiento puede ser menor en el caso de que un filtro esté obstruido con la batería cargada.**

Certificación EN 12941:1998+A1:2003+A2:2008

Certificado por: APAVE SUDEUROPE SAS Entidad notificada 0082
13322 MARSEILLE
CEDEX 16
Francia

Este dispositivo EPI cumple con la siguientes normas aplicables de la UE:



EN 12941:1998+A1:2003+A2:2008
EN166B:2001
EN379:2003 +A1:2009 EN175B

Símbolos

consulte el manual de instrucciones del fabricante:



almacenamiento entre 0-40° C (grados Celsius):



almacenamiento hasta:



almacenamiento máximo Humedad <75 %



Símbolos del filtro:

R: significa que el filtro es reutilizable durante más de un turno
S: significa que el filtro protege de las partículas sólidas.
L: significa que el filtro protege de las partículas líquidas.

15. GARANTÍA

El Guardian Air cuenta con una garantía de 12 meses desde la fecha de compra contra defectos mecánicos o eléctricos. La batería Böhler cuenta con una garantía de 12 meses desde la fecha de fabricación.

voestalpine Böhler Welding se compromete a cambiar o reparar sin coste cualquier pieza que presente algún defecto durante este período. De manera alternativa, y a su criterio, voestalpine Böhler Welding podría reemplazarla. Esta garantía está sujeta a: que el Guardian Air se use únicamente para la finalidad prevista; y que el Guardian Air no se exponga a un uso incorrecto, accidente, modificación o reparación.

Nota: en el caso de una reclamación, póngase en contacto con el distribuidor al que compró el Guardian Air. El desgaste normal queda excluido de la garantía. Esta garantía no afecta a sus derechos jurídicos.

Guardian Air

MANUEL D'INSTRUCTION DE L'UTILISATEUR POUR LES SYSTÈMES PAPR

Approuvé selon BS EN 12941 : 1998 - A1:2003+A2:2008 TH3

DISPOSITIF DE PROTECTION RESPIRATOIRE – DISPOSITIF DE FILTRAGE ALIMENTÉ, INCORPORANT UNE SÉRIE DE CASQUES DE SOUDAGE
CLASSE TH3 P R SL

TRADUCTION DES INSTRUCTIONS POUR L'UTILISATEUR

Le fabricant se réserve le droit, à tout moment et sans préavis, d'apporter les changements et les modifications nécessaires à ces instructions d'utilisation en raison de fautes d'impression, d'inexactitudes ou d'améliorations du produit. Ces modifications seront toutefois incorporées dans les éditions ultérieures du manuel d'instructions.

Nos derniers documents sur les produits ainsi que toutes les coordonnées de **voestalpine Böhler Welding** sont disponibles sur notre site Internet à l'adresse suivante : www.voestalpine.com/welding.

IMPORTANT !

Ce manuel d'instruction de l'utilisateur doit être lu et parfaitement compris avant d'utiliser l'équipement.
Le manuel d'instruction de l'utilisateur doit être conservé pour être consulté ultérieurement.

INFORMATIONS OBLIGATOIRES POUR L'UTILISATION D'UN RESPIRATEUR À ADDUCTION D'AIR FILTRÉ MOTORISÉ AVEC CASQUES DE SOUDAGE

Il est impératif que ces instructions d'utilisation soient strictement suivies lors de l'utilisation d'un système PAPR (respirateur à adduction d'air filtré). Le non-respect de ces instructions peut invalider toute protection de garantie offerte ou disponible pour le(s) produit(s). Veuillez vous reporter aux conditions de votre contrat d'achat en ce qui concerne le(s) produit(s) pour les détails spécifiques de cette couverture de garantie.

Ces produits sont conçus pour protéger votre santé et garantir votre bien-être. Le non-respect de ces instructions d'utilisation peut également nuire à votre santé/bien-être.

Veuillez lire attentivement ces instructions avant de débiller vos produits.

Aucune recommandation n'est donnée quant à l'adéquation de ce produit à vos besoins. Si vous avez des questions concernant l'adéquation de ce produit à votre tâche, veuillez contacter un hygiéniste du travail.

Les informations de contact sont imprimées à la page 2.

CONTENU

1. Introduction
2. Domaine d'application
3. Certifications
4. Conditions d'utilisation
5. Présentation du système
6. Déballage/Assemblage
7. Avant utilisation
8. Utilisation
9. Maintenance/Nettoyage
10. Recherche de pannes
11. Stockage et transport
12. Liste des systèmes de casque certifiés
13. Liste des pièces et des plans d'assemblage
14. Données techniques
15. Garantie

1. INTRODUCTION

Guardian Air est un système de protection respiratoire reposant sur le principe de la circulation d'air sous pression dans le casque. L'unité de ventilation montée sur la ceinture fournit de l'air à travers un filtre et par le biais d'un tuyau d'air dans un casque. L'alimentation en air filtré crée une pression positive à l'intérieur du casque, ce qui empêche l'air contaminé extérieur de pénétrer dans la zone de respiration de l'utilisateur.

2. DOMAINE D'APPLICATION

Le système PAPR convient à toutes les applications où la certification EN12941 est acceptable. L'unité n'est pas adaptée au soudage dans des espaces confinés. (Voir 4. Conditions d'utilisation)

3. CERTIFICATIONS

Guardian Air a été conçu et fabriqué conformément à la norme EN12941: 1998 - A1:2003+A2:2008 en tant que dispositif TH3 P R SL.

La norme BS4275 (Guide pour la réalisation d'un programme de protection respiratoire efficace), qu'il est conseillé à l'utilisateur de lire, définit un dispositif EN12941 TH3 P R SL comme offrant un facteur de protection nominale de 500.

Le système PAPR ne peut fournir ce niveau de protection que s'il est utilisé avec les filtres fournis par le fabricant portant les mentions « Böhler » et « EN12941:1998 TH3P R SL ».

Les casques de soudage sont certifiés EN 175B.

Les systèmes PAPR sont fabriqués selon le système de qualité ISO 9001:2000.

4. CONDITIONS D'UTILISATION

Guardian Air doit être utilisé en stricte conformité avec le présent manuel d'instruction de l'utilisateur et les instructions fournies avec le casque correspondant.

L'utilisateur doit bien lire et comprendre toutes les « Instructions d'utilisation » suivantes pour pouvoir utiliser correctement le système de protection respiratoire. Toute question doit être adressée aux points de contact du fabricant indiqués à la page 2.

Lorsque le PAPR est éteint, la protection respiratoire est minime, voire nulle. Lorsque le système PAPR est éteint, une accumulation rapide de dioxyde de carbone et un épuisement rapide de l'oxygène dans le casque peuvent se produire. **Il est donc essentiel de ne pas utiliser l'unité de ventilation lorsqu'elle est éteinte.**

GUARDIAN AIR NE DOIT PAS ÊTRE UTILISÉ :

- » Dans une atmosphère qui présente un danger immédiat pour l'hygiène ou la santé des utilisateurs et dont la teneur en oxygène est inférieure à 19,5 %, ou qui contient des substances inconnues.
- » Dans des espaces confinés ou non ventilés, tels que des réservoirs, des conduites, des canaux, etc.
- » Près de flammes et/ou d'étincelles.
- » Dans les zones à risque d'explosion.
- » Dans une région où les vents sont forts.
- » Si l'unité de ventilation cesse de fonctionner pour une raison quelconque, l'utilisateur doit quitter immédiatement la zone contaminée.

AUTRES POINTS ESSENTIELS :

- » Rien ne doit toucher les pièces mobiles.
- » Aucune tentative de modifier ou d'altérer le système PAPR ou le filtre de quelque manière que ce soit n'est autorisée.
- » Il ne faut pas que de l'eau ou d'autres liquides ne pénètrent dans l'unité, en particulier dans le moteur et le ventilateur, le filtre ou la batterie.

Assurez-vous que le casque s'adapte parfaitement au visage de l'utilisateur. Alors seulement, l'efficacité du système est suffisante. Le facteur de protection de l'ensemble du système est réduit si le joint du casque n'est pas bien ajusté, par exemple en raison d'une barbe ou de cheveux longs intervenant dans la ligne du joint.

Il est possible que la portion du tuyau au casque s'accroche lors de l'utilisation. Le système PAPR doit être positionné sur la personne de manière à réduire ce risque.

Les filtres ne peuvent pas être installés directement sur le casque et ne doivent pas être adaptés à cette fin.

Une protection respiratoire adéquate ne sera pas fournie si des pièces de l'équipement sont modifiées de quelque manière que ce soit.

À des cadences de travail très élevées, la pression dans le système PAPR peut devenir négative au débit d'inhalation maximal. En cas de doute, l'utilisateur doit consulter les évaluations des risques personnels et acceptables de santé et de sécurité locales.

Les systèmes PAPR ne doivent être utilisés que par du personnel compétent et formé.

ATTENTION !

Si l'une ou l'autre de ces conditions n'est pas conservée ou suivie, la garantie est automatiquement invalide.

IL EST CONSEILLÉ À L'UTILISATEUR DE QUITTER IMMÉDIATEMENT LA ZONE CONTAMINÉE SI :

- » L'alarme d'avertissement du débit de conception minimal (MMDF) du fabricant retentit.
- » La respiration devient difficile.
- » Des vertiges ou un sentiment de détresse surviennent.
- » Toute partie du système est endommagée.
- » Le débit d'air dans le casque diminue ou s'arrête.
- » Le contaminant peut être senti ou goûté à l'intérieur du casque.
- » Les matériaux susceptibles d'entrer en contact avec le peau de l'utilisateur ne sont pas susceptibles de provoquer des réactions allergiques chez la majorité des personnes, mais dans l'éventualité peu probable d'une réaction, l'utilisateur doit alors immédiatement quitter la zone contaminée, retirer l'unité et consulter un médecin.

5. PRÉSENTATION DU SYSTÈME

Guardian Air est un respirateur motorisé monté sur ceinture doté d'un système de filtre à particules haute efficacité jetable et remplaçable. Le système est certifié avec les casques couverts dans la section 10 et qui couvrent des tailles de tête comprises entre 535 et 600 mm de circonférence.

Le système PAPR contient une batterie rechargeable amovible de 8 heures. (8 heures dans un environnement propre ; dans un atelier, le temps peut être considérablement réduit en fonction des niveaux de particules dans l'atmosphère)

Guardian Air avertira l'utilisateur lorsque le MMDF de 170 L/min n'est pas atteint avec son alarme sonore et ses LED clignotantes. Lorsque l'alarme retentit, l'utilisateur doit immédiatement quitter la zone de travail et rejoindre une zone désignée comme étant sûre. Le système PAPR possède une alarme visuelle pour une batterie faible et une alarme multiple, audible et visuelle pour un filtre bloqué. En fonction du défaut, l'utilisateur doit remplacer le filtre par un nouveau (dans les environnements très poussiéreux, le filtre doit être changé fréquemment) et/ou recharger ou remplacer la batterie par une batterie complètement chargée. L'utilisateur ne pourra retourner sur son lieu de travail que lorsque le système PAPR sera à nouveau opérationnel avec l'alarme désactivée et que le débit aura été testé comme étant acceptable.

Le filtre a été développé spécialement pour cette unité. Il sert à filtrer l'air que l'utilisateur respirera. Il est essentiel que l'utilisateur vérifie le filtre pour détecter tout signe de dommage ou de déformation susceptible de laisser pénétrer de l'air contaminé dans le système. Le filtre doit être jeté s'il est endommagé ou s'il est bouché au point de déclencher le mécanisme d'alarme du système.

La batterie rechargeable amovible utilisée est une cellule Lithium Ion. Lorsqu'elle est fournie, la batterie peut contenir une petite charge ; le système PAPR doit fonctionner à plat puis être chargé pendant 16 heures avant la première utilisation.

6. DÉBALLAGE/ASSEMBLAGE

6.1. Déballage

Vérifiez que le paquet est complet et qu'aucune pièce n'est endommagée à cause du transport ou pour d'autres raisons. Un paquet avec le système PAPR complet, y compris les accessoires, contient les éléments suivants :

- » Guardian Air avec batterie et filtre P R SL et pré-filtre
- » Ceinture
- » Tuyau d'air
- » Indicateur de débit d'air
- » Chargeur de batterie
- » Instructions de l'utilisateur

6.2. Assemblage

Fixez l'unité de ventilation à la ceinture : passez la sangle intérieure à l'arrière des passants de la ventilation. Passez ensuite à travers les passants de la ceinture, puis à travers la boucle. (Fig. 1/p. 4)

Installez la batterie sur l'unité de ventilation. (Fig. 3/p. 4)

6.2.1. Réglage de la ceinture :

Placez la ceinture autour de la taille avec le système PAPR dans le dos et attachez les deux extrémités ensemble.

Si la ceinture est trop lâche, faites glisser l'ajusteur mâle vers le bas, vers la moitié femelle. Si la ceinture est trop serrée, faites glisser l'ajusteur mâle loin de la moitié femelle.

Répétez les opérations ci-dessus jusqu'à obtenir un réglage confortable et sécurisé. Une fois la ceinture bien ajustée, fixez tout matériau de la ceinture en excès à travers les passants de la ceinture. (Fig. 5/p. 4)

6.2.2. Filtre à particules

Utilisez uniquement les filtres marqués Böhler tels que fournis par voestalpine Böhler Welding. L'utilisation de tout autre filtre entraînera l'invalidation de toute protection offerte par la garantie et/ou un risque grave pour la santé de l'utilisateur des produits.

Il faut tout d'abord vérifier auprès d'un hygiéniste du travail ou en appelant le service d'assistance technique du fabricant si les filtres Böhler offrent une protection appropriée contre les dangers. Guardian Air est équipé de filtres à particules haute efficacité de classe P R SL.

Dès que l'alarme retentit, le pré-filtre doit être remplacé ou vérifié. Dans les zones très poussiéreuses, cela peut être nécessaire fréquemment.

Les filtres doivent être vérifiés (voir 7.2. Essai de débit d'air) et remplacés régulièrement. Les filtres sont destinés à être remplacés et ne doivent pas être nettoyés/réutilisés.

Assurez-vous que les nouveaux filtres ne sont pas périmés, qu'ils n'ont pas été utilisés et qu'ils ne sont pas endommagés.

Du point de vue de l'hygiène, la durée de travail maximale d'un filtre principal est de 2 semaines ou de 90 heures, selon la durée la plus longue, et ne doit pas être dépassée.

AVERTISSEMENT !

Il est essentiel que l'utilisateur ne confonde pas les marques sur le filtre se rapportant à une norme autre que la norme EN12941 1998 -A1:2003+A2:2008 avec la classification du dispositif utilisé avec ce filtre.

6.2.3. Enlever les filtres et en installer de nouveaux

Ouvrez le couvercle du filtre en tirant le couvercle vers l'extérieur depuis le côté droit de la soufflante. (Fig. 6 / p. 4)

ATTENTION! Il est strictement interdit d'utiliser un quelconque outil pour ouvrir le couvercle du filtre.

Pour retirer le filtre, tirez-le hors de l'appareil. Nettoyez l'appareil en vous assurant qu'aucune poussière ne pénètre dans l'entrée d'air.

Remettez le nouveau filtre en place. (Fig. 7 / p. 4) Poussez-le doucement jusqu'à ce qu'il s'adapte bien au corps de l'appareil.

Fermez le couvercle du filtre. Faites bien attention, le couvercle du filtre s'enclenche lorsqu'il est correctement fermé. N'essayez pas d'utiliser l'unité de soufflage sans le couvercle correctement installé.

6.2.4. Changer le pré-filtre (Fig. 7 / p. 4)

Le pré-filtre est un tissu molletonné qui s'installe sur le filtre principal. Pour le retirer ou le remplacer, il suffit de retirer l'ancien filtre et de mettre le nouveau en place. Il est important de s'assurer que le média filtrant du filtre principal est entièrement recouvert par le pré-filtre.

6.2.5. Fixation du tuyau au système PAPR :

Alignez les broches du connecteur à baïonnette du tuyau sur les fentes de la sortie d'air du système PAPR. Poussez le connecteur à baïonnette dans la ventilation jusqu'à ce qu'il atteigne le fond de l'orifice, puis faites-le tourner dans le sens des aiguilles d'une montre jusqu'à ce que les broches de positionnement se clipsent en place.

Le montage du tuyau sur le casque suit la même procédure.

6.2.6. Enfiler les casques Böhler Guardian Air :

1. Réglez le râteau des casques de soudage, puis réglez le filtre de soudage en fonction. (Voir les instructions d'utilisation du casque)
2. Soulevez le casque jusqu'à sa position la plus haute.
3. Placez-le sur la tête et ajustez la roue à rochet du casque en la poussant et en la tournant jusqu'à obtenir un serrage satisfaisant.
4. Tirez le protège-menton élastiqué vers le bas et abaissez en même temps le casque. Assurez-vous que le protège-menton élastiqué s'ajuste confortablement sous le menton.
5. Le casque de soudage est maintenant prêt à être utilisé.

7. AVANT UTILISATION

7.1 Inspection avant utilisation :

Chaque fois avant de commencer à travailler, vérifiez les points suivants :

- » Tous les composants sont en bon état et ne présentent aucun dommage visible (orifices, déchirures, etc.). Remplacez les pièces endommagées ou usées. Examinez soigneusement le tuyau d'air, les joints et le masque.
- » Vérifier qu'il y a une bonne connexion entre le tuyau d'air et le casque ainsi que le système PAPR.
- » Vérifier qu'il y a un débit d'air suffisant. (Voir 7.2. Essai de débit d'air)
- » L'air est fourni à travers l'ensemble du système PAPR, de la ventilation au casque.
- » Chargez la batterie avant la première utilisation et vérifiez que la batterie est suffisamment chargée avant toute utilisation ultérieure. (Voir 7.3. Batteries)
- » **Assurez-vous que les alarmes fonctionnent correctement (voir 8. Utilisation)**

7.2. Essai de débit d'air (Fig. 4/p. 4)

1. Débranchez le tuyau d'air de l'unité de ventilation.
2. Insérez l'indicateur de débit d'air dans le connecteur du tuyau d'air et maintenez le tuyau en position verticale à peu près au niveau des yeux.
3. Allumez le bloc d'alimentation. Le débit d'air n'est suffisant que si l'indicateur à bille atteint le niveau de débit minimal. Si l'indicateur chute en dessous du niveau de débit minimal, il est nécessaire de charger la batterie ou de changer le filtre. Si le problème persiste, reportez-vous au chapitre 10 pour des suggestions supplémentaires.

7.3. Batteries

REMARQUE ! Les batteries ne sont livrées que partiellement chargées. Toutes les batteries doivent être chargées avant leur première utilisation. La batterie peut être chargée séparément ou sur l'unité de ventilation.



Il est impératif que le chargeur de batterie utilisé pour charger le produit soit celui qui vous a été livré au moment de la réception du produit et qu'il s'agisse d'un chargeur de batterie approuvé par le fabricant. L'utilisation de tout autre chargeur de batterie entraînera l'invalidation de toute protection offerte par la garantie et/ou un risque grave pour la santé de l'utilisateur des produits en cas d'incendie ou d'explosion.

Le chargeur ne doit pas être utilisé à une autre fin que celle pour laquelle il a été fabriqué. Ne chargez pas la batterie dans une atmosphère potentiellement explosive. Le chargeur de batterie est conçu pour une utilisation en intérieur. Il doit être protégé contre l'humidité. Le chargeur contrôle la charge automatiquement. Une fois la batterie chargée, le chargeur passe en mode de charge de maintien et maintient la batterie complètement chargée. Le temps de charge est de 4 à 6 heures.

7.3.1. Batterie en charge



1. Vérifiez que la tension de l'alimentation électrique est correcte.
2. **Vérifiez que le chargeur de batterie utilisé pour charger le produit est celui qui vous a été livré au moment de la réception du produit et qu'il s'agit d'un chargeur de batterie approuvé par le fabricant. Il est essentiel que seul le chargeur fourni soit utilisé. Dans le cas contraire, vous risquez un grave problème d'incendie ou d'explosion.**
3. Branchez le chargeur dans la prise. Soit directement dans la ventilation lorsque la batterie est installée, soit directement dans la batterie.
4. Branchez la batterie au chargeur. La prise de la batterie est située à l'arrière.
5. L'état de charge est indiqué par un voyant à diode rouge.
6. Une fois la charge terminée, le mode de charge de maintien est activé : - le voyant à diode rouge s'éteint, et le voyant à diode vert s'allume au moment de la charge de maintien.
7. Débranchez le chargeur de l'alimentation électrique.

Ne laissez pas le chargeur de batterie sur l'alimentation s'il n'est pas utilisé !

7.3.2. Changement de batterie

Retrait de la batterie :
Localisez le crochet de la batterie. Tirez le crochet de la batterie : en même temps, retirez la batterie en la soulevant.

Montage de la batterie :

Assurez-vous que la batterie est dans le bon sens (voir 6.2), puis glissez-la dans l'unité de ventilation jusqu'à ce que le crochet de la batterie s'enclenche. Il est essentiel que le crochet de la batterie soit complètement verrouillé. (Fig. 3/p. 4)

8. UTILISATION

Allumez l'unité de ventilation en appuyant sur le bouton ON/OFF du panneau de commande. Le débit d'air peut être réglé

en appuyant sur les touches +/- de 180 l/min à 220 l/min à six vitesses. Le voyant à diode vert indiquent le niveau de débit d'air actuel. Veuillez noter que pour chaque pression sur les boutons, il est nécessaire de maintenir la pression pendant 2 secondes pour que l'action se produise. Cela permet d'éviter des changements accidentels. (Fig. 2/p. 4)

Guardian Air assure un apport d'air constant. Le microprocesseur à l'intérieur de l'unité régule automatiquement la vitesse du moteur pour compenser l'encrassement du filtre et l'état de la batterie. Si le microprocesseur ne parvient pas à conserver le débit d'air réglé, l'unité émettra une alarme sonore (un signal acoustique) et l'utilisateur devra alors vérifier le système PAPR. Si possible, le microprocesseur réduit automatiquement le débit d'air au niveau immédiatement inférieur. S'il ne parvient pas à atteindre le niveau inférieur, l'alarme continuera à retentir. Lorsque le débit d'air chute en dessous du niveau minimal de sécurité, une deuxième alarme sonore se joint à la première. À ce stade, l'utilisateur doit immédiatement cesser de travailler, quitter l'environnement de travail et rejoindre une zone désignée comme étant sûre, puis changer le filtre ou recharger/changer la batterie.

Pour vérifier les alarmes, il est nécessaire de fermer la sortie d'air avec la paume de la main ou avec un autre moyen approprié. Ensuite, avec le système PAPR allumé, le moteur essaiera de compenser en augmentant la vitesse jusqu'à ce que le microprocesseur fasse sonner l'alarme comme décrit ci-dessus.

Pour vérifier la batterie : lors du premier démarrage de l'unité, les voyants de la batterie clignoteront en rouge sur le panneau de commande, puis s'éteindront ; si le voyant reste allumé, cela indique que la batterie est faible et doit être chargée. Il est recommandé d'utiliser uniquement une batterie complètement chargée lors du démarrage d'un poste de travail.

Avec une batterie complètement chargée en place, l'unité devra fonctionner normalement, mais si l'alarme sonore retentit toujours, l'utilisateur devra changer le filtre. Si le problème persiste, reportez-vous au chapitre 10 pour des suggestions supplémentaires.

9. MAINTENANCE/NETTOYAGE

L'unité de ventilation, le logement du filtre et le casque doivent tous être nettoyés régulièrement pour les maintenir en bon état de fonctionnement.

S'il n'y a qu'un seul utilisateur, les unités peuvent toutes être nettoyées avec un chiffon imbibé d'eau tiède et de savon.

S'il y a plusieurs utilisateurs, les unités doivent être désinfectées lorsqu'elles passent d'un utilisateur à un autre.

Aucun liquide ne doit pénétrer dans le système PAPR ni dans l'élément du filtre.

Les pièces doivent pouvoir sécher à l'air libre. Aucun solvant ni agent de nettoyage abrasif ne doit jamais être utilisé. L'unité ne doit pas être séchée à l'air chaud ou à la chaleur rayonnante.

Le système PAPR devrait continuer à fournir une protection selon la spécification conçue pendant 2 à 3 ans s'il est entretenu conformément à ces instructions. Avant chaque utilisation, l'utilisateur doit vérifier que le système PAPR est exempt de défauts, tels que des fissures, des filtres et des tuyaux fendus, des visières et des composants de casque fissurés, selon le cas.

10. RECHERCHE DE PANNES

En cas de changement soudain de l'alimentation en air lors de l'utilisation du système, il est nécessaire de vérifier les points suivants :

- » Que toutes les pièces du système d'alimentation en air soient assemblées correctement.
- » La batterie et son connecteur.
- » Si la batterie n'est pas défectueuse ou si elle ne fonctionne pas correctement.
- » Les filtres et leur encrassement.
- » Qu'il n'y a pas d'orifice dans le tuyau d'air.
- » Si le joint du casque n'est pas endommagé.
- » Si le temps de travail après une recharge complète de la batterie n'a pas diminué (si c'est le cas, il est nécessaire de remplacer la batterie).

| PANNE | RAISON PROBABLE | RECOMMANDATION |
|--|---|---|
| Le système PAPR ne fonctionne pas du tout. | <ul style="list-style-type: none"> » Batterie complètement déchargée (vérifiez si le ventilateur fonctionne avec une autre batterie chargée) » Moteur, circuit imprimé ou connecteur défectueux | <ul style="list-style-type: none"> » Chargez la batterie (si le problème persiste, vérifiez la batterie). » Contactez votre fournisseur. |
| Faible débit d'air | <ul style="list-style-type: none"> » Tuyau ou conduit d'air bouché » Fuite » La batterie n'est pas assez chargée. » Pré-filtre ou filtre bloqué | <ul style="list-style-type: none"> » Vérifiez et supprimez le blocage. Vérifiez tous les joints, les connecteurs et le tuyau d'air. Assurez-vous que l'air ne puisse pas s'échapper par des orifices ou des déchirures. » Chargez la batterie (si le problème persiste, vérifiez la batterie). » Changez le pré-filtre. Ensuite, si le problème persiste, changez le filtre principal. |
| Temps de fonctionnement court | <ul style="list-style-type: none"> » Filtre encrassé » La batterie n'est pas chargée correctement. | <ul style="list-style-type: none"> » Changez les filtres. » Chargez la batterie (si le problème persiste, vérifiez la batterie). |
| La batterie ne peut pas être chargée. | <ul style="list-style-type: none"> » Le contact de la batterie est endommagé. » Le chargeur est défectueux. | <ul style="list-style-type: none"> » Vérifiez le contact de la batterie. » Contactez votre fournisseur. |
| La batterie ne peut pas être chargée suffisamment. | <ul style="list-style-type: none"> » La batterie est usée. | <ul style="list-style-type: none"> » Installez une nouvelle batterie. |

11. STOCKAGE ET TRANSPORT

Lorsqu'elles ne sont pas utilisées ou pendant le transport, les unités de ventilation et de casque doivent être stockées dans le conteneur dans lequel elles ont été livrées, ou dans un autre conteneur similaire, de sorte qu'elles ne soient pas exposées au rayonnement direct du soleil, ne soient pas en contact avec des solvants et ne puissent être endommagées par un contact physique, avec des surfaces ou des objets durs. Elles ne doivent pas être stockées en dehors de la plage de température comprise entre 0 °C et +40 °C ou à une humidité relative supérieure à 75 % HR.

12. SYSTÈMES DE CASQUES CERTIFIÉS (p. 5)

- 13 - Guardian 50M Air - 86669
- 13 - Guardian 50FM Air - 86682
- 13 - Guardian 62 Air - 57007
- 13 - Guardian 62F Air - 57029
- 14 - Big Vision Air - 73314

13. LISTE DES PIÈCES ET DES PLANS D'ASSEMBLAGE (p. 5)

- 1 - Guardian Air (kit de ventilation complet) - 86692
- 2 - Unité de moteur - 86668
- 3 - Filtre à particules P R SL (4 pièces) - 86645
- 4 - Pré-filtre (10 pièces) - 86655
- 5 - Pare-étincelles - 86704
- 6 - Couverture de filtre - 86657
- 7 - Batterie standard (5 200 mAh) - 86660
- 7 - Batterie robuste (7 800 mAh) - 57075
- 8 - Chargeur universel - 57081
- 9 - Tuyau d'air flexible avec protection pour tuyau d'air - 57065
- 10 - Ceinture de confort - 57144
- 11 - Harnais d'épaule - 57146
- 12 - Testeur de débit d'air - 57184
- 15 - Casque étanche - 57182
- 16 - Sac Böhler (bleu) - 57186
- 16 - Sac Böhler (noir) - 86702

14. DONNÉES TECHNIQUES

Guardian Air est un système de PAPR léger et facile à manipuler. Il est équipé d'un filtre à particules remplaçable. Le système offre une protection fiable contre les particules et les aérosols.

- » Débit d'air : de 180 à 220 litres/min. avec un débit minimal de 170 litres/min pour que l'alarme retentisse.
- » Poids avec filtre et batterie : 870 grammes
- » Température de fonctionnement comprise entre 0 °C et +40 °C
- » Type de filtre : P R SL
- » Type de batterie : Li-Ion remplaçable et rechargeable 7,4 V / 5.200 mAh
- » Cycles de charge > 350 r
- » Alarme visuelle en cas de tension de batterie faible
- » Alarmes visuelles et sonores en cas de débit insuffisant (inférieur à 170 l/min)
- » Facteur de protection nominale (Nominal Protection Factor - NPF) 500
- » Niveau de bruit : 65 dB
- » Durée de fonctionnement supérieure à 8 heures avec un nouveau filtre et une batterie complètement chargée dans un environnement propre avec un débit minimal. (6 heures avec un débit maximal) En utilisation réelle, les durées de fonctionnement peuvent être considérablement réduites en fonction du niveau de contaminants dans l'environnement.
- » **Remarque ! La durée de fonctionnement peut être réduite en cas de filtre bouché sous une batterie chargée.**

Certification EN 12941:1998+A1:2003+A2:2008

Certifié par : APAVE SUDEUROPE SAS Organisme notifié 0082
13322 MARSEILLE
CEDEX 16
France

Ce dispositif de protection individuelle est conforme aux normes européennes suivantes :



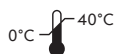
EN 12941:1998+A1:2003+A2:2008
EN166B:2001
EN379:2003 +A1:2009 EN175B

Symboles:

Reportez-vous au manuel d'instruction du fabricant :



À stocker entre 0 et 40 °C (degrés Celsius) :



À stocker jusqu'au :



Humidité de stockage maximale <75 % :



Symboles du filtre :

R = signifie que le filtre est réutilisable pendant plusieurs quarts de travail

S = signifie que le filtre protège contre les particules solides

L = signifie que le filtre protège contre les particules liquides

15. GARANTIE

Guardian Air est garanti 12 mois à compter de la date d'achat contre les défauts mécaniques ou électriques.

La batterie Böhler est garantie 12 mois à compter de la date de fabrication.

voestalpine Böhler Welding s'engage à échanger ou à réparer sans frais toute pièce jugée défectueuse dans ce délai. Voestalpine Böhler Welding peut également la remplacer, à sa discrétion.

Cette garantie est soumise aux points suivants :

Guardian Air a été utilisé uniquement aux fins pour lesquelles il est destiné.

Guardian Air n'a pas fait l'objet d'abus, d'accident, de modification ou de réparation.

Note : en cas de réclamation, contactez le revendeur auprès duquel vous avez acheté le Guardian Air.

Cette garantie ne couvre pas l'usure normale.

Cette garantie n'affecte pas vos droits légaux.

Guardian Air

MANUALE DI ISTRUZIONI PER L'USO PER I SISTEMI PAPR

Approvato secondo BS EN 12941 : 1998 - A1:2003+A2:2008 TH3 - DISPOSITIVO DI PROTEZIONE DELLE VIE RESPIRATORIE - DISPOSITIVO DI FILTRAGGIO ELETTROVENTILATO, COMPOSTO DA UNA SERIE DI CASCHI DI SALDATURA - P R SL DI CLASSE TH3

TRADUZIONE DELLE ISTRUZIONI PER L'USO

Il produttore si riserva il diritto, in qualsiasi momento e senza preavviso, di apportare cambiamenti e modifiche a queste istruzioni per l'uso che si rendano necessari a causa di errori di stampa, imprecisioni o miglioramenti del prodotto. Tali modifiche saranno comunque incorporate nelle edizioni successive del manuale di istruzioni.

Our latest product documents as well as all contact details for the **voestalpine Böhler Welding** can be found on our website at: www.voestalpine.com/welding.

IMPORTANTE!

Il presente manuale di istruzioni per l'uso deve essere letto e compreso nella sua interezza prima di utilizzare il dispositivo.
Conservare questo manuale per riferimento futuro.

INFORMAZIONI OBBLIGATORIE PER L'UTILIZZO DEL RESPIRATORE ELETTROVENTILATO CON PURIFICAZIONE DELL'ARIA COMPRESIVO DI CASCHI DI SALDATURA

È obbligatorio attenersi alle presenti istruzioni durante l'uso/il funzionamento del sistema PAPR (respiratore elettroventilato con purificazione dell'aria). Il mancato rispetto di queste istruzioni potrebbe rendere nulla qualsiasi garanzia offerta o resa disponibile all'utente rispetto al/ai prodotto/i. Fare riferimento ai termini e alle condizioni del contratto di acquisto del/i prodotto/i per dettagli specifici sulla copertura della garanzia.

Il/i prodotto/i è/sono progettato/i per salvaguardare la salute e il benessere dell'utente. Il mancato rispetto di queste istruzioni per l'uso può avere anche effetti negativi sulla sua salute e sul suo benessere.

Leggere queste istruzioni per l'uso con estrema attenzione prima di disimballare il prodotto o i prodotti.

Non viene fornita alcuna raccomandazione rispetto all'idoneità di questo prodotto per le necessità dell'utente. In caso di domande in merito all'idoneità di questo prodotto per l'attività che si intende svolgere, contattare un igienista occupazionale.

I dati di contatto sono riportati a pagina 2.

INDICE

1. Introduzione
2. Ambito di applicazione
3. Autorizzazioni
4. Pre-condizioni di utilizzo
5. Panoramica del sistema
6. Disimballaggio/montaggio
7. Prima dell'utilizzo
8. Utilizzo
9. Manutenzione/pulizia
10. Rilevamento dei guasti
11. Conservazione e trasporto
12. Elenco dei caschi certificati
13. Elenco dei componenti e schema di montaggio
14. Specifiche tecniche
15. Garanzia

1. INTRODUZIONE

Guardian Air è un sistema di protezione delle vie respiratorie il cui funzionamento si basa sulla circolazione di aria ad alta pressione all'interno del casco. L'elettroventilatore, fissato a una cinghia, eroga l'aria attraverso un filtro e tramite un apposito tubo all'interno del casco. L'erogazione di aria filtrata crea una pressione positiva all'interno del casco, che evita l'ingresso di aria esterna contaminata nella zona di respirazione dell'utente.

2. AMBITO DI APPLICAZIONE

Il sistema PAPR è adatto a tutte le applicazioni in cui è accettabile la certificazione EN12941. L'unità non è adatta alla saldatura in spazi confinati (Vedere sezione 4. Pre-condizioni di utilizzo).

3. AUTORIZZAZIONI

Il sistema Guardian Air è stato progettato e prodotto per soddisfare la norma EN12941: 1998 - A1:2003+A2:2008 come dispositivo P R SL di classe TH3.

Il documento BS4275 (Guida all'implementazione di un programma efficace per i dispositivi di protezione respiratoria), che l'utente è invitato a leggere, definisce un dispositivo P R SL conforme alla norma EN12941 di classe TH3 con un Fattore di protezione nominale pari a 500.

Il sistema PAPR può fornire questo livello di protezione solo se impiegato con i filtri forniti dal produttore e contrassegnati con la dicitura "Böhler" e "EN12941:1998 TH3P R SL".

I caschi di saldatura sono certificati EN 175B

I sistemi PAPR sono prodotti secondo il sistema di qualità ISO 9001:2000.

4. PRE-CONDIZIONI DI UTILIZZO

Il sistema Guardian Air deve essere impiegato nel rispetto del presente manuale di istruzioni per l'uso e delle istruzioni fornite con il casco combinato.

Leggere e comprendere a fondo le seguenti "Istruzioni per l'uso" in modo da utilizzare correttamente il dispositivo di protezione delle vie respiratorie. In caso di domande, rivolgersi al produttore utilizzando i dati di contatti riportati a pagina 2.

Quando il PAPR è spento, la protezione respiratoria è scarsa o nulla. Quando il sistema PAPR è spento, all'interno del casco può verificarsi rapidamente un accumulo di anidride carbonica e una riduzione di ossigeno; **è quindi essenziale non utilizzare l'elettroventilatore quando è spento.**

IL SISTEMA GUARDIAN AIR NON DEVE ESSERE UTILIZZATO:

- » In un'atmosfera immediatamente pericolosa per l'igiene e la salute dell'utente e/o con un contenuto di ossigeno inferiore al 19,5% o contenente sostanze non note.
- » All'interno di spazi confinati o aree non ventilate come serbatoi, tubature, canali, ecc.
- » Nelle vicinanze di fiamme e/o scintille
- » Nelle aree in cui sussiste il pericolo di esplosione
- » Nelle aree soggette a forti venti
- » Se l'elettroventilatore smette di funzionare per qualsiasi motivo, l'utente deve abbandonare immediatamente l'area contaminata.

È INOLTRE ESSENZIALE CHE:

- » Nessun componente possa entrare in contatto con le parti in movimento
- » Nessuno tenti di modificare o alterare il sistema PAPR o il filtro in alcun modo
- » Acqua o altri liquidi non penetrino in alcun modo all'interno dell'unità, in particolare il motore e la ventola, il filtro o la batteria

Accertarsi che il casco calzi perfettamente sul viso dell'utente. Solo così l'efficienza del sistema sarà sufficiente. Il fattore di protezione dell'intero sistema risulta ridotto qualora l'elemento di tenuta del casco non aderisca correttamente, ad esempio per la presenza di barba o capelli lunghi presenti lungo di esso.

Può succedere che il tubo che porta al casco si impigli ad ostacoli con l'uso. Sistemare il sistema PAPR sulla persona in modo tale da evitare tale possibilità.

I filtri non possono essere montati direttamente sul casco e non devono essere adattati in tal senso.

Una protezione respiratoria corretta non può essere garantita se qualsiasi parte del dispositivo viene modificata in alcun modo.

A ritmi di lavoro molto serrati, la pressione nel sistema PAPR può diventare negativa in corrispondenza del flusso massimo d'inhalazione. In caso di dubbi, rivolgersi al personale locale incaricato di salute e sicurezza e svolgere una valutazione del rischio accettabile.

I sistemi PAPR sono destinati all'uso esclusivamente da parte di personale competente e adeguatamente formato.

ATTENZIONE!

Qualora non ci si attenga o non si segua una di queste condizioni, la garanzia decadrà automaticamente.

L'UTENTE DOVRÀ ABBANDONARE IMMEDIATAMENTE L'AREA CONTAMINATA SE:

- » Si attiva l'allarme acustico MMDF (Manufacturer's Minimum Design Flow)
- » La respirazione diventa difficile
- » Si avvertono vertigini o difficoltà respiratorie
- » Una parte del sistema si danneggia
- » Il flusso d'aria nel casco si riduce o si blocca
- » All'interno del casco si avverte la presenza di contaminanti (tramite olfatto o gusto)
- » I materiali che possono entrare in contatto con la cute dell'utente non sono noti per causare reazioni allergiche nella maggior parte degli individui, ma nell'improbabile evento di una reazione, l'utente dovrà abbandonare immediatamente l'area contaminata, rimuovere l'unità e rivolgersi a un medico.

5. PANORAMICA DEL SISTEMA

Il sistema Guardian Air è un respiratore elettroventilato montato tramite cinghia, dotato di sistema con filtro antiparticolato usa e getta ad alta efficienza. Il sistema è certificato con i caschi indicati nella sezione 10, che coprono le dimensioni di testa da 535 a 600 mm di circonferenza.

Il sistema PAPR contiene un gruppo di batterie ricaricabili e rimovibili con autonomia di 8 ore (8 ore in un ambiente pulito, in un laboratorio la loro durata può ridursi considerevolmente in base ai livelli di particolato presenti in atmosfera).

Il sistema Guardian Air avviserà l'utente quando non viene raggiunto il MMDF di 170 L/min. attivando un allarme sonoro e un LED lampeggiante.

Durante l'uso, se si attiva l'allarme, abbandonare immediatamente l'area di lavoro e raggiungere una zona definita sicura. Il sistema PAPR dispone di allarme visivo di batteria bassa e un allarme multiplo - sonoro e visivo - in caso di blocco del filtro. In base al tipo di guasto, sarà necessario sostituire il filtro con uno nuovo (negli ambienti molto polverosi il filtro dovrà essere sostituito frequentemente) e/o ricaricare o sostituire la batteria con una completamente carica. Solo quando il sistema PAPR torna a funzionare con allarme spento e flusso nominale verificato come accettabile, l'utente potrà tornare sul posto di lavoro.

Il filtro è stato appositamente sviluppato per questa unità. Serve a filtrare l'aria che viene respirata dall'utente. È essenziale che l'utente ispezioni il filtro per rilevare segni di danni o deformazione che potrebbero far entrare aria contaminata nel sistema. Il filtro deve essere smaltito se danneggiato o intasato a tal punto da attivare il meccanismo di allarme del sistema.

La batteria ricaricabile rimovibile impiegata è una batteria a ioni di litio. Quando fornita, la batteria potrebbe avere una piccola carica. Attivare fino a spegnimento il sistema PAPR, quindi ricaricarlo per 16 ore prima del primo utilizzo.

6. DISIMBALLAGGIO/MONTAGGIO

6.1. Disimballaggio

Verificare che la confezione sia completa e che non vi siano componenti danneggiati a seguito del trasporto o per altri motivi.

Una confezione con sistema PAPR completo, compresi gli accessori, contiene:

- » Sistema Guardian Air comprensivo di batteria e filtro e pre-filtro P R SL
- » Cinghia
- » Tubo dell'aria
- » Indicatore di flusso dell'aria
- » Caricabatteria
- » Istruzioni d'uso

6.2. Montaggio

Fissare l'elettroventilatore alla cinghia: passare la fascia interna attraverso retro degli anelli dell'elettroventilatore. Quindi passare attraverso gli anelli della cinghia e poi attraverso la fibbia. (Fig. 1/pag. 4)

Inserire la batteria nell'elettroventilatore. (Fig. 3/pag. 4)

6.2.1. Regolazione della cinghia

Sistemare la cinghia intorno la vita con il sistema PAPR sul retro e chiudere insieme le due estremità.

Se la cinghia non è stretta a sufficienza, far scorrere l'elemento maschio di regolazione lungo la cinghia, verso la metà femmina. Se la cinghia è troppo serrata, far scorrere l'elemento maschio allontanandolo dalla metà femmina.

Ripetere la procedura suddetta fino a ottenere un'indossabilità comoda e sicura. Quando la cinghia è sistemata correttamente, fermare la cinghia in eccesso tramite gli appositi passanti. (Fig. 5/pag. 4)

6.2.2. Filtro particolati

Utilizzare esclusivamente i filtri con marcatura Böhler così come sono forniti da voestalpine Böhler Welding. L'impiego di filtri diversi renderà nulla qualsiasi garanzia e/o metterà a grave rischio la salute dell'utente che utilizza il/i prodotto/i.

Prima dell'utilizzo verificare, rivolgendosi a un igienista industriale o chiamando il servizio di assistenza tecnica del produttore, se i filtri a marchio Böhler offrono una protezione idonea o meno dal pericolo specifico.

Il sistema Guardian Air è dotato di filtri antiparticolato ad alta efficienza di classe P R SL.

Non appena si attiva l'allarme sonoro, sostituire o ispezionare il pre-filtro. In presenza di molta polvere questa operazione potrebbe rendersi necessaria frequentemente.

I filtri dovranno essere ispezionati periodicamente (vedere sezione 7.2. Test flusso d'aria) e sostituiti. I filtri sono monouso e non devono essere puliti/riutilizzati.

Accertarsi che i nuovi filtri non siano scaduti, non siano già stati utilizzati e non presentino danni evidenti.

Da un punto di vista igienico, il tempo massimo di utilizzo del filtro principale è di 2 settimane o 90 ore, a seconda di quale delle due condizioni si verifichi prima; non superare tali valori.

AVVERTENZA!

È essenziale che l'utente non confonda le marcature sul filtro a norme diverse dalla EN12941 1998 -A1:2003-A2:2008 con la classificazione del dispositivo usato con questo filtro.

6.2.3. Rimozione dei filtri e montaggio dei nuovi

Aprire il coperchio del filtro tirandolo verso l'esterno dal lato destro del soffiatore. (Fig. 6 / pag. 4)

ATTENZIONE! È severamente vietato l'uso di attrezzi per aprire il coperchio del filtro.

Per rimuovere il filtro, estrarlo dall'unità. Pulire l'unità dalla polvere, assicurandosi che non penetri nell'ingresso dell'aria.

Inserire il nuovo filtro in posizione. (Fig. 7 / p. 4) Spingerlo delicatamente fino a farlo aderire bene al corpo dell'unità.

Chiudere il coperchio del filtro. Prestare particolare attenzione: il coperchio del filtro scatta in posizione una volta chiuso correttamente. Non tentare di utilizzare il soffiatore senza il coperchio montato correttamente.

6.2.4. Sostituzione del pre-filtro (Fig. 7/pag. 4)

Il prefiltro è un manico che viene montato sopra il filtro principale. Per rimuoverlo/sostituirlo è sufficiente sfilare il vecchio filtro e tendere quello nuovo in posizione. È importante assicurarsi che il materiale filtrante del filtro principale sia completamente coperto dal prefiltro.

6.2.5. Fissaggio del tubo al sistema PAPR

Allineare le punte del connettore a baionetta del tubo con le scanalature nell'uscita dell'aria del sistema PAPR. Premere il connettore a baionetta nell'elettroventilatore fino a quando raggiunge la base del foro, quindi ruotare in senso orario fino a quando le punte scattano in posizione.

Per fissare il tubo al casco seguire la stessa procedura.

6.2.6. Indossare i caschi Böhler Guardian Air

1. Impostare l'inclinazione dei caschi di saldatura e regolare il filtro di saldatura come desiderato (fare riferimento alle istruzioni per l'uso del casco).
2. Sollevare il casco portandolo in posizione rialzata.
3. Posizionare sopra la testa e regolare la rotellina dentata del caschetto premendola e girandola fino a ottenere un grado di serraggio soddisfacente.
4. Abbassare la protezione elasticizzata per il mento e nel contempo tirare il casco verso il basso. Verificare che la protezione elasticizzata per il mento si inserisca in modo confortevole sotto il mento.
5. Il casco di saldatura adesso è pronto all'uso.

7. PRIMA DELL'UTILIZZO

7.1 Ispezione prima dell'uso

Prima di iniziare a lavorare, verificare sempre che:

- » Tutti i componenti siano in buone condizioni e non presentino danni visibili (come fori, lacerazioni, ecc.). Sostituire i componenti danneggiati o usurati. Ispezionare con cura il tubo dell'aria, gli elementi di tenuta e il facciale.
- » Vi sia un buon collegamento tra il tubo dell'aria e il casco/ il sistema PAPR.
- » Vi sia un flusso di aria sufficiente (vedere la sezione 7.2. Test flusso d'aria)
- » L'aria sia erogata tramite l'intero sistema PAPR dall'elettroventilatore al casco.
- » Caricare la batteria prima del primo utilizzo e verificare che abbia carica sufficiente prima di ogni successivo utilizzo (vedere sezione 7.3 Batterie)
- » **Verificare che gli allarmi funzionino correttamente (vedere sezione 8. Utilizzo)**

7.2. Test flusso d'aria (Fig. 4/pag. 4)

1. Scollegare il tubo dell'aria dall'elettroventilatore.

2. Inserire l'indicatore del flusso d'aria nel connettore del tubo dell'aria e mantenere il tubo in posizione verticale, più o meno all'altezza dell'occhio.
3. Accendere l'alimentatore. Il flusso d'aria è sufficiente solo se l'indicatore a sfera raggiunge il livello minimo di flusso nominale. Se l'indicatore scende al di sotto del livello minimo di flusso nominale, è necessario caricare la batteria o sostituire il filtro. Se il problema persiste, consultare il capitolo 10 per altri suggerimenti.

7.3. Batterie

NOTA IMPORTANTE! Le batterie sono fornite solo parzialmente caricate. Caricare tutte le batterie prima di utilizzarle per la prima volta. La batteria può essere caricata separatamente o sull'elettroventilatore.



È fondamentale che il caricabatterie utilizzato per caricare il/i prodotto/i sia quello consegnato unitamente al/ai prodotto/i e che sia un caricabatterie approvato dal produttore. L'impiego di un caricabatterie diverso renderà nulla qualsiasi garanzia e/o costituirà un serio rischio per la salute dell'utente del/i prodotto/i causando possibili incendi o esplosioni.

Il caricatore non deve essere utilizzato per scopi diversi da quello per cui è stato prodotto. Non caricare la batteria in un'atmosfera potenzialmente esplosiva. Il caricabatterie è destinato all'uso in ambienti interni. Proteggerlo dall'umidità. Il caricatore controlla automaticamente la carica. Dopo che la batteria è stata caricata, il caricatore passa a uno stato di carica di mantenimento e mantiene la batteria completamente carica. Il tempo di carica è di 4-6 ore.

7.3.1. Ricarica della batteria



1. Verificare che la tensione dell'alimentazione sia corretta.
2. **Verificare che il caricabatterie utilizzato per caricare il/i prodotto/i sia quello consegnato unitamente al/ai prodotto/i e che sia un caricabatterie approvato dal produttore. È essenziale utilizzare esclusivamente il caricatore fornito onde evitare gravi rischi di incendio o esplosione.**
3. Inserire il caricatore nella presa. Connettere all'elettroventilatore se la batteria è montata o direttamente alla batteria.
4. Collegare la batteria al caricatore. La presa della batteria è posizionata sul lato posteriore.
5. Lo stato di carica è indicato da una luce a diodo LED rossa.
6. Una volta completata la carica, si attiva lo stato di carica di mantenimento: - il diodo LED rosso si spegne, quello verde si accende quando il sistema passa alla carica di mantenimento.
7. Scollegare il caricatore dall'alimentazione.

Non lasciare il caricabatterie attaccato all'alimentazione quando non è in uso!

7.3.2. Sostituzione della batteria

Rimozione della batteria:

Localizzare il fermo della batteria. Tirarlo e nel contempo rimuovere la batteria sollevandola verso l'alto.

Inserimento della batteria:

accertarsi che la batteria sia posizionata correttamente (come indicato nella sezione 6.2) quindi farla scorrere

nell'elettroventilatore fino quando il fermo si blocca. È essenziale che il fermo della batteria risulti completamente bloccato. (Fig. 3/pag. 4)

8. UTILIZZO

Accendere l'elettroventilatore premendo il pulsante ON/OFF sul pannello di controllo. Regolare il flusso d'aria premendo i pulsanti +/- da 180 l/min fino a 220 l/min in sei velocità. Il diodo LED verde mostra il flusso d'aria effettivo. Nota: a ogni pressione, è necessario mantenere premuto il pulsante per 2 secondi per rendere effettiva l'azione. Ciò evita modifiche accidentali. (Fig. 2/pag. 4)

Il sistema Guardian Air garantisce un'erogazione costante di aria. Il microprocessore presente all'interno dell'unità regola automaticamente la velocità del motore per compensare intasamento del filtro e stato della batteria. Se il microprocessore non può mantenere il flusso d'aria impostato, l'unità emetterà un allarme sonoro (si avvertirà un segnale acustico). A quel punto l'utente dovrà ispezionare il sistema PAPR. Se possibile, il microprocessore ridurrà automaticamente il flusso d'aria portandolo al livello immediatamente più basso; se non riesce a mantenere tale livello, si attiverà nuovamente l'allarme sonoro. Quando il flusso d'aria scende al di sotto del livello minimo di sicurezza, al primo allarme sonoro se ne aggiungerà un secondo. A questo punto l'utente deve interrompere immediatamente il lavoro, abbandonare l'area e raggiungere una zona definita sicura per sostituire il filtro o ricaricare/sostituire la batteria.

Per verificare gli allarmi, bloccare l'uscita dell'aria con il palmo della mano o in modo analogo. Quindi, con il sistema PAPR acceso, il motore tenterà di compensare aumentando la velocità fino all'attivazione dell'allarme sonoro da parte del microprocessore, come sopra descritto.

Per verificare lo stato della batteria: quando si attiva l'unità, il LED della batteria si accende di colore rosso sul pannello di controllo, poi si spegne. Se la luce resta accesa significa che la batteria è bassa e deve essere caricata. Si raccomanda di utilizzare solo una batteria completamente carica all'inizio di un turno di lavoro.

Con una batteria completamente carica l'unità dovrebbe funzionare normalmente, ma se l'allarme sonoro resta attivo, sarà necessario sostituire il filtro. Se il problema persiste, consultare il capitolo 10 per altri suggerimenti.

9. MANUTENZIONE/PULIZIA

L'elettroventilatore, l'alloggiamento del filtro e il casco devono essere puliti regolarmente per garantirne il corretto funzionamento.

Nel caso di utenti singoli, le unità possono essere tutte pulite con un panno inumidito con acqua tiepida e sapone.

Nel caso di più utenti, le unità devono essere disinfettate se vengono scambiate tra gli operatori.

Evitare che i liquidi entrino in contatto con il sistema PAPR o penetrino nell'elemento del filtro.

Lasciare asciugare i componenti all'aria. Non usare in nessun caso solventi o detergenti abrasivi. Non usare aria calda o calore radiante per asciugare l'unità.

Se mantenuto secondo queste istruzioni, il sistema PAPR dovrebbe continuare a garantire protezione secondo le specifiche previste per 2-3 anni. Prima di ogni utilizzo, l'utente deve verificare che il sistema PAPR sia privo di difetti come crepe, tagli sui filtri o i tubi, fessure sui visori e i componenti dei caschi.

10. RILEVAMENTO DEI GUASTI

In caso di cambiamento improvviso nell'erogazione dell'aria mentre il sistema è in uso, occorre verificare quanto segue:

- » Che tutti i componenti del sistema di erogazione dell'aria siano correttamente montati.
- » La batteria e il relativo connettore
- » Che la batteria non sia guasta o presenti dei malfunzionamenti
- » I filtri e il loro eventuale intasamento
- » Che sul tubo dell'aria non siano presenti fori
- » Che l'elemento di tenuta del casco non sia danneggiato
- » Che il tempo di lavoro dopo un'intera ricarica della batteria non sia diminuito (in tal caso sarà necessario sostituire la batteria).

| GUASTO | MOTIVO PROBABILE | SUGGERIMENTO |
|---|---|---|
| Il sistema PAPER non funziona per niente. | <ul style="list-style-type: none"> » Batteria completamente scarica (verificare il funzionamento dell'elettroventilatore con un'altra batteria carica). » Guasto al motore, al circuito stampato o al connettore. | <ul style="list-style-type: none"> » Caricare la batteria (se il problema persiste, ispezionare la batteria). » Contattare il fornitore. |
| Flusso d'aria basso. | <ul style="list-style-type: none"> » Tubo o conduttura dell'aria bloccato/a. » Perdita. » La batteria non ha carica sufficiente. » Filtro o pre-filtro intasato. | <ul style="list-style-type: none"> » Verificare ed eliminare il blocco. Verificare tutti gli elementi di tenuta, i connettori e il tubo dell'aria. Verificare che non vi siano perdite d'aria da fori o fessure. » Caricare la batteria (se il problema persiste, ispezionare la batteria). » Sostituire il pre-filtro. Se il problema persiste sostituire il filtro principale. |
| Tempo di esercizio ridotto. | <ul style="list-style-type: none"> » Filtro intasato. » La batteria non è caricata correttamente. | <ul style="list-style-type: none"> » Sostituire i filtri. » Caricare la batteria (se il problema persiste, ispezionare la batteria). |
| Non è possibile caricare la batteria. | <ul style="list-style-type: none"> » Il contatto della batteria è danneggiato. » Il caricatore è guasto. | <ul style="list-style-type: none"> » Controllare il contatto della batteria. » Contattare il fornitore. |
| Non è possibile caricare la batteria in misura sufficiente. | <ul style="list-style-type: none"> » La batteria è usurata. | <ul style="list-style-type: none"> » Installare una nuova batteria. |

11. CONSERVAZIONE E TRASPORTO

Quando non vengono utilizzati o durante il trasporto, l'elettroventilatore e i caschi devono essere conservati nel contenitore in cui sono stati forniti - o altro contenitore analogo - affinché siano lontani dalla luce solare diretta, non entrino in contatto con solventi e non possano essere danneggiati dal contatto fisico con superfici/oggetti duri. Non conservare al di fuori dell'intervallo di temperatura di 0-40°C o in presenza di livelli di umidità relativa superiori al 75%.

12. CASCHI CERTIFICATI

- 13 - Guardian 50M Air - 86669
- 13 - Guardian 50FM Air - 86682
- 13 - Guardian 62 Air - 57007
- 13 - Guardian 62F Air - 57029
- 14 - Big Vision Air - 73314

13. ELENCO DEI COMPONENTI E SCHEMA DI MONTAGGIO (pag. 5)

- 1 - Guardian Air (kit completo elettroventilatore) - 86692
- 2 - unità motore - 86668
- 3 - filtro antiparticolato P R SL (4 pezzi) - 86645
- 4 - pre-filtro (10 pezzi) - 86655
- 5 - protezione anticintilla - 86704
- 6 - protezione filtro - 86657
- 7 - batteria standard (5200 mAh) - 86660
- 7 - batteria per uso gravoso (7800 mAh) - 57075
- 8 - caricatore universale - 57081
- 9 - tubo dell'aria flessibile compresa protezione tubo - 57065
- 10 - cintura comfort - 57144
- 11 - imbracatura spalle - 57146
- 12 - test flusso d'aria - 57184
- 15 - facciale casco - 57182
- 16 - Sacco Böhler (blu) - 57186
- 16 - Sacco Böhler (nero) - 86702

14. SPECIFICHE TECNICHE

Il sistema Guardian Air è un sistema PAPR leggero e facile da maneggiare. È dotato di un filtro antiparticolato sostituibile. Il sistema consente una protezione affidabile da particolati e aerosol.

- » Flusso d'aria: da 180 a 220 litri/ min. con un flusso nominale minimo di 170 litri/ min sotto il quale si attiva l'allarme.
- » Peso con filtro e batteria: 870 grammi
- » Temperatura di esercizio tra 0 e 40°C
- » Tipo di filtro: P R SL
- » Tipo di batteria: Agli ioni di litio, ricaricabile e sostituibile, da 7,4 V / 5.200 mAh
- » Cicli di ricarica > 350 r
- » Allarme visivo per tensione bassa della batteria
- » Allarme visivo e acustico per indicare un flusso nominale insufficiente (inferiore a 170 litri/min.)
- » Fattore di protezione nominale (Nominal Protection Factor = NPF) 500
- » Livello di rumorosità: 65 dB
- » Tempo di funzionamento superiore alle 8 ore con flusso nominale minimo con filtro nuovo e batteria completamente caricata in un ambiente pulito (6 ore con flusso nominale massimo). Nell'uso effettivo, i tempi di funzionamento possono ridursi in modo significativo in base al livello di contaminanti presenti nell'ambiente.
- » **Nota importante! I tempi di funzionamento possono ridursi in caso di filtro intasato con una batteria carica**

Certificazione EN 12941:1998+A1:2003+A2:2008

Certificato da: APAVE SUDEUROPE SAS - ente notificato 0082
13322 MARSIGLIA
CEDEX 16
Francia

Questo DPI è conforme alle seguenti norme UE applicabili:



EN 12941:1998+A1:2003+A2:2008
EN166B:2001
EN379:2003 +A1:2009 EN175B

Simboli:

Fare riferimento al manuale di istruzioni:



Conservare tra 0 e 40°C (gradi Celsius):



Utilizzare entro il:



Tempo massimo di conservazione
Umidità <75%:



<75%

Simboli filtro:

R = significa che il filtro è riutilizzabile per più turni di lavoro
S = significa che il filtro protegge dalle particelle solide
L = significa che il filtro protegge dalle particelle liquide

15. GARANZIA

Il sistema Guardian Air è garantito per un periodo di 12 mesi a partire dalla data di acquisto per difetti meccanici o elettrici. La batteria Böhler è garantita per un periodo di 12 mesi a partire dalla data di produzione.

voestalpine Böhler Welding s'impegna a sostituire o riparare, senza alcuna spesa, eventuali componenti difettosi entro tale periodo. In alternativa, e a propria discrezione, voestalpine Böhler Welding potrà procedere alla sostituzione del prodotto. La presente garanzia è soggetta alle seguenti condizioni: Il sistema Guardian Air deve essere stato utilizzato unicamente per lo scopo previsto.

Il sistema Guardian Air non deve essere stato sottoposto a uso improprio, incidente, modifica o riparazione.

N.B. In caso di reclamo, contattare il rivenditore presso il quale è stato acquistato il sistema Guardian Air.

Questa garanzia non copre la normale usura del prodotto.

Essa non limita in alcun modo i diritti legali dell'utente.

РЪКОВОДСТВО ЗА ПОТРЕБИТЕЛЯ НА СИСТЕМИ PAPR

Одобрено съгласно BS EN12941 : 1998 - A1:2003+A2:2008 TH3 - УСТРОЙСТВО ЗА ЗАЩИТА НА ДИХАТЕЛНИТЕ ПЪТИЩА - ЕЛЕКТРИЧЕСКО ФИЛТРИРАЩО УСТРОЙСТВО, ЗА ВГРАЖДАНЕ В СЕРИЯ ЗАВАРЪЧНИ ШЛЕМОВЕ - КЛАС TH3 P R SL

ПРЕВОД НА ИНСТРУКЦИЯТА ЗА ПОТРЕБИТЕЛЯ

Производителят си запазва правото по всяко време и без предварително уведомление да прави промени и допълнения в тези инструкции за употреба, ако това се налага поради печатни грешки, неточности или подобрения на продукта. Такива промени обаче ще бъдат включени в следващите издания на инструкцията за употреба.

Най-новите ни продуктови документи, както и всички данни за контакт с **voestalpine Böhler Welding** можете да намерите на нашия уебсайт на адрес: www.voestalpine.com/welding.

ВАЖНО!

Това ръководство за употреба трябва да бъде прочетено и напълно разбрано преди да използвате оборудването. Ръководството за потребителя трябва да бъде запазено за бъдещи справки.

ЗАДЪЛЖИТЕЛНА ИНФОРМАЦИЯ ЗА ИЗПОЛЗВАНЕТО НА ЕЛЕКТРИЧЕСКИ ВЪЗДУХОПРЕЧИСТВАЩ РЕСПИРАТОР СЪС ЗАВАРЪЧНИ ШЛЕМОВЕ

При използване/работа със система PAPR (електрически въздухопечистващ респиратор) е задължително да бъдат стриктно спазвани настоящите инструкции за потребителя. Неспазването на тези инструкции може да обезсили всяка, предоставена или налична гаранция, свързана с продукта/продуктите. За конкретна информация за това гаранционно покритие, вижте условията на договора за покупка, свързан с продукта/продуктите.

Продуктът/продуктите са предназначени да защитят вашето здраве и благосъстояние. Неспазването на инструкциите за потребителя може да има неблагоприятно въздействие върху вашето здраве/благосъстояние.

Внимателно прочетете тези инструкции за потребителя, преди да разопаковате вашите продукт/продукти.

Те не съдържат препоръки относно пригодността на този продукт за вашите потребности. Ако имате въпроси относно пригодността на този продукт за изпълнение на вашата задача, се обърнете към органа по трудова медицина или се обадете на линията за техническа помощ.

Адрес и информация за контакт са отпечатани на страница 2.

СЪДЪРЖАНИЕ

1. Въведение
2. Обхват на приложението
3. Одобрения
4. Предварителни условия за използване
5. Общ преглед на системата
6. Разопаковане/Сглобяване
7. Преди използване
8. Използване
9. Поддръжка/Почистване
10. Установяване на неизправности
11. Съхранение и транспортиране
12. Списък на сертифицирани системи шлемове
13. Списък на частите и схема за сглобяване
14. Технически данни
15. Гаранция

1. ВЪВЕДЕНИЕ

Guardian Air е система за защита на дихателните пътища, основана на принципа на циркулация на въздух с положително налягане в шлема. Нагнетателен вентилатор, прикрепен към колана, доставя в шлема въздух през филтър и маркуч. Подаването на филтриран въздух създава положително налягане във вътрешността на шлема, което предотвратява навлизане на външен замърсен въздух в дихателната зона на потребителя.

2. ОБХВАТ НА ПРИЛОЖЕНИЕ

Системата PAPR е подходяща за всички приложения, където е приемливо сертифициране съгласно EN12941. Уредът не е подходящ за заваръчни дейности в затворени помещения. (Виж 4. Предпоставки за използване)

3. ОДОБРЕНИЯ

Guardian Air е проектиран и произведен в съответствие с EN12941: 1998 - A1:2003+A2:2008 г. като устройство TH3 P R SL.

На потребителят се препоръчва да прочете BS4275 (Ръководство за прилагане на ефективна програма за защита на дихателните пътища), което определя за устройство EN12941 TH3 P R SL, Номинален фактор на защита 500.

Системата PAPR е в състояние да осигури това ниво на защита, само когато се използва с филтри, предоставени от производителя, с обозначение „Böhler“ и „EN12941: 1998 TH3 P R SL“.

Заваръчните шлемове са сертифицирани съгласно EN 175B

Системите PAPR се произвеждат по система за качество ISO 9001:2000.

4. ПРЕДВАРИТЕЛНИ УСЛОВИЯ ЗА ИЗПОЛЗВАНЕ

Guardian Air трябва да се използва в стриктно съответствие с това ръководство за употреба и инструкциите, приложени със съответния шлем.

За да може правилно да ползва системата за защита на дихателните пътища, потребителят трябва да прочете и разбере всички следващи „Инструкции за използване“. Всички възникнали въпроси трябва да бъдат отправяни към точките за контакт с производителя, отбелязани на страница 2.

Когато системата PAPR е изключена, трябва да се очаква малка или никаква защита на дихателните пътища. При изключване на системата PAPR е възможно да възникне бързо натрупване на въглероден диоксид и изчерпване на кислорода в шлема и затова е от **особена важност, шлемът да не се използва, когато вентилаторът е изключен.**

GUARDIAN AIR НЕ ТРЯБВА ДА СЕ ИЗПОЛЗВА:

- » В атмосфера, представляваща непосредствена опасност за хигиената или здравето на потребителя, при съдържание на кислород под 19,5% или наличие на неизвестни вещества.
- » В затворени пространства или участъци без вентилация като резервоари, тръби, канали и т.н.
- » В близост до пламъци и/или искри
- » В участъци, в които съществува опасност от експлозия.
- » В места, изложени на силни ветрове.
- » Ако по някаква причина вентилаторът спре да работи, потребителят трябва незабавно да напусне замърсената зона.

ВАЖНО Е СЪЩО ТАКА:

- » Не се допуска нищо да докосва движещите се части.
- » Да не се извършват опити за модифициране или изменения по някакъв начин на системата PAPR или филтъра.
- » Да не се допуска попадане по някакъв начин на вода или други течности в устройството - по-специално в електромотора и вентилатора, филтъра или батерията.

Уверете се, че шлемът идеално приляга на лицето на потребителя. Само в този случай ефективността на системата ще бъде достатъчна. Коефициентът на защита на цялостната система се понижава, ако уплътнението на шлема не приляга правилно, например поради наличие на брада или дълга коса, навлизайки в линията на уплътнението.

Съществува възможност за захващане на маркуча към шлема по време на използване. Системата PAPR трябва да бъде разположена върху лицето по такъв начин, че да намали тази възможност.

Филтрите не могат да бъдат монтирани директно към шлема и не трябва да бъдат пригаждани за това.

Правилната защита на дихателните пътища няма да бъде обезпечена, ако по някакъв начин части от оборудването са модифицирани.

При много високи работни скорости, при максимален поток на вдишване, налягането в системата PAPR може да стане отрицателно. В случай на съмнение, потребителят трябва да се консултира с извършените оценки за здравословни и безопасни условия на труд и допустимия риск.

Системите PAPR са предназначени за използване само от компетентен, обучен персонал.

ВНИМАНИЕ!

Ако някое от тези условия не бъде следвано или спазено, гаранцията се обезсилва автоматично.

ПРЕПОРЪЧВА СЕ ПОТРЕБИТЕЛЯТ НЕЗАБВАЩО ДА НАПУСНЕ ЗАМЪРСЕНАТА ЗОНА, КОГАТО:

- » Има подадено звуково алармено предупреждение за минимален проектен дебит (MMDf)
- » Дишането стане затруднено
- » При поява на световъртеж или изтощение
- » При повреждане на частите на системата
- » Потокът въздух в шлема намалее или спре
- » Във вътрешността на шлема замърсителят може да бъде усетен на мирис или вкус
- » При по-голямата част от хората, няма известни данни, че материалите, които могат да влязат в контакт с кожата на потребителя, предизвикват алергични реакции, но в малко вероятния случай на такава реакция, потребителят трябва незабавно да напусне замърсената зона, да сваля устройството и потърси медицинска помощ.

5. ОБЩ ПРЕГЛЕД НА СИСТЕМАТА

Guardian Air е електрически респиратор, монтиран на колана, със сменяема система за филтриране на частици за еднократна употреба. Системата е сертифицирана с шлемовете, обхванати в раздел 10 и покрива размери на обиколката на главата от 535 до 600 мм.

Системата PAPR съдържа сменяем пакет акумулаторни батерии за 8 часова работа. (8 часа в чиста среда - в зависимост от нивата на прахови частици в атмосферата в работното помещение времето за работа може да бъде значително по-кратко)

Guardian Air предупреждава потребителя със звуков алармен сигнали и примигващи светодиодни индикатори, когато не бъде постигнат минималният проектен въздушен поток MMDf от 170 л/мин.

По време на работа, след подаване на звуково аларма, потребителят трябва незабавно да напусне работната зона и да достигне участък, определен като безопасен. Системата PAPR е съоръжена с визуална аларма за изтощена батерия и комбинирана алармена сигнализация за блокиран филтър - звукова и визуална. В зависимост от повредата, потребителят трябва да замени филтъра с нов (в силно запрашени среди филтърът се нуждае от по-честа смяна) и/или да презареда, или замени батерията с напълно заредена. Потребителят може да се върне на работното място, само когато системата PAPR функционира без включване на алармата, а след изпитване дебитът на въздуха е определен като приемлив.

Филтърът е специално разработен за това устройство. Използва се за филтриране на въздуха, вдишван от потребителя. От съществена важност е потребителят да проверява филтъра за признаци на повреда или деформации, които потенциално биха могли да допуснат проникване на замърсен въздух в системата. Когато филтърът е повреден или задръстен до точката на задействане на алармения механизъм на системата, той трябва да бъде изхвърлен.

Използваната сменяема акумулаторна батерия е литиево-йонна клетка. При доставка, батерията може да съдържа малък заряд. Преди първоначално използване на системата PAPR, батерията трябва да бъде изтощена напълно, след което да бъде заредена в продължение на шестнадесет часа.

6. РАЗОПАКОВАНЕ/СГЛОБЯВАНЕ

6.1. Разопаковане

Проверете цялостта на опаковката, и че нито една част не е повредена вследствие на транспорта или по други причини. Опаковката с пълната система PAPR, включително аксесоари, съдържа:

- » Guardian Air вкл. батерия, филтър PRSL и предварителен филтър
- » колан
- » маркуч за въздух
- » индикатор за въздушен поток
- » зарядно устройство
- » инструкция за потребителя

6.2. Сглобяване

Прикрепете нагнетателния вентилатор към колана: Прекарайте вътрешната лента през гайките от задната страна на вентилатора. Прекарайте я през гайките за колана и след това през катарашен. (Фиг. 1 / стр. 4)

Прикрепете батерията към модула на вентилатора. (Фиг. 3 / стр. 4)

6.2.1. Регулиране на колана спрямо талията:

Поставете колана около кръста си със системата PAPR отзад и свържете двата му края заедно.

Ако коланът е твърде разхлабен, плъзнете мъжкия регулатор надолу по колана към женската половина. Ако коланът е твърде стегнат. Плъзнете мъжкия регулатор навън от женската половина.

Повторете горните процеси, до постигане на удобно и сигурно прилягане. След като коланът приляга правилно, прекарайте излишната дължина от колана през гайките. (Фиг. 5 / стр. 4)

6.2.2. филтър за частици

Използвайте само филтри с маркировка Böhler, доставени от voestalpine Böhler Welding. Използването на други филтри ще доведе до анулиране на гаранцията и/или сериозен риск за здравето на потребителя, работещ с продукта/продуктите.

За оценка дали филтърът Böhler може да осигури подходяща защита срещу опасността, е необходимо да се проведе първоначална консултация с органа по трудово медицинство или да се обадите на линията за техническа помощ от страна на производителя.

Guardian Air е оборудван с високоефективни филтри за частици от клас P R SL.

Веднага след подаване на алармено звуково предупреждение, предварителният филтър трябва да бъде заменен или проверен. В силно запрашени участъци това може да е необходимо на по-чести интервали.

Филтрите трябва да бъдат редовно проверявани (виж 7.2. Тест за въздушен поток) и заменяни. Филтрите са предназначени да бъдат заменени и не трябва да се почистват/използват повторно.

Уверете се, че новите филтри са в рамките на техния срок на годност, неизползвани и без очевидни повреди.

От хигиенна гледна точка, максималният срок за експлоатация на основен филтър е 2 седмици или 90 часа, което от двете е по-голямо, и той не бива да се надвишава.

ПРЕДУПРЕЖДЕНИЕ!

При използване с този филтър е важно е потребителят да не бърка маркировките върху филтъра, отнасящи се до други стандарти, различни от EN12941 1998 -A1:2003+A2:2008, с класификацията на устройството.

6.2.3. Сваляне и поставяне на нови филтри

Отворете капака на филтъра, като издърпате капака навън от дясната страна на вентилатора. (Фиг. 6 / стр. 4)

ATTENTION! It is strictly forbidden to use any tools to open the filter cover.

За да извадите филтъра, издърпайте го от уреда. Почистете уреда от прах, като следите да не попада прах във входа за въздух.

Поставете новия филтър обратно на мястото му. (Фиг. 7 / стр. 4) Вкарайте го внимателно, докато прилепне добре към тялото на уреда.

Затворете капака на филтъра. Обърнете специално внимание, капакът на филтъра ще щракне на място, когато е добре затворен. Не е опитвайте да използвате вентилаторния блок без правилно поставен капак.

6.2.4. Смяна на предварителния филтър (Фиг. 7 / стр. 4):

Предварителният филтър представлява втулка, която се монтира върху основния филтър. За да го свалите/замените, просто свалете стария филтър и опънете новия на мястото му. Важно е да се уверите, че филтриращият материал на основния филтър е напълно покрит от предварителния филтър.

6.2.5. Прикрепване на маркуча към системата PAPR:

Подравнете шифтовете на байонетния съединител на маркуча със слотовете в изхода за въздух на системата PAPR. Притиснете байонетния съединител към вентилатора, докато опре в дъното на отвора, след което го завъртете по посока на часовниковата стрелка, докато фиксиращите шифтове се заключат на мястото си.

Същата процедура се прилага и за прикрепване на маркуча към шлема.

6.2.6. Поставяне на шлема Böhler Guardian Air:

1. Сглобете заваръчния шлем и регулирайте заваръчния филтър според вашите нужди. (Вижте инструкциите за потребителя на шлема)
2. Повдигнете шлема до неговата горна позиция.
3. Поставете на главата и регулирайте храповото колело за прикрепване към главата, като го натиснете и завъртите, до постигане на задоволителна стегнатост.
4. Издърпайте надолу еластичния предпазител за брадата като в същото време изтеглите шлема надолу. Уверете се, че еластичният предпазител приляга удобно под брадичката.
5. С това заваръчния шлем е готов да бъде използван.

7. ПРЕДИ ИЗПОЛЗВАНЕ

7.1 Проверка преди използване:

Преди да започнете работа, всеки път проверявайте:

- » Дали всички компоненти са в добро състояние, без видими повреди (като дупки, разкъсвания и т.н.). Заменете всички повредени или износени части. Извършете внимателна проверка на маркуча за въздух, уплътненията и маската за лицето.
- » Дали има добра връзка между маркуча за въздух, шлема и системата PAPR.
- » Дали има достатъчен въздушен поток. (виж 7.2. Тест за въздушен поток)
- » Въздухът се подава през цялата система PAPR от нагнетателния вентилатор към шлема.
- » Заредете батерията преди употреба за първи път, а преди всяко последващо използване, проверявайте дали батерията има достатъчен заряд. (виж 7.3. Батерии)
- » **Проверете правилното функциониране на алармите (виж 8. Използване)**

7.2. Тест за въздушен поток (Фиг. 4 / стр. 4)

1. Разединете маркучката за въздух от вентилатора.
2. Вмъкнете индикатора за въздушен поток в съединителя на маркучката за въздух и задръжте маркучката във вертикално положение, около нивото на очите.
3. Включете захранването. Въздушният поток е достатъчен, само ако сферичният индикатор достига минималното ниво за дебит на въздуха. Ако индикаторът потъва под нивото за минимален дебит, е необходимо да заредите батерията или да смените филтъра. Ако проблемът продължава да съществува, виж глава 10 за допълнителни препоръки.

7.3. Батерии

ЗАБЕЛЕЖКА! Батериите се доставят само частично заредени. Преди да бъдат използвани за първи път всички батерии трябва да бъдат заредени. Батерията може да се зарежда отделно или поставена на вентилатора.



Задължително е зарядното устройство за батерията, използвано за зареждане на продукта/продуктите, да е зарядното устройство, доставено с продукта/продуктите и одобрено от производителя. Използването на всякакво друго зарядно устройство за батерии ще доведе до анулиране на гаранцията и/или сериозен риск за здравето на потребителя, работещ с продукта/продуктите, опасност от пожар или експлозия.

Зарядното устройство не трябва да се използва за други цели освен тази, за която е произведено. Не зареждайте батерията в потенциално експлозивна атмосфера. Зарядното устройство за батерията е предназначено за използване на закрито. То трябва да бъде защитено от влага. Зарядното устройство управлява зареждането автоматично. След като батерията е заредена, зарядното устройство преминава в режим на дозареждане и поддържа батерията напълно заредена. Времето за зареждане е от 4 до 6 часа.

7.3.1. Зареждане на батерията



1. Проверете дали напрежението на захранващата електрическа мрежа е правилно.
2. Проверете дали зарядното устройство за батерията, използвано за зареждане на продукта/продуктите, е зарядното устройство, доставено с продукта/продуктите и одобрено от производителя. Важно е да се използва само доставеното зарядно устройство. Неспазването на това изискване, може да създаде сериозен риск от възникване на пожар или експлозия.
3. Включете зарядното устройство в контакта. Свържете го към вентилатора, когато батерията е поставена в него, или директно с батерията.
4. Свържете батерията със зарядното устройство. Гнездото за зареждане на батерията е разположено от задната и страна.
5. Състоянието на зареждане се обозначава с червен светодиоден индикатор.
6. След приключване на зареждането, се активира режим на дозареждане: - червеният светодиод изгасва, а в момента на включване на режима на дозареждане, светва зелен светодиод.

Изключете зарядното устройство от захранването. **Когато не се използва, не оставяйте зарядното устройство за батерията, включено в захранването!**

7.3.2. Смяна на батерията

Свалете на батерията:
Намерете захващането на батерията. Издърпайте назад захващането на батерията, след което може да я извадите като я повдигнете нагоре.

Поставяне на батерията:

Уверете се, че батерията е правилно обърната нагоре (съгласно 6.2) и след това я плъзнете в модула на вентилатора, докато захващането на батерията се заключи. От съществено значение е захващането на батерията да е напълно заключено. (Фиг. 3 / стр. 4)

8. ИЗПОЛЗВАНЕ

Включете вентилатора чрез натискане на бутона ON/OFF върху панела за управление. Чрез натискане на бутоните +/- въздушният поток може да бъде регулиран от 180 л/мин до 220 л/мин, на шест степенни за скорост. Зелените светодиоди показват действителното ниво на въздушния поток. Обърнете внимание, че за да бъде активирана настройката, при всяко натискане на бутоните, е необходимо да задръжите бутона натиснат в продължение на 2 секунди. Това е направено за избягване на случайни промени. (Фиг. 2 / стр. 4)

Guardian Air осигурява постоянно подаване на въздух. Микропроцесорът в устройството автоматично регулира скоростта на електромотора, за да компенсирате степента на замърсяване на филтъра и състоянието на батерията. Ако микропроцесорът не е в състояние да поддържа зададения въздушен поток, уредът ще подаде алармен сигнал (звук сигнал, който може да бъде чул), при което потребителят трябва да провери системата PAPR. Ако е възможно, микропроцесорът автоматично намалява въздушния поток до следващото по-ниско ниво. В случай, че не успее да достигне по-ниското ниво, алармата продължава да звучи. Когато въздушният поток спадне под минималното безопасно ниво за работа, към първата се присъединява втора звукова аларма. В този момент потребителят трябва незабавно да спре работа, да напусне работната среда и достигне участък, определен като безопасен, да смени филтъра, или да презареде/замени батерията.

За проверка на алармите е необходимо да блокирате изпускателния отвор за въздух с дланта си или с друго подходящо средство. След това, при включена система PAPR, електромоторът ще се опита да компенсира потока с увеличаване на скоростта, докато микропроцесорът не подаде алармен сигнал, както е описано по-горе.

За да проверите батерията: При първоначално стартиране на устройството, светодиодът на батерията върху панела за управление ще примигне в червено, след което ще изгасне. Ако остане да свети това показва, че батерията е изтощена и трябва да се зареди. Препоръчва се при започване на работна смяна да се използва само напълно заредена батерия.

При поставяне в устройството напълно заредена батерия, то трябва да функционира нормално. Ако все пак бъде подадена звукова аларма, потребителят трябва да замени филтъра. Ако проблемът продължава да съществува, виж глава 10 за допълнителни препоръки.

9. ПОДДЪРЖКА/ПОЧИСТВАНЕ

За да се поддържат в добро състояние, модулът на вентилатора, корпусът на филтъра и шлемът трябва да бъдат редовно почиствани.

За единични потребители, всички устройства могат да бъдат почиствани с кърпа, навлажнена с хладка вода и сапун. За множество потребители, при предаване от един

- Български -

потребител на друг, устройствата трябва да бъдат дезинфекцирани.

Не трябва да се допуска проникване на течности в системата PAPR или филтърния елемент.

Компонентите трябва да се оставят да изсъхнат на въздух. В никакъв случай не се допуска използване на разтворители или абразивни почистващи препарати. Уредът не трябва да се суши с използване на горещ въздух или лъчиста топлина.

При поддръжка в съответствие с настоящите инструкции, системата PAPR трябва да продължи да осигурява защита с проектните спецификации в продължение на 2 до 3 години. Преди всяка употреба потребителят трябва да проверява дали системата PAPR няма дефекти, като пукнатини, разцепени филтри и маркучи, напукана лицева маска и компоненти на шлема.

10. УСТАНОВЯВАНЕ НА НЕИЗПРАВНОСТИ

При внезапна промяна в подаването на въздух по време на използване на системата, е необходимо да се провери следното:

- » Правилно сглобяване на всички компоненти на системата за захранване с въздух.
- » Батерията и нейният съединител
- » Дали батерията не е повредена или функционира

незадоволително

- » Филтри и тяхното задръстване
- » Наличие на пробив в маркуча за въздух.
- » Дали уплътнението на каската не е повредено.
- » Дали след пълно презареждане на батерията времето за работа не е намаляло (ако това е така, е необходимо батерията да бъде заменена).

| НЕИЗПРАВНОСТ | ВЕРОЯТНА ПРИЧИНА | ПРЕПОРЪКИ |
|---|--|---|
| Системата PAPR изобщо не работи | <ul style="list-style-type: none"> » Напълно изтощена батерия (проверете дали вентилаторът работи с друга, заредена батерия) » Неизправен електромотор, платка или съединител | <ul style="list-style-type: none"> » Заредете батерията (ако проблемът продължава, проверете батерията) » Свържете се с вашия доставчик. |
| Недостатъчен въздушен поток | <ul style="list-style-type: none"> » Блокиран маркуч за въздух или въздухопровод » Теч на въздух » Батерията е недостатъчно заредена » Блокиран основен или предварителен филтър | <ul style="list-style-type: none"> » Проверете и премахнете блокирането. Проверете всички уплътнения, съединители и маркуча за въздух. Уверете се, че няма теч на въздух през големи или малки отвори » Заредете батерията (ако проблемът продължава, проверете батерията) » Заменете предварителния филтър. Ако и след това проблемът продължава, заменете основния филтър. |
| Кратко време за работа | <ul style="list-style-type: none"> » Задръстен филтър » Батерията не е достатъчно заредена | <ul style="list-style-type: none"> » Заменете филтрите » Заредете батерията. (Ако проблемът продължава, проверете батерията) |
| Батерията не може да се зарежда | <ul style="list-style-type: none"> » Контактът на батерията е повреден » Зарядното устройство е повредено | <ul style="list-style-type: none"> » Проверете контакта на батерията. » Свържете се с вашия доставчик |
| Батерията не може да бъде заредена достатъчно | <ul style="list-style-type: none"> » Батерията е с изтекъл срок за експлоатация | <ul style="list-style-type: none"> » Поставете нова батерия. |

11. СЪХРАНЕНИЕ И ТРАНСПОРТИРАНЕ

Когато не се използват, или по време на транспортиране, вентилаторът и устройството за главата, трябва да бъдат съхранявани в контейнера, в който са доставени, или друг подобен контейнер, защитени от пряка слънчева светлина, контакт с разтворители и от повреди вследствие на физически контакт с твърди повърхности/предмети. Не се допуска съхранение при температури извън диапазона от 0°C до +40°C или при относителна влажност над 75% RH.

12. СЕРТИФИЦИРАНИ СИСТЕМИ ШЛЕМОВЕ (стр. 5)

- 13 - Guardian 50M Air - 86669
- 13 - Guardian 50FM Air - 86682
- 13 - Guardian 62 Air - 57007
- 13 - Guardian 62F Air - 57029
- 14 - Big Vision Air - 73314

13. СПИСКЪН НА ЧАСТИТЕ И ЧЕРТЕЖ ЗА СГЛОБЯВАНЕ (стр. 5)

- 1 - Guardian Air (пълн вентилаторен комплект) - 86692
- 2 - моторен блок - 86668
- 3 - филтър за частици P R SL (4 pcs.) - 86655
- 4 - предварителен филтър (10 бр.) - 86655
- 5 - искрогасител - 86704
- 6 - капак на филтъра - 86657
- 7 - стандартна батерия (5200 mAh) - 86660
- 7 - батерия с повишена мощност (7800 mAh) - 57075
- 8 - универсално зарядно устройство - 57081
- 9 - гъвкав маркуч за въздух, вкл. защита на маркуча - 57065
- 10 - комфортен колан - 57144
- 11 - сбруя за рамо - 57146
- 12 - тестер за въздушен поток - 57184
- 15 - шлем, уплътнение за лицето - 57182
- 16 - торба Böhler (син) - 57186
- 16 - торба Böhler (черен) - 86702

14. ТЕХНИЧЕСКИ ДАННИ

Guardian Air е олекотена и лесна за работа система PAPR. Снабдена е със сменяем филтър за твърди частици. Системата осигурява надеждна защита срещу прахови частици и аерозоли.

- » Въздушен поток: 180 до 220 л/мин. при минимален дебит за подаване на алармен сигнал от 170 л/мин.
- » Тегло с филтър и батерия: 870 г
- » Работна температура между 0°C и + 40°C
- » Тип на филтъра: P R SL
- » Тип батерия: Сменяема, акумулаторна, литиево-йонна 7,4 V / 5200 mAh
- » Брой цикли на зареждане > 350
- » Визуална аларма за ниско напрежение на батерията
- » Визуална и звукова алармена сигнализация за недостатъчен въздушен поток (под 170 л/мин)
- » Номинален фактор на защита (NPF = Nominal protection factor): 500
- » Ниво на шума: 65 dB
- » Време на работа над 8 часа, при минимален въздушен поток, с нов филтър и напълно заредена батерия в чиста среда. (6 часа при максимален въздушен поток.) При реална експлоатация, в зависимост от нивото на замърсители в околната среда, времето за работа може да бъде значително по-кратко.
- » **Забележка! Времето за работа може да бъде съкратено и в случаи на задръстен филтър при заредена батерия**

Сертификация съгласно EN 12941:1998+A1:2003+A2:2008

Сертифициран от: APAVE SUDEUROPE SAS Нотифициран орган 0082
13322 MARSEILLE
CEDEX 16
Франция

Това устройство от категорията лични предпазни средства (ЛПС) отговаря на изискванията на следните приложими стандарти на ЕС:



EN 12941:1998+A1:2003+A2:2008
EN166B:2001
EN379:2003 +A1:2009 EN175B

Символи:

Направете справка с ръководството на производителя:



Да се съхранява между 0-40°C (градуса по Целзий):



Годност до:



Максимално съхранение Влажност <75%:



<75%

Символи за филтъра:

R = означава, че филтърът може да се използва многократно за повече от една работна смяна.

S = означава, че филтърът предпазва от твърди частици.

L = означава, че филтърът предпазва от течни частици.

15. ГАРАНЦИЯ

Guardian Air е гарантиран срещу механични или електрически дефекти за период от 12 месеца от датата на закупуване. Батерията Böhler е гарантирана за период от 12 месеца от датата на производство.

В рамките на този период voestalpine Böhler Welding се задължава да смени или ремонтира безплатно, всяка част, за която е установено, че е дефектна. Като алтернатива и по свое усмотрение voestalpine Böhler Welding може да извърши замяна.

Настоящата гаранция е валидна когато:

Guardian Air е използван единствено за целта, за която е предназначен.

Guardian Air не е бил обект на неправилна употреба, инцидент, модификация или ремонт.

Забележка: В случай на предявяване на рекламация се свържете с търговеца, от който е закупен Guardian Air.

Тази гаранция не покрива нормалното износване и амортизация.

Тази гаранция не засяга вашите законни права.

Guardian Air

PAPR 系统用户使用说明书

已通过 BS EN12941:1998 - A1:2003+A2:2008 认证
呼吸保护装置 - 电动过滤装置,包括一系列焊接头盔
级别 TH3 P R SL

用户指南的翻译

制造商保留权利,在任何时候,在没有事先通知的情况下,由于错误的印刷,不准确或产品的改进,对这些用户说明进行必要的修改和修正。然而,这些变化将被纳入后续版本的说明书中。

我们最新的产品文件以及奥钢联博勒焊接公司的所有联系方式都可以在我们的网站上找到: www.voestalpine.com/welding。

重要!

在使用设备之前,必须阅读并完全理解本用户使用说明书。
必须保留本用户使用说明书以备将来参考之用。

关于使用带有焊接头盔的电动空气净化 (POWERED AIR PURIFYING) 呼吸器的强制性信息

当使用/操作 PAPR (电动空气净化呼吸器) 系统时,必须严格遵守这些用户使用说明。不遵守这些使用说明可能会使产品的任何保修服务失效。有关此类保修范围的具体细节,请参阅产品的购买合同条款

本产品旨在保护您的健康和福祉。不遵守这些用户使用说明也可能对您的健康/福祉产生不利影响。

在打开产品包装之前,请仔细阅读这些用户使用说明。

关于本产品是否适合您的需求,这里没有具体的建议。如果您对本产品是否适合您的任务有任何疑问,请联系职业卫生师或致电制造商的技术帮助热线。

第2页上印有地址联系信息。

内容

1. 简介
2. 应用范围
3. 认证
4. 使用的先决条件
5. 系统概述
6. 拆箱/组装
7. 使用前
8. 使用方法
9. 维护/清洁
10. 故障查找
11. 储存和运输
12. 经过认证的头盔系统清单
13. 零件清单和装配图
14. 技术数据
15. 保修

1.简介

Guardian Air 是一种呼吸保护系统,它基于头盔中压缩空气循环的原理。安装在皮带上的鼓风机单元通过过滤器和空气软管将空气送入头盔。过滤空气的供应在头盔内部产生正压力,这可以防止外部污染空气进入使用者的呼吸区域。

2.应用范围

本 PAPR 系统适用于所有 EN12941 认证所认可的应用。本装置不适合狭窄空间内的焊接。(见4.使用的前提条件)

3.认证

Guardian Air 的设计和制造符合 EN12941 :1998 - A1:2003+A2:2008 标准,它属于 TH3 P R SL 设备。

建议用户阅读 BS4275 (有效使用呼吸保护装置的程序指南),该指南将 EN12941 TH3 P R SL 标称保护系数定为 500。

PAPR 系统只有与制造商提供的标有“Böhler”和“EN12941 :1998 TH3P R SL”字样的过滤器一起使用,才能提供这种级别的保护。

焊接头盔符合 EN 175B 标准

PAPR 系统根据 ISO 9001:2000 质量体系制造。

4.使用的先决条件

Guardian Air 的使用必须严格按照本用户使用说明书和相应头盔随附的说明。

用户必须阅读并理解以下所有“使用说明”，以便能够正确使用本呼吸防护系统。如果有任何问题，请联系第2页上注明的生产商联络点。

当 PAPR 关闭时，呼吸保护功能会降低或丧失。当 PAPR 系统关闭时，可能会发生头盔内二氧化碳的迅速积聚和氧气的消耗，因此重要的是在关闭时不使用鼓风机单元。

在以下情形不得使用 **GUARDIAN AIR**：

- » 在对用户卫生或健康有直接危害，或者氧气含量低于19.5%或含有未知物质的环境中。
- » 在密闭空间或不通风的区域，如储罐、管道、沟渠等。
- » 靠近火焰和/或火花
- » 在有爆炸危险的区域。
- » 在有强风的地区。
- » 如果鼓风机单元因任何原因停止工作，用户必须立即离开污染区域。

同样重要的是：

- » 切勿触摸运动零部件。
- » 不得以任何方式修改或变更 PAPR 系统或过滤器。
- » 不得让水或其它液体以任何方式进入设备 - 特别是电机和风扇、过滤器或电池。

确保头盔完美贴合使用者的面部。确保系统有足够的效率。如果头盔的密封不当，例如由于胡须或长发进入密封线，则整个系统的保护性能会降低。

头盔上的软管可能会被缠住。PAPR 系统安装在人身上时应尽量减少这种可能性。

过滤器不能直接安装在头盔上，也不应该试图这么做。

无论以何种方式修改设备的零部件，都将影响系统正常的呼吸保护功能。

在非常高的工作速率下，PAPR 系统中的压力在吸入流量为峰值时可能变为负值。如果有任何疑问，用户应咨询当地健康与安全人员并进行适当风险评估。

PAPR 系统仅供经过培训的合格人员使用。

注意！

如果不遵守这些条件，
保修服务将自动失效。

如果出现以下情况，建议用户立即离开污染区域：

- » 制造商的最小设计流量 (MMDF) 警报响起
- » 呼吸变得困难
- » 发生头晕或感到不适
- » 系统的零部件损坏
- » 进入头盔的气流减少或停止
- » 污染物可以在头盔内部闻到或尝到
- » 如果材料与使用者皮肤接触，虽然未知其是否会对大多数人造成过敏反应，但即使在不可能发生反应的情况下，使用者也应立即离开受污染区域，取下装置并寻求医疗帮助。

5.系统概述

Guardian Air 是一种安装在皮带上的电动呼吸器，带有可更换的一次性高效颗粒过滤系统。该系统经过第10节所述的头盔认证，其规格涵盖了 535 至 600mm 周长的头部尺寸。

PAPR 系统包含一个可拆卸的 8 小时可充电电池组。(在清洁的环境中使用 8 小时 - 在车间，根据大气中的微粒含量，使用时间可能大大减少)

当 MMDF 为 170 L / min 时，Guardian Air 将通过其声音警报和闪烁的 LED 指示灯来警告用户。

操作时一旦警报响起，用户必须立即离开工作区域并到达指定的安全区域。PAPR 系统具有低电量和多重警报的可视警报系统 - 从听觉和视觉上对过滤器的堵塞进行报警。根据故障，用户应更换新的过滤器 (在多尘的环境中，过滤器需要经常更换) 和/或重新充电或更换充满电的新电池。只有在 PAPR 系统工作正常，警报声已关闭且流量测试可接受的情况下，用户才能返回工作场所。

本过滤器专为本呼吸器而开发。它用于过滤用户呼吸的空气。用户必须检查过滤器是否有任何可能使污染空气进入系统的潜在损坏或变形。如果过滤器损坏或堵塞到触发系统报警的程度，则必须处理过滤器。

所使用的可拆卸可充电电池是锂离子电池。当供电时，电池可以保持少量电量，在第一次使用前 PAPR 系统应该耗尽电池，然后充电 16 小时。

6. 折箱/组装

6.1. 折箱

检查包装是否完整，是否因运输或其他原因导致零件损坏。包含附件在内的完整 PAPR 系统的包装应包括：

- » Guardian Air，包含电池和 P R S L 过滤器及预过滤器
- » 皮带
- » 空气软管
- » 空气流量指示器
- » 充电器
- » 用户说明

6.2. 安装

将鼓风机单元安装到皮带上：将内带穿过鼓风机环的后部。穿过皮带环然后穿过带扣。(图 1 / 第 4 页)

将电池安装到鼓风机单元上。(图 3 / 第 4 页)

6.2.1. 腰带调整：

用腰带将 PAPR 系统系在腰部，然后将两端固定在一起。如果皮带太松，请将公调节器沿皮带向母半侧滑动。如果皮带太紧，将公调节器滑离母半侧。重复上述过程，直到实现舒适和牢固的装配。一旦皮带正确装配，请将多余的皮带材料固定在皮带环上。(图 5 / 第 4 页)

6.2.2. 颗粒过滤器

仅使用标记由奥钢联伯乐焊接公司提供的 Böhler 过滤器。使用任何其他过滤器将导致任何保修服务失效和/或对操作本产品的用户的健康造成严重危害。

首先应咨询职业卫生师或致电制造商技术帮助热线，确定带 Böhler 标记的过滤器是否能对这种危害提供适当的防护。

Guardian Air 配备了 P R S L 等高效颗粒过滤器。

一旦报警声响起，应更换或检查预过滤器。在尘土飞扬的区域，可能经常需要这么做。

必须定期检查过滤器(见 7.2. 气流测试)并更换。过滤器应更换，不得清洗/重复使用。

确保新过滤器在其有效期内、未使用且未明显损坏。从卫生的角度来看，主过滤器的最长工作时间为 2 周或 90 小时，以较大者为准，不应超过之。

警告！

重要的是，用户不得将与 **EN12941 1998 -A1:2003+A2:2008** 以外的任何其它标准相关的过滤器上的标记与本过滤器一起使用的本设备分类标记相混淆。

6.2.3. 拆下过滤器并安装新过滤器

从鼓风机的右侧向外拉开过滤器的盖子，打开过滤器的盖子。(图 6/图 4 页)

注意! 严禁使用任何工具来打开过滤器盖。

要拆下过滤器，请将其从设备中拉出。清洁设备上的灰尘，确保没有灰尘进入进气口。

将新的过滤器插回原位。(图 7/第 4 页) 将其轻轻推入，直到

其与设备主体完全吻合。

关闭过滤器盖。要特别注意，当正确关闭时，过滤器盖会卡住。在没有正确安装盖子的情况下，不要试图使用鼓风机设备。

6.2.4. 更换预过滤器(图 7 / 第 4 页):

预过滤器是一个套筒，安装在主过滤器上。拆卸/更换时，只需拉下旧的过滤器并将新的过滤器拉到合适的位置。重要的是，要确保主过滤器的过滤介质完全被预过滤器覆盖。

6.2.5. 将软管连接到 PAPR 系统：

将软管卡口连接器的插针与 PAPR 系统的出风口中的插槽对齐。将卡口连接器推入鼓风机，直至其到达孔的底部，然后顺时针方向扭转，直到定位销卡入到位。

将软管安装到头盔上的过程与此相同。

6.2.6. 戴上 Böhler GuardianAir 头盔：

1. 设置焊接头盔并把调整焊接过滤器到合适位置。(参阅头盔的用户说明)
2. 将头盔抬到上方位置。
3. 将头套棘轮放在头部之上并通过推入和扭转进行调节，直到达到令人满意的紧密度。
4. 向下拉有松紧带的下巴护罩，同时将头盔向下拉。确保有松紧带的下巴护罩舒适地贴合在下巴下方。
5. 焊接头盔现在就可以使用了。

7. 使用前

7.1 使用前的检查：

每次开始工作前，请检查：

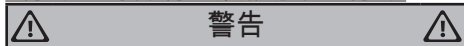
- » 所有组件都处于良好状态，没有明显的损坏(如破孔、撕裂等)。更换任何损坏或磨损的零件。仔细检查空气软管、密封件和面罩。
- » 空气软管和头盔以及 PAPR 系统之间有良好的连接。
- » 有足够的空气流量。(见 7.2. 气流测试)
- » 空气通过整个 PAPR 系统从鼓风机供应到头盔。
- » 首次使用前请给电池充电，并在每次使用前检查电池是否充足电。(见 7.3. 电池)
- » 确保报警功能正常(见 8. 使用方法)

7.2. 气流测试：(图 4 / 第 4 页)

1. 从鼓风机单元上断开空气软管。
2. 将气流指示器插入空气软管接头，并将软管保持在与眼睛齐平的位置。
3. 打开电源装置。仅当球指示器达到最小流量水平时，气流才足够。如果指示器显示低于最小流量水平，则需要为电池充电或更换过滤器。如果问题仍然存在，请参阅第 10 章推荐的其它解决方法。

7.3. 电池

注意! 电池交付时仅部分充电。所有电池在首次使用前必须先充电。电池可单独充电或在鼓风机单元上充电。



用于为产品充电的电池充电器必须是在收到产品时交付给您的电池充电器，并且是制造商认可的电池充电器。使用任何其它电池充电器将导致任何保修服务无效和/或由于严重的火灾或爆炸对操作本产品的用户的健康构成严重风险。

充电器不得用于充电器拟定用途以外的任何其它用途。请勿在具有潜在爆炸风险的环境中为电池充电。电池充电器适合室内使用。它必须防潮。充电器自动控制充电。电池充电后，充电器切换到涓流充电状态并保持电池充满电的状态。充电时间为 4 至 6 小时。

7.3.1. 电池充电



1. 检查电源电压是否正确。
2. 确认用于为产品充电的电池充电器是在收到产品时交付给您的电池充电器，并且是制造商认可的电池充电器。必须仅使用提供的充电器。否则可能会导致严重的火灾或爆炸危险。
3. 将充电器插入插座。安装电池时直接插入鼓风机或直接插入电池。
4. 将电池连接到充电器。电池的插座位于背面。
5. 充电状态由红色 LED 二极管灯指示。
6. 充电完成后，激活涓流充电功能：- 红色 LED 二极管熄灭，绿色 LED 二极管在涓流充电时亮起。
7. 断开充电器与电源的连接。

如果不使用，请勿将电池充电器继续通电!

7.3.2. 电池更换

取出电池：
找到电池扣。拉回电池卡扣，同时向上提起可以取出电池。

安装电池：
确保电池正确向上（按 6.2），然后滑入鼓风机单元直至电池卡扣接合。电池卡扣完全锁定至关重要。（图 3 / 第 4 页）

8. 使用方法

按控制面板上的 ON / OFF 按钮打开鼓风机单元。可以通过按下 + / - 按钮从 180 l / min 到 220 l / min 以六种速度调节气流。绿色 LED 二极管显示实际气流水平。请注意，每次按下按钮，都需要按住按钮 2 秒钟才能执行操作。这是为了避免意外的变化。（图 2 / 第 4 页）

Guardian Air 确保持续供应空气。设备内部的微处理器自动调节电机速度，以补偿过滤器堵塞和电池状态变化。如果微处理器无法保持调节后的气流，则设备将发出“蜂鸣”警报（可听到声音信号），此时用户必须检查 PAPR 系统。如果可能，微处理器会自动将气流降低到下一个较低的水平，如果不能达到较低水平，则警报仍然响起。当气流低于最低安全操作水平时，则继第一个警报声后会产生第二个报警声。此时，用户必须立即停止工作，离开工作环境并到达指定安全的区域并更换过滤器或重新充电/更换电池。

要检查警报，必须用手掌或其他合适的方法将空气出口堵住。然后在 PAPR 系统接通的情况下，电动机将尝试通过增加速度进行补偿，直到微处理器如上所述发出警报。

检查电池：首次启动设备时，控制面板上的电池 LED 指示灯将呈红色闪烁，然后熄灭。如果指示灯持续亮起，表示电池电量不足，应该充电。建议在轮班工作开始时只使用充满电的电池。

使用充满电的电池后，设备应正常工作，但如果声音警报响起，则用户必须更换过滤器。如果问题仍然存在，请参阅第 10 章推荐的其它解决方法。

9. 维护/清洁

必须定期清洁鼓风机单元、过滤器外壳和头盔，以保持良好的工作状态。

对于单个用户，可以用蘸温水和肥皂的布清洁所有单元。对于多个用户，当从一个用户传递到另一个用户时，应对这些单元进行消毒。

不得让液体进入 PAPR 系统的工作区域或接触过滤器的元件。

零件应该风干。在任何情况下都不应使用任何溶剂或磨蚀性清洁剂。不得使用热空气或辐射热干燥设备。

当按照这些说明进行维护时，PAPR 系统应继续根据设计规范提供 2 至 3 年的保护。在每次使用之前，如有必要用户应检查 PAPR 系统是否有缺陷，例如裂缝，过滤器和软管开裂，遮阳板和头盔部件出现裂纹等。

10.故障查找

如果在使用系统时气源突然发生变化,则需要检查以下内容:

- » 供气系统的所有部件都正确组装。
- » 空气软管上是否有破孔。
- » 电池及其连接器
- » 头盔密封圈是否损坏。
- » 电池是否有故障或功能不正常
- » 电池充满电后的工作时间是否降低(如果是,则需要更换电池)。
- » 过滤器及其堵塞

| 故障 | 可能的原因 | 建议 |
|---------------|---|--|
| PAPR 系统完全不起作用 | <ul style="list-style-type: none"> » 使电池完全放电 (验证鼓风机单元是否与另一个充电电池一起工作) » 电机,电路板或连接器出现故障 | <ul style="list-style-type: none"> » 给电池充电 (如果问题仍然存在,请检查电池) » 联系您的供应商。 |
| 气流低 | <ul style="list-style-type: none"> » 空气软管或空气导管堵塞 » 泄漏 » 电池充电不够 » 过滤器或预过滤器堵塞 | <ul style="list-style-type: none"> » 检查并清除堵塞物。检查所有密封件、连接器和空气软管。确保空气不会通过孔或撕裂处泄漏。 » 给电池充电 (如果问题仍然存在,请检查电池) » 更换预过滤器。 然后,如果问题仍然存在,请更换主过滤器。 |
| 操作时间短 | <ul style="list-style-type: none"> » 过滤器堵塞 » 电池未正确充电 | <ul style="list-style-type: none"> » 更换过滤器 » 给电池充电。 (如果问题仍然存在,请检查电池) |
| 电池无法充电 | <ul style="list-style-type: none"> » 电池触点损坏 » 充电器有故障 | <ul style="list-style-type: none"> » 检查电池触点。 » 联系您的供应商 |
| 电池无法充满电 | <ul style="list-style-type: none"> » 电池损坏 | <ul style="list-style-type: none"> » 安装新电池。 |

11.储存和运输

不使用时或在运输过程中,鼓风机和头部单元应存放在交付它们的容器或其它类似容器中,使其不受阳光直射,不与溶剂接触,不会因与坚硬的表面/物品的物理接触而损坏。请勿在 + 0°C 至 + 40°C 以外的温度范围或湿度高于 75% RH 的温度范围内存放。

12.头盔系统认证 (第 5 页)

- 13 - Guardian 50M Air - 86669
- 13 - Guardian 50FM Air - 86682
- 13 - Guardian 62 Air - 57007
- 13 - Guardian 62F Air - 57029
- 14 - Big Vision Air - 73314

13.零件清单和装配图 (第 5 页)

- 1 - Guardian Air (完整鼓风机套件) - 86692
- 2 - 电机单元 - 86668
- 3 - 颗粒过滤器 PRL (4 件) - 86645
- 4 - 预过滤器 (10 件) - 86655
- 5 - 火花防护装置 - 86704
- 6 - 过滤器盖 - 86657
- 7 - 标准电池(5,200mAh) - 86660
- 7 - 耐用电池(7,800mAh) - 57075
- 8 - 通用充电器 - 57081
- 9 - 柔性软管,包括空气软管保护 - 57065
- 10 - 舒适腰带 - 57144
- 11 - 肩带 - 57146
- 12 - 气流测试仪 - 57184
- 15 - 头盔面罩 - 57182
- 16 - Böhler 套件包 (蓝色的) - 57186
- 16 - Böhler 套件包 (黑色) - 86702

14. 技术数据

Guardian Air 是一种重量轻且易于操作的 PAPR 系统。它配备了可更换的微粒过滤器。该系统可提供可靠的保护, 过滤颗粒物和气溶胶。

- » 空气流量: 180 至 220 升/分钟。警报发出的最小流量为 170 升/分钟。
- » 过滤器和电池重量: 870 g
- » 工作温度在 0°C 至 +40°C 之间
- » 过滤器类型: P R SL
- » 电池类型: 可更换和可充电锂离子电池 7.4 V / 5,200 mAh
- » 充电周期 > 350 r
- » 低电池电压的视觉报警
- » 流量不足 (低于 170 l / min) 视觉和听觉警报
- » 标称保护系数 (NPF = Nominal Protection Factor): 500
- » 噪音等级: 65 dB
- » 在最小流量下运行时间大于 8 小时, 在干净的环境中使用新的过滤器和充满电的电池。(最大流量时为 6 小时)。在实际使用中, 运行时间可因环境中污染物的水平显著降低
- » 注意! 采用充电电池时若过滤器堵塞, 可缩短工作时间

EN 12941: 1998 + A1: 2003 + A2: 2008 认证
认证机构: APAVE SUDEUROPE SAS Notified Body 0082
13322 MARSEILLE
CEDEX 16
法国

该 PPE 设备符合以下适用的欧盟标准:

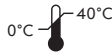


EN 12941:1998+A1:2003+A2:2008
EN166B:2001
EN379:2003+A1:2009 EN175B

符号:
请参阅制造商
使用说明书:



储存温度在 0-40°C 之间
(摄氏度):



储存至:



最大存储
湿度 < 75%:



过滤器符号:

R = 该符号表示过滤器可重复使用多次
S = 表示过滤器可过滤固体颗粒。
L = 表示过滤器可过滤液体颗粒。

15. 保修

从购买之日起, Guardian Air 保证在 12 个月内不会出现机械或电气缺陷。

Böhler 电池自生产之日起保修 12 个月。

奥钢联伯乐焊接公司承诺在此期间免费更换或修理任何零件。另外, 奥钢联伯乐焊接公司可自行决定是否更换。

此保修受以下条款限制:

Guardian Air 仅用于其拟定用途。

Guardian Air 未遭受误用、事故、修改或修理。

注: 如果发生索赔, 请联系向其购买 Guardian Air 的零售商。

正常磨损不在保修之列。

此保修不会影响您的合法权利。

Guardian Air

UŽIVATELSKÁ PŘÍRUČKA PRO FILTRAČNĚ VENTILAČNÍ JEDNOTKY PAPR

Schváleno dle BS EN 12941 : 1998 - A1:2003+A2:2008 TH3 - OCHRANNÉ RESPIRAČNÍ ZAŘÍZENÍ – FILTRAČNĚ VENTILAČNÍ JEDNOTKA S ŘADOU FILTRŮ P R SL - TŘÍDY TH3 DO SVÁŘEČSKÝCH KUKEL

PŘEKLAD NÁVODU K POUŽITÍ

Výrobce si vyhradzuje právo kdykoli a bez předchozího upozornění provést změny a doplňky tohoto návodu k použití, které budou nezbytné z důvodu tiskových chyb, nepřesností nebo vylepšení výrobku. Takové změny však budou zapracovány do následujících vydání návodu k použití.

Naše nejnovější dokumenty k výrobkům a veškeré kontaktní údaje na společnost **voestalpine Böhler Welding** najdete na našich webových stránkách na adrese: www.voestalpine.com/welding.

DŮLEŽITÉ!

Tuto uživatelskou příručku je třeba si přečíst a plně jí porozumět před použitím zařízení. Příručku si musíte uschovat k pozdějšímu nahlédnutí.

NEZBYTNÉ INFORMACE PRO POUŽÍVÁNÍ FILTRAČNĚ VENTILAČNÍ JEDNOTKY (PAPR – POWERED AIR PURIFYING RESPIRATOR) SE SVÁŘEČSKÝMI KUKLAMI

Při používání/provozu filtračně ventilační jednotky PAPR je naprosto zásadní řídit se těmito pokyny pro uživatele. Nedodržení těchto pokynů může vést ke zneplatnění jakékoli vám nabízené nebo dostupné záruky na produkt(y). Ohledně konkrétních podrobností pokrytí záruky na produkt(y) se prosím podívejte na podmínky vaší nákupní smlouvy.

Produkt(y) jsou určeny k ochraně vašeho zdraví a duševní pohody. Nedodržení těchto pokynů může také nepříznivě ovlivnit vaše zdraví nebo duševní pohodu.

Uživatelskou příručku si pozorně přečtěte ještě před vybalením produktu/ů.

Co se týče vhodnosti tohoto produktu pro vaše potřeby, neposkytujeme žádná doporučení. S případnými dotazy na vhodnost produktu pro vaši práci se prosím obraťte na odborníka na BOZP.

Kontaktní adresa je uvedena na straně 2.

OBSAH

1. Úvod
2. Rozsah použití
3. Schválení
4. Podmínky před použitím
5. Přehled zařízení
6. Vybalení/montáž
7. Před použitím
8. Použití
9. Údržba/čištění
10. Hledání závad
11. Skladování a přeprava
12. Seznam certifikovaných kukel
13. Seznam částí zařízení a vyobrazení montáže
14. Technické údaje
15. Záruka

1. ÚVOD

Guardian Air je respirační ochranné zařízení založené na principu cirkulace vzduchu s přetlakem v kukle. Ventilační jednotka namontovaná na opasek dodává vzduch přes filtr a vzduchovou hadici do kukly. Dodávka filtrovaného vzduchu vytváří uvnitř helmy přetlak, který zabraňuje vnikání znečištěného vzduchu zvenčí do dýchacího prostoru uživatele.

2. ROZSAH POUŽITÍ

Jednotka PAPR je vhodná pro veškeré použití tam, kde je přítelatelná certifikace EN12941. Jednotka není určena ke svařování v omezených prostorech (viz 4. Podmínky před použitím).

3. SCHVÁLENÍ

Guardian Air byl navržen a vyroben podle normy EN12941:1998 - A1:2003+A2:2008 jako zařízení P R SL s třídou ochrany TH3.

BS4275 (Průvodce zavedením programu pro účinná zařízení k ochraně dýchání), který je doporučen uživatelům, definuje zařízení P R SL TH3 splňující normu EN12941 jako zařízení s jmenovitý ochranný faktor 500.

Filtračně ventilační jednotka PAPR poskytuje tento stupeň ochrany, pouze pokud je použita s filtry značky Böhlers označením „EN12941:1998 TH3 P R SL“.

Svářecí kukly jsou certifikovány podle normy EN 175B.

Jednotky PAPR jsou vyrobeny podle systému kvality ISO 9001:2000.

4. PODMÍNKY PŘED POUŽITÍM

Guardian Air musí být používán přísně v souladu s touto uživatelskou příručkou a pokyny dodanými s příslušnou kuklou.

Uživatel si musí přečíst všechny následující „Pokyny k použití“ a porozumět jim, aby byl schopen toto ochranné respirační zařízení používat správně. S jakýmkoli dotazy se obračtejte na výrobce, jeho kontaktní údaje jsou uvedeny na straně 2.

U vypnuté filtračně ventilační jednotky PAPR lze očekávat malou nebo žádnou ochranu dýchání. Když se jednotka PAPR vypne, může uvnitř kukly rychle dojít k nárůstu hladiny oxidu uhličitého a vyčerpání kyslíku, proto **je zásadní nepoužívat ventilační jednotku, je-li jednotka PAPR vypnutá.**

GUARDIAN AIR SE NESMÍ POUŽÍVAT:

- » V ovzduší, které je nebezpečné pro hygienu nebo zdraví uživatele a/nebo obsahuje méně než 19,5 % kyslíku nebo obsahuje neznámé látky.
- » V omezených nebo nevětraných prostorách, jako jsou náráže, potrubí, kanály apod.
- » V blízkosti plamenů a/nebo jisker
- » V místech s nebezpečím výbuchu
- » V oblasti se silným větrem
- » Pokud ventilační jednotka přestane z nějakého důvodu pracovat, uživatel musí neprodleně opustit znečištěný prostor.

ROVNĚŽ JE ZÁSADNÍ NÁSLEDUJÍCÍ:

- » Pohyblivých dlů se nesmí nic dotýkat.
- » Jednotku PAPR nelze nijak upravovat ani měnit.
- » Do jednotky se nesmí dostat voda ani jiné kapaliny – zvláště do motoru a větráku, filtru nebo baterie.

Zajistěte, aby kukla dokonale přiléhala k tváři uživatele. Jen tak je zařízení dostatečně účinné. Ochranný faktor celého zařízení se sníží, pokud automaticky netěsní, například kvůli vousům nebo dlouhým vlasům v místech utěsnění.

Je možné, že při používání zachytíte o hadici ke kukle. Filtračně ventilační jednotka musí být na člověka nasazena tak, aby se tato možnost omezila.

Filtry nelze umístit přímo ke kukle a nelze je k tomu přizpůsobovat.

Pokud budou jakýmkoli způsobem upraveny jakékoli součásti zařízení, nebude poskytnuta ochrana dýchání.

Při velmi vysokých pracovních rychlostech může v jednotce PAPR při proudění vzduchu s intenzivním vdechováním dojít k podtlaku. V případě dotazů se musí uživatelé obrátit na místní personál BOZP a musí být provedeno vyhodnocení přijatelných rizik.

Filtračně ventilační jednotky PAPR jsou určeny pouze pro kompetentní, vyškolený personál.

UPOZORNĚNÍ!

V případě nedodržení jakékoli z těchto podmínek, je záruka automaticky neplatná.

UŽIVATEL BY MĚL NEPRODLENĚ OPUSTIT ZNEČIŠTĚNOU OBLAST, POKUD:

- » Zazní alarm pro minimální konstrukční proudění dle výrobce (MMDF)
- » Začne se mu špatně dýchat
- » Cítí závratě nebo úzkost
- » Je poškozena jakákoli součást zařízení
- » Sníží se nebo zastaví proudění vzduchu do kukly
- » Uvnitř kukly cítí zápach nebo příchut znečišťující látky
- » Materiály, které mohou přijít do styku s kůží, nezpůsobují běžně u většiny lidí alergické reakce, nicméně v (nepravděpodobném) případě reakce musí uživatel okamžitě opustit znečištěný prostor, sejmut jednotku a vyhledat lékařskou pomoc.

5. PŘEHLED ZAŘÍZENÍ

Guardian Air je poháněný respirátor namontovaný na opasek s vyměnitelným, vysoce výkonným systémem částicového filtru na jedno použití. Toto zařízení je certifikované pro kukly popsané v oddílu 10, pro obvod hlavy 53,5 až 60 cm. Jednotka PAPR obsahuje vyměnitelný dobíjecí akumulátor, který vydrží 8 hodin (8 hodin v čistém prostředí – v dílně může být tato doba mnohem kratší v závislosti na množství částic v ovzduší).

Guardian Air uživatele upozorní zvukovým alarmem MMDF pro minimální proudění a blikající LED diodou, pokud průtok nedosáhne 170 l/min.

Jakmile při provozu zazní alarm, uživatel musí ihned opustit pracoviště a jít do místa určeného jako bezpečné. Jednotka PAPR je vybavena vizuálním alarmem pro nízký stupeň nabití baterie a zvukově vizuálním alarmem pro zablokovaný filtr. Podle závady pak uživatel vymění filtr za nový (ve velmi prašném prostředí je třeba měnit filtr často) a/nebo znovu dobije baterii, popřípadě ji vymění za plně dobítoou. Uživatel se smí vrátit na pracoviště pouze v případě, že filtračně ventilační jednotka pracuje s vypnutým alarmem a proudění vzduchu bylo vyzkoušeno a je přijatelné.

Filtr byl vyvinut speciálně pro tuto jednotku. Používá se k filtrování vzduchu, který bude dýchat uživatel. Je zásadní, aby uživatel filtr zkontroloval, zda nejeví jakékoli známky poškození nebo deformace, které by mohly potenciálně vpustit do zařízení znečištěný vzduch. V případě, že je poškozený nebo zanesený do té míry, že pošouší mechanismus alarmu, je třeba ho zlikvidovat.

Vyměnitelná dobíjecí baterie je lithium-iontový článek. Při dodávce může mít baterie slabý náboj; jednotku PAPR je třeba zcela vybit a poté ji před prvním použitím nabít po dobu šestnácti hodin.

6. VYBALENÍ/MONTÁŽ

6.1. Vybalení

Zkontrolujte, zda je balení kompletní a zda není poškozená žádná součást v důsledku dopravy nebo z jiných důvodů. Balení s kompletní filtračně ventilační jednotkou PAPR včetně příslušenství obsahuje:

- » Guardian Air včetně baterie, filtru P R SL a předfiltru
- » Opasek
- » Vzduchovou hadici
- » Indikátor proudění vzduchu
- » Nabíječku baterii
- » Uživatelskou příručku

6.2. Montáž

K opasku připojte ventilační jednotku: Vnitřní popruh protáhněte zezadu poutky ventilační jednotky. Poté ho protáhněte poutky opasku a přezkou. (Obr. 1 / str. 4)

Do ventilační jednotky vložte baterii. (Obr. 3 / str. 4)

6.2.1. Úprava opasku v pase

Opasek umístěte kolem pasu, s jednotkou PAPR vzadu. Utáhněte a zapněte oba konce.

Je-li opasek příliš volný, posuňte vnější regulační díl po opasku dolů, směrem k vnitřnímu. Pokud je opasek příliš těsný, posuňte vnější regulační díl směrem od vnitřního.

Opakujte, dokud vám opasek pohodlně a bezpečně nepadne. Jakmile je pas dobře upraven, zasuňte jeho přesahující část do poutek. (Obr. 5 / str. 4)

6.2.2. Částicový filtr

Používejte pouze filtry značky Böhler dodávané společností voestalpine Böhler Welding. Použití jakýchkoli jiných filtrů zneplatňuje veškerou záruku a/nebo vede k závažnému riziku pro zdraví uživatele pracujícího s produktem/produkty.

Nejprve se ujistěte u odborníka na BOZP nebo zavolejte na technické služby výrobce, zda budou filtry značky Böhler vhodné chránit před nebezpečím.

Zařízení Guardian Air je vybaveno vysoko účinnými částicovými filtry třídy P R SL.

Jakmile zazní zvukový alarm, je třeba zkontrolovat nebo vyměnit předfiltr. Ve velmi prašném prostředí to pravděpodobně budete muset provádět častěji.

Filtry je třeba pravidelně kontrolovat (viz 7.2. Testování proudění vzduchu) a vyměňovat. Filtry jsou určeny k výměně, nikoli k čištění / opakovanému používání.

Ujistěte se, že nové filtry nemají prošlé datum, nebyly použity a nejsou zřetelně poškozené.

Ze zdravotního hlediska je maximální provozní doba hlavního filtru 2 týdny nebo 90 hodin, podle toho, co je nastane dříve, a nelze ji překračovat.

VAROVÁNÍ!

Je zásadní, aby si uživatel nespletl označení na filtru vztahující se k jakýmkoli jiným normám, než je norma EN12941 1998 -A1:2003+A2:2008, s klasifikací zařízení používaného s tímto filtrem.

6.2.3. Odstranění a vložení nových filtrů

Otevřete kryt filtru vytáhnutím krytu z pravé strany dmychadla směrem ven. (Obr. 6 / str. 4)

POZOR! K otevření krytu filtru je přísně zakázáno používat jakékoli nářadí.

Chcete-li filtr vyjmout, vytáhněte jej z přístroje. Vyčistěte jednotku od prachu a zajistěte, aby se do přívodu vzduchu nedostal žádný prach.

Vložte nový filtr zpět na místo. (Obr. 7 / str. 4) Jemně jej zatlačte dovnitř, dokud dobře nedosedne na tělo jednotky.

Zavřete kryt filtru. Dávejte zvláštní pozor, kryt filtru po správném uzavření zapadne na místo. Nepokoušejte se používat jednotku ventilátoru bez správně nasazeného krytu.

6.2.4. Výměna předfiltru (Obr. 7 / str. 4)

Předfiltr je objímka, která se nasazuje na hlavní filtr. Pro demontáž/výměnu jednoduše stáhněte starý filtr a natáhněte nový na místo. Je důležité zajistit, aby filtrační médium hlavního filtru bylo zcela zakryto předfiltrem.

6.2.5. Připojení hadice k jednotce PAPR

Vyrovnejte piny bajonetového konektoru hadice k otvorům ve výstupu vzduchu jednotky PAPR. Zasuňte bajonetový konektor do ventilační jednotky, dokud nedosáhne dna otvoru, a poté jej otočte po směru hodinových ručiček, až se piny dostanou na své místo.

K připojení hadice ke kukle postupujte stejným způsobem.

6.2.6. Nasazování kukel Böhler Guardian Air

1. U svařovací kukel nastavte úhel sklonu a upravte svařovací filtr tak, aby byl dobře umístěn (viz uživatelská příručka kukly).
2. Kuklu zdvihněte do svislé polohy.
3. Nasadte na hlavu a upravte západkovým kolečkem hlavového kříže, tlakem a otáčením, dokud kukla dobře a těsně nepadne.
4. Stáhněte elastický chránič brady směrem dolů a zároveň zatáhněte kuklou dolů. Ujistěte se, zda vám chránič pod bradou pohodlně padne.
5. Svařovací kukla je nyní připravena k použití.

7. PŘED POUŽITÍM

7.1 Kontrola před použitím

Vždy před zahájením prací zkontrolujte následující:

- » Všechny díly jsou v dobrém stavu a nejsou viditelně poškozené (bez děr, roztržení atd.). Vyměňte všechny poškozené nebo opotřebené díly. Pozorně si prohlédněte vzduchovou hadici, těsnění a obličejový díl.
- » Vzduchová hadice je dobře připojena ke kukle i k jednotce PAPR.
- » Proudění vzduchu je dostatečné (viz 7.2. Testování proudění vzduchu).
- » Vzduch je rozváděn celou filtrační jednotkou PAPR z ventilační jednotky do kukly.
- » Před prvním použitím nabijte baterii a před každým dalším použitím zkontrolujte, zda je dostatečně nabitá (viz 7.3. Baterie).
- » **Zajistěte správné fungování alarmů (viz 8. Použití).**

7.2. Testování proudění vzduchu (Obr. 4 / str. 4)

1. Odpojte vzduchovou hadici z ventilační jednotky.
2. Zasadte indikátor proudění vzduchu do konektoru hadice, udržujte ji ve svislé poloze zhruba v poloze očí.
3. Zapněte jednotku napájení. Vzduch proudí dostatečně pouze tehdy, dosahuje-li kulčkový indikátor minimální úrovně proudění. Pokud indikátor klesne pod tuto minimální úroveň, je nutné nabít baterii nebo vyměnit filtr. V případě, že problém přetrvává, podívejte se na další návrhy řešení v kapitole 10.

7.3. Baterie

POZOR! Baterie jsou dodávány pouze částečně nabitě. Všechny baterie musí být před prvním použitím nabitě. Baterii lze nabít zvlášť, nebo na ventilační jednotce.



Je zcela nutné používat nabíječku baterií k nabíjení produktu/productů, která vám byla dodána s produktem/producty a je schválena výrobcem. Použití jakékoli jiné nabíječky zneplatňuje jakoukoli záruku a/nebo vede k závažnému riziku pro zdraví uživatele pracujícího s produktem/producty v důsledku požáru nebo výbuchu.

Nabíječku nelze používat k žádným jiným účelům, než k jakým byla vyrobena. Nenabíjejte baterii v potenciálně výbušném prostředí. Nabíječka baterií je určena pro vnitřní použití. Musí být chráněna před vlhkem. Nabíječka ovládá nabíjení automaticky. Po nabití baterie se nabíječka přepne do udržovacího dobíjecího režimu a udržuje baterii plně nabitou. Doba nabíjení je 4 až 6 hodin.

7.3.1. Nabíjení baterie



Zkontrolujte, zda je správné napětí zdroje elektrického napětí.

- Ověřte, zda je používán nabíječka baterií k nabíjení produktu/productů ta, která vám byla dodána s produktem/producty a je schválena výrobcem. Použití pouze dodané nabíječky je zásadní. Nedodržení tohoto pokynu může způsobit riziko vzniku požáru nebo výbuchu.**
- Nabíječku vložte do zásuvky. Buď přímo do ventilační jednotky, je-li baterie umístěna, nebo přímo do baterie.
- Připojte baterii k nabíječce. Zásuvka baterie se nachází na zadní straně.
- Štáv dobíjení zobrazuje červená LED dioda.
- Po dobítí se zapne udržovací dobíjecí režim: - červená LED dioda zhasne a při udržovacím režimu se rozsvítí zelená LED dioda.
- Nabíječku odpojte ze zdroje napájení.

Pokud se nabíječku nepoužíváte, nenechávejte ji zapojenou v síti!

7.3.2. Výměna baterie

Vyjmutí baterie:

Najděte západku baterie. Zatáhněte za západku a zároveň baterii vyjměte směrem nahoru.

Vkládání baterie:

Ujistěte se, že je baterie umístěna správně svisle (podle 6.2) a poté ji zasuňte do ventilační jednotky, dokud nezaklapne západka baterie. Je naprosto nutné, aby byla západka zcela zablokována. (Obr. 3 / str. 4)

8. POUŽITÍ

Vypněte ventilační jednotku stisknutím tlačítka ON/OFF na ovládacím panelu. Proud vzduchu lze upravit tlačítky + /- od 180 l/min do 220 l/min v šesti rychlostech. Zelená LED dioda ukazuje současný stupeň proudění. Vezměte v úvahu, že u každého stisknutí tlačítka je nutné je podržet po dobu 2 sekund, aby došlo k provedení úkonu. To zabraňuje náhodným změnám. (Obr. 2 / str. 4)

Guardian Air zajišťuje konstantní dodávku vzduchu. Mikroprocesor uvnitř jednotky automaticky reguluje rychlost motoru ke kompenzaci zanášení filtru a stavu baterie. Pokud mikroprocesor nemůže udržet nastavené proudění vzduchu, jednotka vydá „pípající“ alarm (je slyšet zvukový signál) a tehdy musí uživatel zkontrolovat jednotku PAPR. Je-li to možné, mikroprocesor automaticky sníží průtok vzduchu na nižší stupeň. Pokud selhává i při nižším stupni, alarm bude znít dál. Když proudění klesne pod minimální bezpečný provozní stupeň, k prvnímu alarmu se přidá druhý zvukový alarm. V té chvíli musí uživatel ihned přestat pracovat, opustit pracoviště, jít do místa označeného jako bezpečné a vyměnit filtr nebo dobít/vyměnit baterii.

Ke kontrole alarmů je nutné zablokovat výstup vzduchu dlaní nebo jiným vhodným prostředkem. Motor se zapnutou jednotkou PAPR se to bude snažit kompenzovat zvýšením rychlosti, dokud mikroprocesor nerozezná alarm, jak je popsáno výše.

Ke kontrole baterie: Při prvním spuštění jednotky budou LED diody baterie svítit na ovládacím panelu červeně a poté zhasnou; zůstane-li světlo svítit, znamená to, že baterie je málo nabitá a je třeba ji dobít. Doporučujeme používat při zahájení pracovní směny pouze plně nabitou baterie.

S plně nabitou baterií by jednotka měla fungovat normálně, pokud však zazní zvukový alarm, uživatel musí vyměnit filtr. V případě, že problém přetrvává, podívejte se na další návrhy řešení v kapitole 10.

9. ÚDRŽBA/ČIŠTĚNÍ

Ventilační jednotku, kryt filtru a kuklu je třeba pravidelně čistit a udržovat je v dobrém stavu.

Jednotky používané jednou osobou je možné čistit hadříkem navlhčeným ve vlažné vodě a mýdlu.

Jednotky, které si předává několik uživatelů, by tyto měly být dezinfikovány.

Do filtračně ventilační jednotky PAPR a na prvek filtru nesmí vniknout kapaliny.

Součásti zařízení by se měly sušit na vzduchu. Za žádných okolností nelze používat žádná rozpouštědla ani abrazivní čisticí prostředky. Jednotku nelze sušit horkým vzduchem ani vyzářovaným horkem.

Jednotka PAPR by podle navržených specifikací měla poskytovat ochranu po 2 až 3 roky, pokud se udržuje v souladu s těmito pokyny. Před každým použitím musí uživatel zařízení příslušně zkontrolovat pro případné vady, jako jsou praskliny, prasklé filtry a hadice, průzory nebo díly kukly.

10. HLEDÁNÍ ZÁVAD

V případě náhlé změny v proudění vzduchu za chodu zařízení je nutné zkontrolovat:

- » Zda jsou všechny části zařízení dodávajícího vzduch řádně sestaveny
- » Baterii a její konektor
- » Zda není baterie vadná či nepracuje správně
- » Filtry a jejich zanesení
- » Zda není ve vzduchové hadici otvor
- » Zda není poškozeno těsnění kukly
- » Zda se nezkrátila pracovní doba po plném dobití baterie (pokud ano, je nutné baterii vyměnit).

| ZÁVADA | PRAVDĚPODOBNÁ PŘÍČINA | DOPORUČENÍ |
|-------------------------------|---|---|
| Jednotka PAPR vůbec nefunguje | <ul style="list-style-type: none"> » Zcela vybitá baterie (ověřte, zda ventilační jednotka funguje s nabitou baterií) » Vadný motor, obvodová deska nebo konektor | <ul style="list-style-type: none"> » Nabijte baterii (pokud problém trvá, zkontrolujte ji). » Spojte se se svým dodavatelem. |
| Slabé proudění vzduchu | <ul style="list-style-type: none"> » Zablkovaná vzduchová hadice nebo vzduchový kanál » Únik vzduchu » Baterie není dostatečně nabitá » Zablkovaný filtr nebo předfiltr | <ul style="list-style-type: none"> » Ověřte a odstraňte zablkování. Zkontrolujte všechna těsnění, konektory a vzduchovou hadici. Zajistěte, aby vzduch nemohl unikat otvory nebo prasklinami. » Nabijte baterii (pokud problém trvá, zkontrolujte ji). » Vyměňte předfiltr. Pokud problém přetrvává, vyměňte hlavní filtr. |
| Krátká provozní doba | <ul style="list-style-type: none"> » Zanesený filtr » Baterie není řádně nabitá | <ul style="list-style-type: none"> » Vyměňte filtry. » Nabijte baterii (pokud problém trvá, zkontrolujte ji). |
| Baterii nelze nabít | <ul style="list-style-type: none"> » Je poškozen kontakt baterie » Je defektní nabíječka | <ul style="list-style-type: none"> » Zkontrolujte kontakt baterie. » Spojte se se svým dodavatelem. |
| Baterii nelze řádně nabít | <ul style="list-style-type: none"> » Baterie je opotřebovaná | <ul style="list-style-type: none"> » Instalujte novou baterii. |

11. SKLADOVÁNÍ A PŘEPRAVA

Když ventilační jednotku a hlavové jednotky nepoužíváte, uložte je do kontejneru, v němž byly dodány, nebo do jiné podobné přepravky, aby nebyly vystavovány přímému slunci, nedostaly se do styku s rozpouštědly a nemohly být poškozeny fyzickým kontaktem s tvrdými povrchy nebo předměty. Neskladujte mimo rozmezí teplot 0 °C až 40 °C nebo při relativní vlhkosti přesahující 75 %.

12. CERTIFIKOVANÉ KUKLY (str. 5)

- 13 - Guardian 50M Air - 86669
- 13 - Guardian 50FM Air - 86682
- 13 - Guardian 62 Air - 57007
- 13 - Guardian 62F Air - 57029
- 14 - Big Vision Air - 73314

13. SEZNAM ČÁSTÍ ZAŘÍZENÍ AVYOBRAZENÍ MONTÁŽE (str. 5)

- 1 - Guardian Air (celá filtračně ventilační souprava) - 86692
- 2 - motorová jednotka - 86668
- 3 - částicový filtr P R SL (4 ks) - 86645
- 4 - předfiltr (10 ks) - 86655
- 5 - chránič proti jiskrám - 86704
- 6 - kryt filtru - 86657
- 7 - standardní baterie (5,200 mAh) - 86660
- 7 - vysokokapacitní baterie (7,800 mAh) - 57075
- 8 - univerzální nabíječka - 57081
- 9 - pružná vzduchová hadice včetně ochrany - 57065
- 10 - komfortní opasek - 57144
- 11 - ramenní postroj - 57146
- 12 - testovač proudění vzduchu - 57184
- 15 - těsnící rouška do kukly - 57182
- 16 - taška Böhler (modrá) - 57186
- 16 - taška Böhler (černá) - 86702

14. TECHNICKÉ ÚDAJE

Guardian Air je lehká filtračně ventilační jednotka (PAPR), s níž se snadno manipuluje. Je vybavena vyměnitelným částicovým filtrem. Zařízení spolehlivě chrání před částicemi a aerosoly.

- » Proudění vzduchu: 180 až 220 l/min s minimálním průtokem 170 l/min k aktivaci alarmu
- » Hmotnost včetně filtru a baterie: 870 kg
- » Provozní teplota 0 až 40 °C
- » Typ filtru: P R SL
- » Typ baterie: Vyměnitelné, dobíjecí Li-Ion 7,4 V / 5,200 mAh
- » Nabíjecí cykly > 350 r
- » Vizuální alarm pro nízké napětí baterie
- » Vizuální a zvukové alarmy pro nedostatečný průtok vzduchu (pod 170 l/min)
- » Jmenovitý ochranný faktor (Nominal Protection Factor = NPF) 500
- » Hladina hluku: 65 dB
- » Více než 8 hodinová provozní doba u minimálního průtoku s novým filtrem a plně nabitou baterií v čistém prostředí (6 hod u maximálního průtoku). Při reálném použití mohou být provozní doby značně kratší, závisí to na množství kontaminantů v prostředí.
- » **Pozor! Provozní doba může být i při nabití baterií kratší v případě zaneseného filtru**

Certifikace EN 12941:1998+A1:2003+A2:2008

Certifikoval: APAVE SUDEUROPE SAS Informovaný orgán 0082
13322 MARSEILLE
CEDEX 16
Francie

Tento OOP splňuje následující platné normy EU:



EN 12941:1998+A1:2003+A2:2008
EN166B:2001
EN379:2003 +A1:2009 EN175B

Symbole:

Viz návod
k použití výrobce:



Skladujte při teplotě 0–40 °C
(stupňů Celsia):



Skladujte do:



Maximální doba skladování
Vlhkost < 75 %:



Symbole pro filtr:

R = filtr je opakovaně použitelný pro několik směn.

S = filtr chrání před pevnými částicemi.

L = filtr chrání před kapalnými částicemi.

15. ZÁRUKA

Na Guardian Air platí roční záruka od data nákupu na mechanické a elektrické defekty.

Na baterii Böhler platí roční záruka od data výroby.

Společnost voestalpine Böhler Welding zdarma opraví jakýkoli díl, který je v tomto období shledán vadným, popřípadě ho podle svého uvážení může vyměnit.

Tato záruka platí, pouze pokud:

Byla jednotka Guardian Air používána výhradně za účelem, k němuž je určena.

Nebyla použita nesprávně, nedošlo s ní k nehodě a nebyla upravována nebo opravována.

Poznámka: Pro reklamaci se spojte s obchodníkem, od něhož jste zařízení Guardian Air koupili.

Záruka nekrýje běžné opotřebení.

Záruka nemá vliv na vaše zákonná práva.

Guardian Air

BRUGERVEJLEDNING TIL PAPR-SYSTEMER

Godkendt til BS EN 12941 : 1998 - A1:2003+A2:2008 TH3 - ÅNDEDRÆTSVÆRN – MOTORDREVET LUFTFILTERENDE VÆRN MED, DER OMFATTER EN RÆKKE SVEJSEHJELME - KLASSE TH3 P R SL

OVERSÆTTELSE AF BRUGERVEJLEDNINGEN

Producenten forbeholder sig ret til til enhver tid og uden forudgående varsel at foretage de ændringer og tillæg til denne brugsanvisning, som måtte blive nødvendige på grund af trykfejl, unøjagtigheder eller produktforbedringer. Sådanne ændringer vil dog blive indarbejdet i efterfølgende udgaver af brugsanvisningen.

Vores seneste produktdokumenter samt alle kontaktoplysninger for **voestalpine Böhler Welding** kan findes på vores websted på følgende adresse: www.voestalpine.com/welding.

VIGTIGT!

Denne brugervejledning skal læses og forstås i sin helhed, før udstyret tages i brug. Brugervejledningen skal opbevares til senere brug.

OBLIGATORISK INFORMATION FOR BRUG AF ET MOTORDREVET LUFT-FILTRENDE ÅNDEDRÆTSVÆRN MED SVEJSEHJELME

Det er vigtigt at følge disse brugervejledninger nøje ved brug/betjening af et PAPR-system (motordrevet luftfiltrerende åndedrætsværn). Manglende overholdelse af disse vejledninger kan ophæve enhver garantibeskyttelse, der tilbydes, eller som du har adgang til i forbindelse med til produktet. Se betingelserne i din købekontrakt for produktet/produkterne for de specifikke detaljer i en sådan garantiækning.

Produktet er designet til at beskytte dit helbred og velbefindende. Manglende overholdelse af disse vejledninger kan desuden have en negativ indflydelse på dit helbred/velbefindende.

Læs disse vejledninger grundigt igennem, før du pakker produktet ud.

Der gives ingen anbefalinger med hensyn til produktets egnethed til dine behov. Hvis du har spørgsmål med hensyn til, om produktet er egnet til din opgave, bedes du kontakte en arbejds-hygjniker.

Kontaktadresser kan findes på side 2.

INDHOLD

1. Introduktion
2. Anvendelsesområde
3. Godkendelser
4. Forhåndsbetingelser for brug
5. Systemoversigt
6. Udpakning / Montering
7. Før brug
8. Anvendelse
9. Vedligeholdelse / Rengøring
10. Fejlfinding
11. Opbevaring og transport
12. Liste over certificerede hjelmsystemer
13. Styklister og samlingstegning
14. Tekniske data
15. Garanti

1. INTRODUKTION

Guardian Air er et åndedrætsværn, der er baseret på princippet om cirkuleret overtrykluft inde i hjelmen. Den bæltemonterede blæserenhed sender luft ind i hjelmen gennem et filter og en luftslange. Tilførslen af filteret luft skaber et positivt tryk indvendigt i hjelmen, hvilket forebygger indtrængen af udefrakommende forurenede luft i brugerens vejtrækningsområde.

2. ANVENDELSESMÅDE

PAPR-systemet er egnet til alle opgaver, hvortil der kræves certificering i henhold til standard EN 12941. Enheden er ikke egnet til svejsning i snævre rum. (Se 4. Forhåndsbetingelser for brug)

3. GODKENDELSE

Guardian Air er designet og fremstillet i overensstemmelse med EN12941: 1998 - A1:2003+A2:2008 som en TH3 P R SL enhed.

BS4275 (Vejledning til implementering af et effektivt program for åndedrætsværn), som brugeren anbefales at læse, definerer en enhed iht. EN12941 TH3 P R SL som havende en NPF-værdi (Nominal beskyttelsesfaktor) på 500.

PAPR-systemet kan kun levere dette beskyttelsesniveau, hvis det anvendes sammen med filtre fra fabrikanten, der er mærket "Böhler" og "EN12941:1998 TH3P R SL".

Svejseshjelme er godkendt i henhold til EN 175B

PAPR-systemerne fremstilles under kvalitetssystemet ISO 9001:2000.

4. FORHÅNDSBETINGELSER FOR BRUG

Guardian Air må udelukkende anvendes i henhold til denne brugervejledning og instruktionerne, der leveres sammen med den pågældende hjelm.

Brugeren skal læse og forstå alle de følgende "Brugsanvisninger" grundigt for at kunne bruge åndedrætsværnet korrekt. Eventuelle spørgsmål bedes rettet til fabrikanten via kontakterne anført på side 2.

Når PAPR-systemet er slukket, åndedrætsværnet kun fungerer i mindre grad eller slet ikke. Når PAPR-systemet er slukket, kan der forekomme en hurtig opbygning af kuldiioxid og iltsvind inde i hjelmen, hvorfor **det er yderst vigtigt ikke at bruge blæserenheden, når det er slukket.**

GUARDIAN AIR MÅ IKKE ANVENDES:

- » I en atmosfære, der er umiddelbart farlig for brugerens hygiejne eller helbred, og/eller indeholder mindre end 19,5% ilt eller indeholder ukendte stoffer.
- » I snævre rum eller uventilerede områder, såsom tanke, rør, kanaler, osv.
- » I nærheden af åbne flammer og/eller gnister.
- » I eksplosionsfarlige områder.
- » I stormområder.
- » Hvis blæserenheden af en eller anden grund holder op med at fungere, skal brugeren øjeblikkeligt forlade det forurenede område.

DET ER OGSÅ VIGTIGT:

- » At der ikke er noget, der rører ved de bevægelige dele.
- » At der ikke gøres forsøg på at modificere eller ændre PAPR-systemet eller filtret på nogen måde.
- » At der ikke trænger vand eller anden væske ind i enheden på nogen måde – det gælder især motor og ventilator, filter eller batteri.

At sørge for, at hjelmen passer fuldkomment til brugerens ansigt. Først da anses effektiviteten af systemet for at være acceptabel. Beskyttelsesfaktoren for hele systemet reduceres, hvis hjelmens tætning ikke er korrekt tilpasset, f.eks. hvis der kommer skæg eller langt hår ind i tætningskanten.

Der kan være risiko for, at slangen til hjelmen kan komme i klemme under brug. Derfor skal PAPR-systemet placeres på personen på en måde, der reducerer denne risiko.

Filtrene kan ikke monteres direkte på hjelmen og må ikke tilpasses til dette formål.

Det korrekte åndedrætsværn kan ikke opnås, hvis dele af udstyret har undergået ændringer af nogen art.

Ved meget høje arbejds hastigheder kan trykket i PAPR-systemet blive negativt ved maksimalt inhalationsflow. I tvivlstilfælde bør brugeren konsultere det lokale sundheds- og sikkerhedspersonale, og der skal foretages en fyldestgørende risikovurdering.

PAPR-systemet må kun bruges af kompetent, uddannet personale.

BEMÆRK!

Hvis nogen af disse betingelser ikke overholdes eller følges vil garantien automatisk være ugyldig.

BRUGEREN TILRÅDES AT FORLADE DET FORURENEDE OMRÅDE ØJEBLIKKELIGT, HVIS:

- » Advarselsalarmer for fabrikantens værdi for dimensioneret minimumsflow (MMDF) aktiveres
- » Der opstår vejtrækningsproblemer
- » Der opstår svimmelhed eller forstyrrelser
- » Der opstår skader på hvilken som helst del af systemet
- » Luftflowet, der går ind i hjelmen, falder eller standser
- » Der opstår lugt eller smag af forurenende stoffer inde i hjelmen
- » Materialer, der kan komme i kontakt med brugerens hud, fremkaldt almindeligvis ikke allergiske reaktioner, men hvis der alligevel opstår en reaktion, skal brugeren straks forlade det forurenede område, fjerne enheden og søge læge.

5. SYSTEMOVERSICHT

Guardian Air er et bæltemonteret åndedrætsværn med et udskifteligt, højeffektivt engangs-partikelfiltersystem. Systemet er godkendt sammen med hjelmen, der er omfattet af sektion 10, og de dækker hovedstørrelser i omkreds fra 535 til 600 mm. PAPR-systemet indeholder en aftagelig 8-timers genopladeligt batterienhed. (8 timer i et rent miljø – i et værksted kan tiden blive betydeligt reduceret afhængigt af partikelniveauet i atmosfæren)

Når MMDF på 170 l/min ikke opnås, vil Guardian Air advare brugeren ved hjælp af en akustisk alarm og blinkende lysdiode. Hvis alarmer lyder, mens maskinen er i drift, skal brugeren straks forlade arbejdsområdet og gå til et erklæret sikkert område. PAPR-systemet har en visuel alarm for lavt batteri og en kombineret alarm – akustisk og visuel for blokeret filter. Afhængigt af fejlen, skal brugeren udskifte filtret med et nyt (i meget støvede miljøer bør filtret udskiftes ofte) og/eller genoplade eller skifte batteriet ud med et, der er fuldt opladet. Brugeren bør først vende tilbage til arbejdsstedet, når PAPR-systemet fungerer med slukket alarm, og flowhastigheden er afprøvet og fundet acceptabel.

Filtret er udviklet specielt til denne enhed. Det bruges til at filtrere luften, som brugeren indånder. Det er vigtigt, at brugeren kontrollerer filtret for tegn på skader eller deformationer, der kan føre til, at der kommer forurenede luft ind i systemet. Filtret skal fjernes, hvis det er beskadiget, eller hvis det er tilstoppet og aktiverer systemets alarmmekanisme.

Det aftagelige og genopladelige batteri er et lithium-ion batteri. Ved levering kan batteriet muligvis være lidt opladet. PAPR-systemet bør køres fladt og derefter oplades i 16 timer før første brug.

6. UDPAKNING / MONTERING

6.1. Udpakning

Kontroller, at emballagen er hel, og at ingen af delene er beskadiget som følge af transport eller andre årsager. Emballagen med et komplet PAPR-system, inklusive tilbehør, indeholder:

- » Guardian Air inkl. batteri og P R SL filter og forfilter
- » Bælte
- » Luftslange
- » Luftflowmåler
- » Batterioplader
- » Brugervejledning

6.2. Montering

Sæt blæserenheden på fast på bæltet: Før den indvendige strop gennem bagsiden af åbningerne på blæseren. Før den igennem bælteåbningerne og derefter igennem spændet. (Fig. 1 / s. 4)

Sæt batteriet i blæserenheden. (Fig. 3 / s. 4)

6.2.1. Tilpasning af bæltet:

Sæt bæltet på taljen med PAPR-systemet vendende bagud og sæt de to ender sammen.

Hvis bæltet er for løst, glides hankoblingen ned ad bæltet mod hundelen. Hvis bæltet er for løst, køres hankoblingen væk fra hundelen.

Gentag ovennævnte proces, indtil der opnås en komfortabel og sikker tilpasning. Efter korrekt tilpasning af bæltet sikres eventuel overskydende bælte i bælteåbningerne. (Fig. 5 / s. 4)

6.2.2. Partikelfilter

Brug kun filtre af mærket Böhler leveret af voestalpine Böhler Welding. Brug af andre filtre annullerer garantien og/eller medfører alvorlig risiko for helbredet af den bruger, der betjener produktet.

Det anbefales at konsultere en arbejdshygiejniker eller ringe til fabrikantens tekniske assistance på forhånd for at sikre sig, om filterne af mærket Böhler vil yde en passende beskyttelse mod den pågældende fare.

Guardian Air er udstyret med et højeffektivt partikelfilter af klasse P R SL.

Forfiltret skal udskiftes eller tjekkes, så snart den akustiske alarm lyder. I meget støvede miljøer kan det være nødvendigt at gøre dette ofte.

Filtrene skal tjekkes regelmæssigt (se 7.2. Luftflowtest) og udskiftes. Filtrene er beregnet til at skulle udskiftes og må ikke renses/genbruges.

Sørg for, at udløbsdatoen på de nye filtre ikke er overskredet, at filtrene er ubrugte og uden synlige skader.

Fra et hygiejniske synspunkt er den maksimale driftstid for et hovedfilter på 2 uger eller 90 timer, alt efter hvad der kommer først, og bør ikke overskrides.

ADVARSEL!

Det er vigtigt, at brugeren ikke forveksler mærkningerne på filteret, der vedrører andre standarder end EN12941 1998 -A1:2003+A2:2008, med enhedens klassificering, når enheden bruges med dette filter.

6.2.3. Afmontering af filtrene og påsætning af nye

Åbn filterdækslet ved at trække dækslet udad fra højre side af blæseren. (Fig. 6 / s. 4)

OPMÆRKSOMHED! Det er strengt forbudt at bruge værktøj til at åbne filterdækslet.

For at fjerne filteret skal du trække det ud af enheden. Rengør enheden for støv og sørg for, at der ikke kommer støv ind i luftindtaget.

Sæt det nye filter på plads igen. (Fig. 7 / s. 4) Skub det forsigtigt ind, indtil det sidder godt fast på enhedens hus.

Luk filterdækslet. Vær særlig opmærksom, filterdækslet klikker på plads, når det er lukket korrekt. Forsøg ikke at bruge blæserenheden uden at dækslet er korrekt monteret.

6.2.4. Udskiftning af forfilter (Fig. 7 / s. 4)

Forfilteret er et hylster, som er monteret over hovedfilteret. For at fjerne/udskifte skal du blot trække det gamle filter af og strække det nye filter på plads. Det er vigtigt at sikre, at filtermediet i hovedfilteret er helt dækket af forfilteret.

6.2.5. Tilkobling af slangen til PAPR-systemet

Stifterne i bajonetforbindelsen skal passe ind i hullerne i luftudløbet på PAPR-systemet. Skub bajonetforbindelsen ind i blæseren, indtil den når bunden af huller og drej den derefter i urets retning, indtil passtifterne klemmes på plads.

Slangen sættes til hjelmen på samme måde.

6.2.6. Påtagning af Böhler Guardian Air-hjelme:

1. Indstil hjelmens hældning og tilpas svejsfiltreret dertil (Se brugervejledningen for hjelmen)
2. Løft hjelmen til dens øverste stilling.
3. Placer den over hovedet og tilpas hovedtøjets spærrehjul ved at skubbe det ind og dreje det, indtil den sidder fast på passende vis.
4. Træk den elastiske hagebeskytter nedad og træk samtidig hjelmen ned. Sørg for, at den elastiske hagebeskytter sidder behageligt under hagen.
5. Svejselhjelmen er nu klar til brug.

7. FØR BRUG

7.1 Inspektion før brug:

Hver før brug skal man kontrollere, at:

- » Alle komponenter er i god stand uden synlige skader (som huller, rifter, osv.) Beskadigede eller slidte dele udskiftes. Luftslange, tætninger og ansigtsmaske kontrolleres omhyggeligt.
- » Der er en god forbindelse mellem luftslangen og hjelmen samt PAPR-systemet.
- » Der er tilstrækkeligt luftflow. (se 7.2. Luftflowtest)
- » Luften sendes gennem hele PAPR-systemet fra blæseren til hjelmen.
- » Batteriet skal oplades før første brug, og det kontrolleres, at batteriet er tilstrækkeligt opladt før hver efterfølgende brug. (se 7.3. Batterier)
- » **Vær sikker på, at alarmerne fungerer korrekt (se 8. Anvendelse)**

7.2. Luftflowtest (Fig. 4 / s. 4)

1. Frakobl luftslangen fra blæserenheden.
2. Sæt luftflowmåleren ind i luftslangeforbindelsen og hold slangen i lodret stilling omkring øjenhøjde.
3. Tænd for strømkilden. Luftflowet er kun tilstrækkeligt, hvis kuglenindikatoren når det minimale flowhastighedsniveau. Hvis indikatoren falder under det minimale flowhastighedsniveau, er det nødvendigt at oplade batteriet eller udskifte filteret. Hvis problemet varer ved, henvises til kapitel 10 for yderligere råd.

7.3. Batterier

BEMÆRK! De leverede batterier er kun delvist opladet. Alle batterier skal oplades før første brug. Batteriet kan oplades separat eller på blæserenheden.



Det er vigtigt, at batteriopladeren, der anvendes til opladning af produktet er den, som fulgte med ved leveringen og er godkendt af fabrikanten. Brug af en anden type batterioplader annullerer enhver garanti og/eller medfører alvorlig risiko for helbredet af den bruger, der betjener produktet, i form af brand- og eksplosionsfare.

Opladeren må ikke anvendes til andre formål end det, den er fremstillet til. Batteriet må ikke oplades i en potentielt eksplosiv atmosfære. Batteriopladeren er beregnet til indendørs brug. Den skal beskyttes mod fugt. Opladeren styrer opladningen automatisk. Efter opladning, skifter opladeren til vedligeholdelsesladning og holder batteriet fuldt opladet. Opladningstiden er 4 til 6 timer.

7.3.1. Opladning af batteriet



Kontroller, at spændingen i strømforsyningen er korrekt.

1. **Kontroller, at batteriopladeren, der anvendes til opladning af produktet er den, som fulgte med ved leveringen og er godkendt af fabrikanten. Det er vigtigt kun at anvende den medfølgende oplader. Manglende overholdelse af dette punkt kan medføre alvorlig brand- eller eksplosionsfare.**
2. Tilslut opladeren til stikkontakten. Enten direkte på blæseren, når batteriet er monteret, eller direkte ind i batteriet.
3. Tilslut batteriet til opladeren. Tilslutningsmuffen er placeret på batteriets bagside.
4. Opladningstilstanden angives med en rød lysdiode.
5. Når opladningen er afsluttet, aktiveres funktionen for vedligeholdelsesladning. – den røde lysdiode slukkes, og den grønne lysdiode tændes, når vedligeholdelsesladningen aktiveres.
6. Frakobl opladeren fra strømforsyningen.

Lad ikke batteriopladeren sidde i strømforsyningen, hvis ikke den er i brug!

7.3.2. Udskiftning af batteriet

Fjernelse af batteriet:

Find batteriets låsemekanisme. Når låsemekanismen trækkes bagud, kan batteriet samtidig tages ud ved at løfte det opad.

Isætning af batteriet:

Sørg for, at batteriet vender den rigtige side opad (som vist i 6.2). Skub det ned i blæserenheden, indtil låsemekanismen falder i hak. Det er vigtigt, at låsemekanismen er fuldstændig blokeret. (Fig. 3 / s. 4)

8. ANVENDELSE

Tænd for blæserenheden ved at trykke på ON-/OFF-knappen på kontrolpanelet. Luftflowet kan justeres i 6 hastigheder ved at trykke på knapperne +/-, fra 180 l/min op til 220 l/min. Den grønne lysdiode viser det aktuelle luftflow. Bemærk, at hver gang der trykkes på knapperne, skal knappen holdes nede i 2 sekunder for at handlingen aktiveres. Dette er for at undgå utilsigtede ændringer. (Fig. 2 / s. 4)

Guardian Air sikrer en konstant luftforsyning. Mikroprocessoren inde i enheden regulerer automatisk motorhastigheden for at kompensere for filtertilstopning og tilstanden af batteriet. Hvis mikroprocessoren ikke kan opretholde det indstillede luftflow, vil enheden udsende en bippe lyd (en akustisk alarm). Brugeren skal tjekke PAPR-systemet på dette tidspunkt. Hvis det er muligt, vil mikroprocessoren automatisk reducere luftflowet til det efterfølgende lavere niveau. Men alarmen vil stadig lyde, hvis dette niveau ikke opnås. Hvis luftflowet falder under minimumsniveauet for sikker drift, vil der lyde en ny akustisk alarm sammen med den første. På dette tidspunkt skal brugeren straks stoppe med at arbejde, forlade arbejdsstedet og gå til et erklæret sikkert område for at skifte filter eller oplade/udskifte batteriet.

For at kontrollere alarmerne, blokeres luftudløbet med håndfladen eller på anden måde. Når PAPR-systemet er tændt, vil motoren derefter prøve at kompensere ved at øge hastigheden, indtil mikroprocessoren aktiverer den akustiske alarm, som beskrevet ovenfor.

Kontrol af batteriet: Når enheden startes første gang, vil de røde lysdioder kontrolpanelet blinke og derefter slukkes. Hvis lyset forbliver tændt, er det tegn på lavt batteriniveau, og det skal oplades. Det anbefales, at der udelukkende bruges et fuldt opladet batteri ved starten af et arbejds skift.

Når batteriet er fuldt opladet, skal enheden fungere normalt. Hvis den akustiske alarm fortsat lyder, skal filtret udskiftes. Hvis problemet varer ved, henvises til kapitel 10 for yderligere råd.

9. VEDLIGEHOLDELSE / RENGØRING

Blæserenheden, filterhuset og hjelmen skal rengøres regelmæssigt for at sikre korrekt drift.

Hvis det drejer sig om enkeltbrugere, kan alt udstyret gøres rent med en klud, der er fugtet med lukket vand og sæbe.

Hvis der er flere brugere, skal enhederne desinficeres, når de går fra en bruger til en anden.

Der må ikke komme væsker ind i PAPR-systemets mekanisme eller på filterelementet.

Delene skal lufttørre. Der må under ingen omstændigheder anvendes opløsningsmidler eller slibende rengøringsmidler.

Enheden må ikke tørres med varm luft eller strålevarme.

PAPR-systemet vil være i stand til at yde beskyttelse i henhold til specifikationerne i 2 til 3 år, hvis det vedligeholdes i overensstemmelse med disse instruktioner. Før hver brug skal brugeren kontrollere, at der ikke er defekter i PAPR-systemet, såsom brud, skader på filtre og slanger, revner i visir- og hjelmkomponenter.

10. FEJLFINDING

Hvis der sker en pludselig ændring i luftforsyningen, mens systemet er i brug, skal følgende kontrolleres:

- » At alle dele af lufttilførselssystemet er monteret korrekt.
- » Batteriet og dets konektor
- » At batteriet ikke er defekt eller fejlbehæftet
- » Filtrene og tilstopning af filtrene
- » At der ikke er hul i luftslangen
- » At tætningen på hjelmen ikke er beskadiget
- » At funktionstiden efter fuld batteriopladning ikke er faldet (i så fald skal batteriet udskiftes).

| FEJL | MULIG ÅRSAG | ANBEFALING |
|---|--|--|
| PAPR-systemet fungerer overhovedet ikke | <ul style="list-style-type: none"> » Batteriet er helt afladet (tjek, om blæserenheden fungerer med et andet opladet batteri) » Defekt motor, printplade eller konektor | <ul style="list-style-type: none"> » Oplad batteriet (hvis problemet varer ved, skal batteriet tjekkes) » Kontakt din leverandør. |
| Lavt luftflow | <ul style="list-style-type: none"> » Blokeret luftslange eller luftledning » Lækage » Batteriet er ikke opladet tilstrækkeligt » Blokeret filter eller forfilter | <ul style="list-style-type: none"> » Kontroller og fjern blokering. Kontroller alle tætninger, konnektorer og luftslangen Sørg for, at luften ikke kan trænge ud gennem huller eller rifter » Oplad batteriet (hvis problemet varer ved, skal batteriet tjekkes) » Skift forfilter. Hvis problemet varer ved, udskiftes hovedfiltret. |
| Kort driftstid | <ul style="list-style-type: none"> » Tilstoppet filter » Batteriet er ikke opladet korrekt | <ul style="list-style-type: none"> » Skift filtrene » Oplad batteriet. (Hvis problemet varer ved, skal batteriet tjekkes) |
| Batteriet kan ikke oplades | <ul style="list-style-type: none"> » Batterikontakt er beskadiget » Opladeren er defekt | <ul style="list-style-type: none"> » Kontroller batterikontakten. » Kontakt din leverandør |
| Batteriet kan ikke oplades tilstrækkeligt | <ul style="list-style-type: none"> » Batteriet er slidt | <ul style="list-style-type: none"> » Installer et nyt batteri. |

11. OPBEVARING OG TRANSPORT

Når blæser eller hovedtøj ikke er i brug eller skal transporteres, er det vigtigt, at de opbevares i den kasse, de blev leveret i eller i en tilsvarende indpakning, således at de ikke udsættes for direkte sollys, ikke er i kontakt med opløsningsmidler og ej heller bliver beskadiget ved fysisk kontakt med hårde overflader eller dele. Bør ikke opbevares ved temperaturer under +0 °C eller over +40 °C eller ved fugtighed over 75 % RF.

12. CERTIFICEREDE HJELMSYSTEMER (p. 5)

- 13 - Guardian 50M Air - 86669
- 13 - Guardian 50FM Air - 86682
- 13 - Guardian 62 Air - 57007
- 13 - Guardian 62F Air - 57029
- 14 - Big Vision Air - 73314

13. LISTE OVER DELE OG SAMLINGSTEGNING (p. 5)

- 1 - Guardian Air (komplet blæserenhed) - 86692
- 2 - motorenhed - 86668
- 3 - partikelfilter P R SL (4 stk.) - 86645
- 4 - forfilter (10 stk.) - 86655
- 5 - gnistbeskyttelse - 86704
- 6 - filterdæksel - 86657
- 7 - standardbatteri (5.200mAh) - 86660
- 7 - kraftigt batteri (7.800mAh) - 57075
- 8 - universaloplader - 57081
- 9 - fleksibel luftslange inkl. beskyttelsesanordning - 57065
- 10 - komfortbælte - 57144
- 11 - skulderrem - 57146
- 12 - luftflow-tester - 57184
- 15 - ansigtstætning på hjelm - 57182
- 16 - Böhler taske (blå) - 57186
- 16 - Böhler taske (sort) - 86702

14. TEKNISKE DATA

Guardian Air er et letvægts PAPR-system, der er nemt at betjene. Det er udstyret med et udskifteligt partikelfilter. Systemet giver en pålidelig beskyttelse mod partikler og aerosoler.

- » Luftflow: 180 til 220 l/min med et minimumsflow på 170 l/min for aktivering af alarm.
- » Vægt med filter og batteri: 870 gram
- » Driftstemperatur mellem 0 °C og +40 °C
- » Filtertpe: P R SL
- » Batteritype: Udskifteligt og opladeligt Li-Ion 7,4 V / 5.200 mAh
- » Opladningscyklusser >350 r
- » Visuel alarm for lav batterispænding
- » Visuelle og akustiske alarmer for utilstrækkeligt flow (under 170 l/min)
- » Nominal beskyttelsesfaktor (Nominal Protection Factor = NPF) 500
- » Støjniveau: 65 dB
- » Driftstid over 8 timer ved minimumsflow med nyt filter og fuldt opladet batteri i rent miljø. (6 timer ved maksimumsflow). I reel brug kan driftstiden blive kraftigt reduceret afhængigt af niveauet af forurenende stoffer i omgivelserne.
- » **Bemærk! Driftstiden kan blive forkortet, hvis filteret er tilstoppet under opladning af batteriet**

Godkendelse EN 12941:1998+A1:2003+A2:2008

Godkendt af: APAVE SUDEUROPE SAS Anmeldt organ 0082
13322 MARSEILLE
CEDEX 16
Frankrig

Dette personlige værnemiddel opfylder følgende EU-standarder:



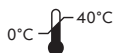
EN 12941:1998+A1:2003+A2:2008
EN166B:2001
EN379:2003 +A1:2009 EN175B

Symboler:

Se fabrikantens
brugsvejledning:



Opbevares mellem 0-40 °C
(Grader Celsius):



Holdbar indtil:



Maksimal holdbarhed
Fugtighed <75 %:



Filtersymboler:

R = betyder, at filtret kan genbruges i mere end et skift

S = betyder, at filtret beskytter imod faste partikler.

L = betyder, at filtret beskytter imod flydende partikler.

15. GARANTI

Guardian Air er garanteret mod mekaniske eller elektriske fejl for en periode på 12 måneder efter købsdatoen- Böhler-batteriet er garanteret for en periode på 12 måneder fra fremstillingsdatoen.

voestalpine Böhler Welding forpligter sig til uden beregning at udskifte eller reparere alle dele, der anses for at være defekte, inden for denne periode. Alternativt og efter eget skøn kan voestalpine Böhler Welding vælge at erstatte delen.

Denne garanti er betinget af:

At Guardian Air kun er blevet anvendt til det formål, hvortil den er beregnet.

At Guardian Air ikke har været udsat for misbrug, ulykker, ændringer eller reparationer.

N.B. I tilfælde af klage, skal du kontakte forhandleren, hvor du har købt Guardian Air.

Denne garanti dækker ikke almindeligt slid.

Denne garanti påvirker ikke dine juridiske rettigheder.

Guardian Air

PAPR RENDSZEREK HASZNÁLATI UTASÍTÁSA

Jóváhagyva a következőkhöz: BS EN 12941 : 1998 - A1:2003+A2:2008 TH3
LÉGZÉSVÉDELMI RENDSZER - MOTOROS SZŰRŐBERENDEZÉS, SZÁMOS HEGESZTŐPAJZSAL HASZNÁLHATÓ
TH3 P R SL OSZTÁLY

A FELHASZNÁLÓI UTASÍTÁS FORDÍTÁSA

A gyártó fenntartja a jogot, hogy bármikor, előzetes értesítés nélkül módosítsa és kiegészítse a jelen használati utasítást, amennyiben az nyomdahibák, pontatlanságok vagy termékfejlesztések miatt szükséges. Az ilyen változtatásokat azonban a használati utasítás későbbi kiadásába beépítik.

A voestalpine Böhler Welding legújabb termékdokumentumai, valamint a **voestalpine Böhler Welding** összes elérhetősége megtalálható a weboldalunkon a következő címen: www.voestalpine.com/welding.

FONTOS!

A berendezés használata előtt el kell olvasni ezt a használati utasítást és meg kell érteni a benne foglaltakat. A használati utasítást későbbi áttekintés érdekében meg kell őrizni.

KÖTELEZŐ INFORMÁCIÓK A MOTOROS HAJTÁSÚ LÉGZÉSVÉDŐ RENDSZER HEGESZTŐPAJZSOKKAL TÖRTÉNŐ HASZNÁLATÁHOZ.

A PAPR (motoros hajtású légzésvédő) rendszer használatakor / üzemeltetésekor feltétlenül be kell tartani ezeket a felhasználói utasításokat. Ezen utasítások be nem tartása érvénytelenítheti a felkínált, vagy a termékhez járó garanciát. Kérjük, az ilyen jótállás részleteivel kapcsolatban olvassa el a termék(ek) re vonatkozó vásárlási szerződés feltételeit.

A termék(ek) célja az Ön egészségének és jólétének védelme. A használati utasítások be nem tartása károsan befolyásolhatja egészségét / jólétét.

Kérjük, figyelmesen olvassa el ezeket az utasításokat a terméke(i) kicsomagolása előtt.

Nincs javaslat arra vonatkozóan, hogy ez a termék megfeleljen az Ön igényeinek. Ha bármilyen kérdése merül fel a terméknek az Ön munkájához való alkalmasságával kapcsolatban, kérjük, vegye fel a kapcsolatot egy foglalkozás-egészségügyi szakemberrel.

Az elérhetőségre vonatkozó információk a 2. oldalon találhatóak.

TARTALOMJEGYZÉK

1. Bevezetés
2. Alkalmazási terület
3. Jóváhagyások
4. Használati feltételek
5. A rendszer áttekintése
6. Kicsomagolás / összeszerelés
7. Használat előtt
8. Használat
9. Karbantartás / tisztítás
10. Hibakeresés
11. Tárolás és szállítás
12. A jóváhagyott pajzszrendszerek listája
13. Alkatrészlista és összeállítási rajz
14. Műszaki adatok
15. Garancia

1 BEVEZETÉS

A Guardian Air egy olyan légzésvédő rendszer, amely a túlnyomásos levegő pajzszban való keringetése elvén működik. Az övre szerelt légfúvó egység levegőt szállít a szűrőn és egy levegőtömlőn keresztül a pajzszba. A szűrő levegő befűvése pozitív nyomást hoz létre a pajzszban belül, ami megakadályozza a kívül lévő szennyezett levegő bejutását a felhasználó légzési zónájába.

2 ALKALMAZÁSI TERÜLET

A PAPR rendszer minden olyan alkalmazásnál használható, ahol az EN12941 tanúsítvány elfogadható. Az egység nem alkalmas zárt térben történő hegesztéshez. (Lásd 4. Használati feltételek)

3 JÓVÁHAGYÁSOK

A Guardian Air készüléket úgy tervezték és készítették, hogy megfeleljen az EN12941:1998 - A1:2003+A2:2008 szabványnak egy TH3 P R SL eszközként.

A BS4275 (Útmutató a hatékony légzésvédő program megvalósításához) szabvány, amelyet a felhasználónak tanácsos elolvasni, egy olyan EN12941 TH3 P R SL készüléket határoz meg, amely 500-es védelmi faktorral rendelkezik.

A PAPR rendszer csak akkor képes ezt a védelmet biztosítani, ha a „Böhler” és „EN12941:1998 TH3 P R SL” jelzéssel ellátott, gyártó által biztosított szűrőket használja.

A hegesztőpajzszok EN 175B tanúsítvánnyal rendelkeznek.

A PAPR rendszerek gyártása az ISO 9001:2000 minőségbiztosítási rendszer szerint történik.

4 HASZNÁLATI FELTÉTELEK

A Guardian Air készüléket kifejezetten a jelen használati utasításnak és a megfelelő pajzshoz mellékelt utasításoknak megfelelően kell használni.

A felhasználónak ahhoz, hogy megfelelően tudja használni a légzésvédő rendszert, el kell olvasnia és meg kell értenie a következő „Használati utasításokat”. Minden felmerülő kérdés esetén fel kell venni a kapcsolatot a gyártóval a 2. oldalon található elérhetőségeken keresztül.

Amikor a PAPR rendszer ki van kapcsolva, csak kismértékű, vagy semmilyen légzésvédelmet sem biztosít. Amikor a PAPR rendszer ki van kapcsolva, akkor a pajzsban gyorsan felhalmozódhat a széndioxid, és elfogyhat az oxigén, ezért **nagyon fontos, hogy ne használja a légbefúvó egységet, ha az ki van kapcsolva.**

A GUARDIAN AIR KÉSZÜLÉKET TILOS HASZNÁLNI:

- » Olyan környezetben, amely közvetlenül veszélyezteti a felhasználói higiénit vagy az egészséget, és/vagy amelyek oxigéntartalma kevesebb, mint 19,5%, vagy ismeretlen anyagokat tartalmaz.
- » Zárt tereken, vagy szellőzés nélküli helyeken, mint például tártályokban, csövekben, csatornáknak stb.
- » Lángok és/vagy szikrák közelében
- » Robbanásveszélyes területeken.
- » Olyan területeken, ahol erős szél tapasztalható.
- » Ha a légfúvó egység működése bármilyen okból leáll, a felhasználónak haladéktalanul el kell hagynia a szennyezett területet.

NAGYON FONTOS TOVÁBBÁ, HOGY:

- » Semmi sem érhet a mozgó alkatrészekhez.
- » Semmilyen módon se próbálja meg módosítani vagy megváltoztatni a PAPR rendszert vagy a szűrőt.
- » Nem kerülhet víz vagy egyéb folyadék az egységbe - különösen a motorba és a ventilátorba, a szűrőbe vagy az akkumulátorhoz.

Ügyeljen arra, hogy a pajzs tökéletesen illeszkedjen a felhasználó arcához. Csak ekkor megfelelő a rendszer hatékonysága. A teljes rendszer védelmi faktora csökken, ha a pajzs tömítése nem megfelelően illeszkedik, például ha szakáll vagy hosszú haj kerül a tömítés alá.

Előfordulhat, hogy a pajzsbba vezető tömlő használat közben beakad. A PAPR rendszert úgy kell a személynek felvennie, hogy csökkentsen ennek a lehetőségét.

A szűrőket nem lehet közvetlenül a pajzsról szerelni, és nem szabad ilyenre átalakítani.

A légzésvédelem nem lesz megfelelő, ha a berendezés bármely részét bármilyen módon módosítják.

Nagyon nagy munkaritmus esetén a PAPR rendszerben a nyomás negatívum válhat a csúcs belélegzési áramlásnál. Bármilyen kétség esetén a felhasználónak egyeztetnie kell a helyi egészségvédelmi és biztonsági személyel, illetve el kell végeznie a megfelelő kockázatelemzést.

A PAPR rendszereket csak hozzáértő, képzett személyzet használhatja.

FIGYELEM!

Ha ezen feltételek bármelyikét nem tartják be, az automatikusan érvényteleníti a garanciát.

AZT JAVASOLJUK, HOGY A FELHASZNÁLÓ HALADÉKTALANUL HAGYJA EL A SZENNYEZETT TERÜLETET, HA:

- » A gyártó által meghatározott minimális áramlás (MMDF) riasztás hallatszík
- » A légzés nehézkessé válik
- » Szédülés vagy kimerültség jelentkezik
- » A rendszer bármely része megsérül
- » A pajzsbba való levegőáramlás lecsökken vagy megszűnik
- » A pajzson belül szennyezőanyag szaga, vagy annak íze érezhető
- » Nem ismert, hogy azok az anyagoknak, amelyek érintkezésbe kerülhetnek a felhasználó bőrével, allergiás reakciókat okozhatnak az egyéneknél többségénél, de abban a valószínűtlen esetben, ha ilyen reakció következik be, a felhasználónak azonnal el kell hagynia a szennyezett területet, le kell vennie az egységet és orvoshoz kell fordulnia.

5 A RENDSZER ÁTTEKINTÉSE

A Guardian Air egy övre szerelt légzőkészülék cserélhető, eldobható, nagy hatékonyságú részecskeszűrő rendszerrel. A rendszer a 10. fejezetben ismertetett pajzshoz való tanúsítvánnyal rendelkezik, amelyek 535-600 mm fejkerületre vannak méretezve.

A PAPR rendszer egy eltávolítható, 8 óra kapacitású újratölthető akkumulátorcsomagot tartalmaz. (8 óra egy tiszta környezetben - műhelyben ez az idő jelentősen csökkenhet a levegő részecsketartalmától függően)

A Guardian Air hangjelzéssel és villogó LED-ekkel figyelmezteti a felhasználót, ha a 170 l/perc MMDF nem elérhető.

Működés közben, ha a riasztó hangjelzés hallható, a felhasználónak haladéktalanul el kell hagynia a munkaterületet, és egy tisztának tekintett helyre kell mennie. A PAPR rendszer vizuálisan jelzi az alacsony akkumulátor töltöttséget, és összetett riasztással - hang- és vizuális jelzéssel figyelmeztet az eltömődött szűrőre. A hibától függően a felhasználónak egy újra kell cserélnie a szűrőt (nagyon poros környezetben a szűrőt gyakran kell cserélni), és/vagy újra kell töltenie vagy egy teljesen feltöltöttre kell cserélnie az akkumulátort. A felhasználó csak akkor térhet vissza a munkahelyre, ha a PAPR rendszer úgy működik, hogy a riasztás nem jelentkezik, és a teszt az áramlási sebességet elfogadhatónak mutatja.

A szűrőt kifejezetten ehhez az egységhez tervezték. Arra szabatos, hogy a felhasználó által belélegzett levegőt megsűrje. Fontos, hogy a felhasználó ellenőrizze a szűrőt minden olyan sérülés vagy deformáció szempontjából, amely potenciálisan szennyezett levegőt engedhet a rendszerbe. A szűrőt le kell sejtetni és ártalmatlanítani kell, ha megsérült, vagy annyira eltömődött, hogy az aktiválja a rendszer riasztási mechanizmusát.

Az eltávolítható és újratölthető akkumulátor egy lítium-ion akkumulátor. Előfordulhat, hogy szállításkor az akkumulátor kismértékben fel van töltve, ilyenkor a PAPR rendszert teljesen le kell meríteni, majd tizenhat órán át tölteni kell az első használatbavétel előtt.

6 KICSOMAGOLÁS / ÖSSZESZERELÉS

6.1. Kicsomagolás

Ellenőrizze, hogy a csomag teljes, és egy alkatrész sem sérült meg a szállítás miatt, vagy egyéb más okból.

A komplett PAPR rendszert tartalmazó csomagban a következők találhatóak:

- » Guardian Air készülék akkumulátorral és P R SL szűrő, illetve előszűrő
- » Óv
- » Levegőtömlő
- » Légáramlás jelző
- » Akkumulátortöltő
- » Használati utasítás

6.2. Összeszerelés

Csatlakoztassa a légfúvó egységet az övhez: Vezesse át a belső hevedert a levegőfúvó hurkok hátoldalán. Vezesse át az öv hurkokon, majd az övcsaton. (1. ábra / 4. oldal)

Helyezze az akkumulátort a légfúvó egységbe. (3. ábra / 4. oldal)

6.2.1. Derékvöv beállítása:

Helyezze az övet a dereka köré úgy, hogy a PAPR rendszer hátul legyen, és csatolja be a két végét.

Ha az öv túl laza, csúsztassa lefelé a csatlakozódugót az övön a csatlakozófoglat felé. Ha az öv túl szoros. Csúsztassa távolabb a csatlakozódugót a csatlakozófoglatattól.

Addig ismételje a fenti folyamatot, amíg kényelmes és biztonságos illeszkedést nem állít be. Miután az öv megfelelően áll, rögzítsen minden külső öv anyagot az öv hurkokhoz. (5. ábra / 4. oldal)

6.2.2. Részecszeszűrő

Csak a voestalpine Böhler Welding által biztosított Böhler jelzéssel ellátott szűrőket használjon. Bármely más szűrő használata érvényteleníti a garanciát és/vagy súlyos veszélyt jelent a termék(ek)e)t üzemeltető felhasználó egészségére.

Először egy foglalkozás-egészségügyi szakemberrel egyeztetve vagy a gyártó műszaki segélyvonalát felhívva győződjön meg arról, hogy a Böhler jelzéssel ellátott szűrők megfelelő védelmet nyújtanak-e a veszélyek ellen.

A Guardian Air nagy hatékonyságú, P R SL osztályú részecszeszűrőkkel van felszerelve.

Amint a riasztó hangjelzés megszólal, az előszűrőt ellenőrizni kell, vagy ki kell cserélni. Nagyon poros területeken ezt gyakran meg kell tenni.

A szűrőket rendszeresen kell ellenőrizni (lásd 7.2. Légáramlás tesztelése) és cserélni. A szűrőket cserélni kell és tilos azokat tisztítani / újra felhasználni.

Győződjön meg arról, hogy az új szűrők a használhatósági időn belül vannak, használatlanok, és nem található rajtuk sérülés. Higiénia okokból a fő szűrő maximális üzemideje 2 hét vagy 90 óra, amelyek hamarabb bekövetkeznek, és ezt nem szabad túllépni.

FIGYELMEZTETÉS!

Fontos, hogy a felhasználó ne keverje össze a szűrőn lévő jelöléseket az EN12941 1998 -A1:2003+A2:2008 szabványon kívüli más szabvány eszközre vonatkozó jelöléseivel, ha ezzel a szűrővel használják.

6.2.3. A szűrők eltávolítása és az új szűrők behelyezése

Nyissa ki a szűrőfedelelet úgy, hogy a fedelet a fűvő jobb oldalán kifelé húzza. (6. ábra / 4. oldal)

FIGYELEM! Szigorúan tilos bármilyen szerszámot használni a szűrőfedél kinyitásához.

A szűrő eltávolításához húzza ki a készülékből. Tisztítsa meg a készüléket a portól, ügyelve arra, hogy ne kerüljön por a légbeömlőnyílásba.

Helyezze vissza az új szűrőt a helyére. (7. ábra / 4. oldal) Óvatosan tolja be, amíg jól illeszkedik a készülék testéhez.

Zárja be a szűrőfedelelet. Fordítson különös figyelmet, a szűrőfedél megfelelően becsukva a helyére pattan. Ne próbálja meg használni a fűvőegységet a fedél megfelelő felhelyezése nélkül.

6.2.4. Az előszűrő cseréje (7. ábra / 4. oldal)

Az előszűrő egy hüvely, amely a főszűrő fölé van szerelve. Eltávolításához / cseréjéhez egyszerűen húzza le a régi szűrőt, és feszítse a helyére az újat. Fontos, hogy a főszűrő szűrőközegét az előszűrő teljesen befedje.

6.2.5. A tömlő csatlakoztatása a PAPR rendszerhez:

Illessze a tömlő bajonett csatlakozójának csapjait a PAPR rendszer levegőkimenetén lévő nyílásokhoz. Nyomja a bajonett csatlakozót a légfúvó egységre addig, amíg el nem éri a furat alját, majd fordítsa el az óramutató járásával megegyező irányba, amíg a tájolócsapok a helyükre nem pattannak.

A tömlő hasonló módon csatlakoztatható a pajzshoz.

6.2.6. A Böhler Guardian Air pajzsok felvétele:

1. Állítsa be a hegesztőpajzsot és a hegesztőszűrőt, hogy jól illeszkedjen. (Lásd a pajzs használati utasítást)
2. Emelje fel a pajzsot a felső pozícióba.
3. Helyezze a fejére és állítsa be a fejkosár racsnis kerekét úgy, hogy benyomja és addig forgatja, amíg el nem éri a megfelelő feszességet.
4. Húzza le a rugalmas állvédőt, és ugyanakkor húzza lefelé a pajzsot. Ügyeljen arra, hogy a rugalmas állvédő kényelmesen helyezkedjen el az állon.
5. A hegesztőpajzs készen áll a használatra.

7 HASZNÁLAT ELŐTT

7.1 Használat előtti ellenőrzés:

A munka megkezdése előtt minden egyes alkalommal ellenőrizze, hogy:

- » Minden komponens jó állapotban van, nem látható rajtuk sérülés (például lyukak, szakadások stb.). Cseréljen ki minden sérült vagy kopott alkatrészt. Alaposan ellenőrizze a levegőtömlőt, a tömítéseket és az arctömítést.
- » Jól csatlakozik a levegőtömlő és a pajzs, valamint a PAPR rendszer.
- » A levegőáram megfelelő. (lásd 7.2. A levegőáramlás tesztelése)
- » A levegőellátás az egész PAPR rendszeren keresztül történik a légfúvótól a pajzsig.
- » Az első használat előtt töltsen fel az akkumulátort, és minden további munkavégzés előtt ellenőrizze, hogy az akkumulátor töltöttsége megfelelő. (lásd 7.3. Akkumulátorok)
- » **Győződjön meg arról, hogy a riasztások megfelelően működnek (lásd 8. Használat)**

7.2. A levegőáramlás tesztelése: (4. ábra / 4. oldal)

1. Csatlakoztassa le a levegőtömlőt a légfúvó egységre.
2. Helyezze a légáramlás jelzőt a levegőtömlő csatlakozójába, és tartsa a tömlőt függőleges helyzetben körülbelül szemmagasságban.

3. Kapcsolja be a motoros egységet. A légáram csak akkor megfelelő, ha a golyós jelző eléri a minimális áramlási sebesség szintet. Ha a jelző a minimális áramlási sebesség szint alá süllyed, akkor ki kell cserélni az akkumulátort, vagy a szűrőt. Ha a probléma továbbra is fennáll, további javaslatokért lásd a 10. fejezetet.

7.3. Akkumulátorok

MEGJEGYZÉS! Az akkumulátorok szállításkor csak részlegesen vannak feltöltve. Minden akkumulátort fel kell tölteni az első használat előtt. Az akkumulátor töltése történhet külön, vagy a légfűvő egységben.



Fontos, hogy a termék(ek) töltésére azt az akkumulátortöltőt használja, amelyet a termék(ek)kel együtt szállították, és a gyártó által jóváhagyott akkumulátortöltőt. Bármely más akkumulátortöltő használata érvényteleníti a garanciát és/ vagy súlyos tűz- vagy robbanásveszélyt jelent.

A töltőt csak arra a célra szabad használni, amire gyártották. Ne töltsé az akkumulátort potenciálisan robbanásveszélyes környezetben. Az akkumulátortöltőt beltéri használatra tervezték. Védeni kell a nedvesség ellen. A töltő automatikusan vezérli a töltést. Miután az akkumulátor feltöltött, a töltő csepptöltő üzemmódra kapcsol, és teljesen feltöltve tartja az akkumulátort. A töltési idő 4-6 óra.

7.3.1. Akkumulátortöltés



Ellenőrizze, hogy az elektromos tápellátás feszültsége megfelelő.

4. **Győződjön meg arról, hogy a termék(ek) töltésére azt az akkumulátortöltőt használja, amelyet a termék(ek)kel együtt szállították, és a gyártó által jóváhagyott akkumulátortöltőt. Fontos, hogy csak a mellékelt töltőt használja. Ennek be nem tartása súlyos tűz- és robbanásveszélyt okozhat.**
5. Csatlakoztassa a töltőt az aljzatba. Vagy közvetlenül a légfűvőbe, ha az akkumulátor be van helyezve, vagy közvetlenül az akkumulátorhoz.
6. Csatlakoztassa az akkumulátort a töltőhöz. Az akkumulátoron lévő foglalat az akkumulátor hátoldalán található.
7. A töltöttség állapotát egy LED jelzőfény mutatja.
8. A töltés befejezése után a csepptöltő üzemmód aktiválódik: - a piros LED kikapcsol és a zöld LED bekapcsol a csepptöltés kezdetekor.
9. Csatlakoztassa le a töltőt a tápellátásról.

Ne hagyja az akkumulátortöltőt a tápellátáshoz csatlakoztatva, ha nem használja!

7.3.2. Akkumulátor cseréje

Az akkumulátor eltávolítása:
Keresse meg az akkumulátortartót. Húzza hátra az akkumulátortartót és ezzel együtt az akkumulátort felemelve távolítsa el az akkumulátort.

Az akkumulátor behelyezése:

Győződjön meg arról, hogy az akkumulátor megfelelően áll (6.2. szerint), majd csúsztassa a légfűvő egységbe addig, amíg az akkumulátortartó rögzül. Fontos, hogy az akkumulátortartó teljesen rögzüljön. (3. ábra / 4. oldal)

8 HASZNÁLAT

A vezérlőpanelen lévő BE/KI gombot megnyomva kapcsolja be a légfűvő egységet. A levegő áramlása a + / - gombokkal hat fokozatban állítható 180 l/perc és 220 l/perc között. A zöld LED-ek mutatják az aktuális légáramlás szintjét. Kérjük, ne feledje, hogy a gombokat 2 másodpercig nyomva kell tartani ahhoz, hogy a kívánt művelet megtörténjen. Ennek oka, hogy elkerülje a véletlenszerű módosításokat. (2. ábra / 4. oldal)

A Guardian Air folyamatos levegőellátást biztosít. Az egységben belüli mikroprocesszor automatikusan szabályozza a motor fordulatszámát, hogy ellensúlyozza a szűrő eltömődését és az akkumulátor állapotát. Ha a mikroprocesszor nem tudja fenntartani a beállított légáramot, akkor a készülék egy „sípolás” riasztást ad (hangjelzés hallható), ekkor a felhasználónak ellenőriznie kell a PAPR rendszert. Ha lehetséges, a mikroprocesszor automatikusan csökkenteni a légáramot a következő alsó szintre, ha az nem felel meg az alsó szintnek, a riasztás akkor is hallható. Amikor a légáram a minimális biztonságos üzemeltetési szint alá csökken, egy második hangjelzés csatlakozik az elsőhöz. Ekkor a felhasználónak azonnal abba kell hagynia a munkát, el kell hagynia a munkahelyét, és el kell jutnia egy biztonságosnak kijelölt területre, és ki kell cserélnie a szűrőt, vagy újra kell töltenie/ki kell cserélnie az akkumulátort.

A riasztások ellenőrzéséhez tenyérrel vagy más megfelelő eszközzel el kell zárni a levegő kiömlőnyílását. Ezután bekapcsol a PAPR rendszer mellett a motor megpróbálja elvégezni a kompenzálat a fordulatszám növelésével, amíg a mikroprocesszor a fent leírtak szerint riasztást nem aktivál.

Az akkumulátor ellenőrzése: Amikor először indítja be az egységet, az akkumulátor LED-je pirosan villog a vezérlőpanelen, majd kialszik, ha a továbbra is világít, akkor az akkumulátor töltöttsége alacsony, fel kell tölteni. Ajánlott teljesen feltöltött akkumulátort használni a műszak megkezdésekor.

Amikor a teljesen feltöltött akkumulátor a helyén van, az egységnek normál módon kell működnie, de ha a hangjelzés továbbra is hallható, a felhasználónak ki kell cserélnie a szűrőt. Ha a probléma továbbra is fennáll, további javaslatokért lásd a 10. fejezetet.

9 KARBANTARTÁS / TISZTÍTÁS

A légfűvő egységet, a szűrőházat és a pajzsot rendszeresen tisztítani kell, a jó üzemi állapot megőrzése érdekében.

Egy felhasználó esetén az egységet langyos szappanos vízzel nedvesített ruhával lehet tisztítani.

Több felhasználó esetén az egységet fertőtleníteni kell, amikor egyik felhasználó a másikkal átadja.

Folyadékot nem juthatnak a PAPR rendszerbe vagy a szűrőbetétre.

Az alkatrészeket levegőn kell megszáritani. Soha sem szabad semmilyen oldószert vagy súroló hatású tisztítószerrel tisztítani.

A PAPR rendszernek 2-3 évig is biztosítja a tervezett specifikációknak megfelelő védelmét, ha a karbantartását ezen utasításokkal összhangban végzik. Minden használat előtt a felhasználónak ellenőriznie kell, hogy a PAPR-rendszer hibamentes, pl. nincsenek repedések, szakadt szűrők és tömlők, repedt lencsék és pajzs alkatrészek.

10 HIBAKERESÉS

Ha a rendszer használata közben hirtelen változás történik a levegőellátásban, akkor ellenőrizni kell a következőket:

- » A levegőellátó rendszer minden alkatrésze megfelelően került-e összeszerelésre.
- » Az akkumulátort és a csatlakozóját
- » Az akkumulátor nem hibás-e, vagy nem hibásan működik-e
- » A szűrőket és azok esetleges eltömődését
- » Nem lyukadt-e ki a levegőtömlő.
- » Nem sérült-e meg a pajzs tömítése.
- » Nem csökkent-e le a teljesen feltöltött akkumulátorral történő munkavégzés ideje (ha lecsökkent, ki kell cserélni az akkumulátort).

| HIBA | LEHETSÉGES OK | AJÁNLÁS |
|--|--|---|
| A PAPR rendszer egyáltalán nem működik | <ul style="list-style-type: none"> » Teljesen lemerült akkumulátor (egy másik akkumulátorral ellenőrizze, hogy a légbe-fűvő rendszer működik-e) » Hibás motor, áramkörü kártya vagy csatlakozó | <ul style="list-style-type: none"> » Töltse fel az akkumulátort (ha a probléma továbbra is fennáll, ellenőrizze az akkumulátort) » Vegye fel a kapcsolatot a forgalmazójával. |
| Alacsony levegőáram | <ul style="list-style-type: none"> » Eltömődött levegőtömlő vagy légcsatorna » Szívórgás » Az akkumulátor nincs eléggé feltöltve » Eltömődött szűrő vagy előszűrő | <ul style="list-style-type: none"> » Ellenőrizze és szüntesse meg az eltömődést. Ellenőrizze az összes tömítést, csatlakozót és a levegőtömlőt. Ügyeljen arra, hogy ne szívórog-hasson a levegő lyukakon és szakadásokon keresztül. » Töltse fel az akkumulátort (ha a probléma továbbra is fennáll, ellenőrizze az akkumulátort) » Cserélje ki az előszűrőt. Majd ha a probléma továbbra is fennáll, cserélje ki a fő szűrőt. |
| Rövid üzemidő | <ul style="list-style-type: none"> » Eltömődött szűrő » Az akkumulátor nincs eléggé feltöltve | <ul style="list-style-type: none"> » Cserélje ki a szűrőket » Töltse fel az akkumulátort. (Ha a probléma továbbra is fennáll, ellenőrizze az akkumulátort) |
| Az akkumulátort nem lehet tölteni | <ul style="list-style-type: none"> » Az akkumulátor érintkezője sérült » A töltő meghibásodott | <ul style="list-style-type: none"> » Ellenőrizze az akkumulátor érintkezőjét. » Vegye fel a kapcsolatot a forgalmazójával |
| Az akkumulátort nem lehet eléggé tölteni | <ul style="list-style-type: none"> » Az akkumulátor elhasználódott | <ul style="list-style-type: none"> » Szereljen be új akkumulátort. |

11 TÁROLÁS ÉS SZÁLLÍTÁS

Ha nem használja, vagy szállítás közben a légfűvő és a fej egységeket abban a dobozban (vagy más hasonló tárolóban) kell tárolni, amelyben szállították, úgy, hogy ne érje közvetlen napfény, ne érintkezzen oldószerekkel, és ne érhesse fizikai sérülés kemény felületekkel/tárgyakkal való érintkezés során. Ne tárolja +0°C – +40°C hőmérsékletet vagy 75%-os relatív páratartalmat meghaladó környezetben.

12 JÓVÁHAGYOTT PAJZSRENDSZEREK (5. oldal)

- 13 - Guardian 50M Air - 86669
- 13 - Guardian 50FM Air - 86682
- 13 - Guardian 62 Air - 57007
- 13 - Guardian 62F Air - 57029
- 14 - Big Vision Air - 73314

13 ALKATRÉSZLISTA ÉS ÖSSZEÁLLÍTÁSI RAJZ (5. oldal)

- 1 - Guardian Air (komplett légfűvő készlet) - 86692
- 2 - motor egység - 86668
- 3 - P R SL részecskeszűrő (4 db) - 86645
- 4 - előszűrő (10 db) - 86655
- 5 - szikravédő - 86704
- 6 - szűrőburkolat - 86657
- 7 - szabványos akkumulátor (5200 mAh) - 86660
- 7 - nagy teljesítményű akkumulátor (7800 mAh) - 57075
- 8 - univerzális töltő - 57081
- 9 - flexibilis levegőtömlő levegőtömlő védővel - 57065
- 10 - komfort öv - 57144
- 11 - vállvevő - 57146
- 12 - légáram tesztelő - 57184
- 15 - pajzs arctömítő - 57182
- 16 - Böhler táska (kék)- 57186
- 16 - Böhler táska (fekete)- 86702

14 MŰSZAKI ADATOK

A Guardian Air egy könnyű, egyszerűen kezelhető PAPR rendszer. Egy cserélhető részecskeszűrőt tartalmaz. A rendszer megbízható védelmet nyújt a részecskék és az aeroszok ellen.

- » Légáram: 180 – 220 liter/perc, a riasztás aktiválásához szükséges minimális légáram 170 liter/perc.
- » Tömeg szűrővel és akkumulátorral: 870 gramm
- » Üzemi hőmérséklet: 0°C – +40°C
- » Szűrő típusa: P R SL
- » Akkumulátor típusa: Cserélhető és újratölthető Li-ion 7,4 V / 5200 mAh
- » Töltési ciklusok >350 r
- » Alacsony akkumulátortöltöttség vizuális jelzése
- » Vizuális és hangjelzés az elégtelen légáramlásról (170 l/perc alatt)
- » Névleges védelemtényező (Nominal Protection Factor = NPF) 500
- » Zajszint: 65 dB
- » Az üzemidő több, mint 8 óra, minimális légáramnál, új szűrővel és teljesen feltöltött akkumulátor esetén tiszta környezetben. (6 óra maximális légáram esetén.). A tényleges használat során az üzemidő jelentősen csökkenhet a környezet szennyezettsége alapján.
- » **Megjegyzés! Az üzemidő rövidebb lehet feltöltött akkumulátor esetén, ha a szűrő el van tömődve**

EN 12941:1998+A1:2003+A2:2008 tanúsítvány

Tanúsító szervezet: APAVE SUDEUROPE SAS Bejelentett szervezet 0082
13322 MARSEILLE
CEDEX 16
Franciaország

Ez a PPE eszköz megfelel az alábbi alkalmazandó EU szabványoknak:



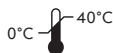
EN 12941:1998+A1:2003+A2:2008
EN166B:2001
EN379:2003 +A1:2009 EN175B

Szimbólumok:

Lásd a gyártó használati utasítását:



Tárolás 0-40°C közötti hőmérsékleten (Celsius fok):



Tárolhatóság időtartama:



Maximális tárolási páratartalom <75%:



Szűrőszimbólumok:

R = azt jelenti, hogy a szűrő egynél több műszakban is használható

S = azt jelenti, hogy a szűrő szilárd részecskék elleni védelmet biztosít.

L = azt jelenti, hogy a szűrő folyadék részecskék elleni védelmet biztosít.

15 GARANCIA

A Guardian Air garanciája a mechanikai vagy elektromos hibák tekintetében a vásárlástól számított 12 hónapos időtartamra szól.

A Böhler akkumulátorra a gyártástól számított 12 hónapos garancia vonatkozik.

A voestalpine Böhler Welding vállalja, hogy díjmentesen cseréli vagy kijavítja az alkatrészeket, amelyek ezen időszak alatt hibásnak bizonyultak. Másik megoldásként a voestalpine Böhler Welding saját belátása szerint helyettesítheti az alkatrészt. A garancia feltételei:

A Guardian Air készüléket kizárólag rendeltetése szerinti célra használták.

A Guardian Air készüléket megfelelően használták, nem érte baleset, nem végeztek rajta átalakítást vagy javítást.

Megjegyzés: Igénybejelentés esetén forduljon a forgalmazójához, akitől a Guardian Air készüléket vásárolta.

Ez a garancia nem vonatkozik a normál kopásra és elhasználódásra.

Ez a garancia nem befolyásolja az Ön jogait.

Guardian Air

PAPR-JÄRJESTELMÄN KÄYTTÄJÄOPAS

Hyväksytty standardin BS EN12941 mukaisesti: 1998 - A1:2003+A2:2008 TH3
HENGITYKSENSUOJAIN - PUHALTIMELLA VARUSTETTU LAITE, JOHON SISÄLTYY HITSAUSKYPÄRÄSARJA
LUOKKA TH3 P R SL

KÄYTTÖOHJEEN KÄÄNNÖS

Valmistaja pidättää oikeuden milloin tahansa ja ilman ennakkoilmoitusta tehdä näihin käyttöohjeisiin painovirheiden, epätarkkuuksien tai tuoteparannusten vuoksi tarpeelliseksi käyviä muutoksia ja lisäyksiä. Tällaiset muutokset sisällytetään kuitenkin käyttöohjeen seuraaviin painoksiin.

Uusimmat tuoteasiakirjat sekä kaikki **voestalpine Böhler Welding**in yhteystiedot löytyvät verkkosivuiltamme osoitteesta: www.voestalpine.com/welding.

TÄRKEÄÄ!

Tämä käyttäjän opaskirja on luettava ja ymmärrettävä täysin ennen laitteen käyttämistä.
Opaskirja on tämän jälkeen säilytettävä tulevaa käyttöä varten.

SEURAAVIIN TIETOIHIIN SÄHKÖKÄYTTÖISEN EPÄPUHTAUKSIA ILMASTA POISTAVAN HENGITYKSENSUOJAIMEN KÄYTTÄMISEKSI HITSAUSKYPÄRIEN KANSSA TUTUSTUMINEN ON PAKOLLISTA

On ehdottoman tärkeää, että noudatat näitä käyttöohjeita tarkasti PAPR (sähkökäyttöinen epäpuhtausilma poista hengityksensuojain) -järjestelmää käytettäessä. Ohjeiden noudattamatta jättäminen voi johtaa siihen, että sinulle tarjottu tai saatavillasi oleva takuusoja ei enää päde tuotte(id) en osalta. Katso takuusojan tarkat yksityiskohdat tuotte(id) esi osalta ostosopimuksesi ehdoista.

Tuot(te)e(t) on suunniteltu terveyttäsi ja hyvinvointiasi turvaamiseen. Käyttäjöohjeiden noudattamatta jättäminen voi vahingoittaa johtaa terveytesi ja hyvinvointisi vaarantumiseen.

Lue käyttäjöohjeet huolellisesti ennen tuotte(id)en poistamista pakkauksesta.

Emme anna suosituksia liittyen tuotteen sopivuuteen tarpeisiin. Jos sinulla on kysymyksiä tuotteen sopivuudesta tehtäviisi, ota yhteyttä työpaikkasi hygieniavastaavaan.

Osoitetiedot löytyvät sivulta 2.

SISÄLTÖ

1. Esittely
2. Käyttöalue
3. Hyväksynnät
4. Käytön ennakkoehdot
5. Järjestelmän yleiskatsaus
6. Pakkauksesta poistaminen / kokoaminen
7. Ennen käyttöä
8. Käyttö
9. Huolto/puhdistus
10. Vikojen löytäminen
11. Varastointi ja kuljetus
12. Sertifiointujen kypäräjärjestelmien luettelo
13. Luettelo osista ja kokoonpanopiiirustus
14. Tekniset tiedot
15. Takuu

1. ESITTELY

Guardian Air on hengityksensuojainjärjestelmä, jonka toimintaperiaatteena on kypärässä kiertävä ylipaineinen ilma. Hihnakiinnitettävä puhallinyksikkö vie ilmaa suodattimen läpi ja ilmaletkun kautta kypärään. Suodatettu ilma luo positiivisen paineen kypärän sisälle, mikä taas pitää ulkoisen saastuneen ilman poissa käyttäjän hengitysvyöhykkeeltä.

2. KÄYTTÖALUE

PAPR-järjestelmä sopii kaikkiin sovelluksiin, joissa EN12941-sertifiointi on riittävä. Yksikkö ei sovi hitsaamiseen ahtaissa tiloissa. (Katso 4. Käyttöehdot)

3. HYVÄKSYNNÄT

Guardian Air on suunniteltu ja valmistettu standardin EN12941: 1998 - A1:2003+A2:2008 mukaisesti TH3 P R SL -laitteeksi.

BS4275 (ohje tehokkaan hengityksen suojaohjelman toimeenpanoon), jonka lukemista suositellaan käyttäjälle, määrittelee EN12941 TH3 P R SL -laitteiden tarjoavan Nimellisen suojakerroin 500.

PAPR-järjestelmä voi tarjota tämän suojatason vain silloin, kun sitä käytetään valmistajan tarjoamalla suodattimilla, jotka on merkitty "Böhler" ja "EN12941:1998 TH3P R SL".

Hitsauskypärät on sertifioitu standardin EN 175B mukaisiksi

PAPR-järjestelmät on valmistettu täyttämään ISO 9001:2000 -laatuajärjestelmän vaatimukset.

4. KÄYTÖN ENNAKOEHDOT

Guardian Airia on käytettävä vain tämän käyttöohjekirjan ja vastaavan kypärän mukana tulevien ohjeiden mukaisesti.

Käyttäjän on luettava ja ymmärrettävä kaikki seuraavat käyttöohjeet ja osattava käyttää hengityksensuojainjärjestelmiä oikein. Kysymykset tulisi suunnata valmistajan yhteystahoille, jotka on annettu sivulla 2.

Kun PAPR sammutetaan, hengityssuojaa voidaan odottaa vain vähän tai ei ollenkaan. Kun PAPR-järjestelmä sammutetaan, kypärässä voi tapahtua nopea hiilidioksidin kertyminen ja hapen loppuminen. **joten puhallinyksikön käyttäminen PAPR-järjestelmä sammutettuna on ehdottomasti kiellettyä.**

GUARDIAN AIRIA EI TULE KÄYTTÄÄ:

- » Kun huoneenilma on välittömästi vaarallinen käyttäjän hygienialle tai terveydelle tai sen happipitoisuus on alle 19,5 %, tai siinä on tuntemattomia aineita.
- » Ahtaissa tai ilmastoimattomissa tiloissa, kuten säilöt, putket, kanaalit jne.
- » Lähellä liekkejä ja/tai kipinöitä
- » Alueella, joissa on räjähdysvaara.
- » Alueella, jossa tuulee kovaa.
- » Jos puhallinyksikkö lakkaa mistä tahansa syystä toimimasta, käyttäjän on lähdettävä saastuneelta alueelta välittömästi.

ON MYÖS OLENNAISEN TÄRKEÄÄ, ETTÄ:

- » Minkään ei anneta koskettaa liikkuvia osia.
- » PAPR-järjestelmää tai suodatinta ei yritetä muuttella millään tavalla.
- » Vettä tai muuta nestettä ei mene laitteeseen millään tavalla - etenkin moottoriin ja tuulettimeen, suodattimeen tai akkuun.

Varmista, että kypärä sopii käyttäjän kasvoille täydellisesti. Vain näin voit varmistaa järjestelmän riittävän tehokkuuden. Koko järjestelmän suojakerroin pienenee, jos kypärän tiivistettä ei ole sovitettu paikalleen kunnolla esimerkiksi sen takia, että parta tai pitkät hiukset ovat tiivistelijnä tiellä.

On mahdollista, että kypärän letku juuttuu johonkin käytössä. PAPR-järjestelmä tulisi asettaa henkilön päälle tavalla, joka vähentää tätä mahdollisuutta.

Suodatinta ei voida sovitaa suoraan kypärään, eikä sitä pitäisi mukauttaa, että näin voisi tehdä.

Oikeanlaista hengityssuojaa ei voida tarjota, jos mitään laitteen osaa muutellaan millään tavalla.

Korkeilla työasteilla PAPR-järjestelmän paine voi muuttua negatiiviseksi hengitysvirran huippukohdissa. Jos käyttäjällä on minkäänlaisia epäilyksiä, tämän tulisi konsultoida paikallisia terveys- ja turvallisuushenkilöitä ja suorittaa hyväksynnän saavia riskiarvioita.

PAPR-järjestelmät on suunniteltu vain osaavien ja koulutettujen henkilöiden käytettäväksi.

HUOMIO!

Jos mitään näistä ehoista ei pidetä tai noudateta, takuu on automaattisesti epäkelpo.

KÄYTTÄJÄLLE SUOSITTELAAN SAASTUNEEN ALUEEN JÄTTÄMISTÄ VÄLITTÖMÄSTI, JOS:

- » Valmistajan minimisuunnitteluvirta (MMDF) -varoitushälytys soi
- » Hengitys vaikeutuu
- » Ilmenee huihasta tai huonoa oloa
- » Mikään järjestelmän osa vahingoittuu
- » Ilmavirta kypärään pienenee tai pysähtyy
- » Saastuttava aine voidaan haistaa tai maistaa kypärän sisällä
- » Materiaalien, jotka voivat olla kontaktissa käyttäjän ihon kanssa, ei tiedetä aiheuttavan allergisia reaktioita suurimalle osalle yksilöitä, mutta siinä epätodennäköisessä tilanteessa, että reaktio tapahtuu, käyttäjän tulisi jättää saastunut alue välittömästi, poistaa yksikkö ja hakea lääkinnällistä apua.

5. JÄRJESTELMÄN YLEISKATSAUS

Guardian Air on hinnalla kiinnitettävä hengityksensuojain, jossa on korvattava ja hävitettävä korkea tehokkuuden pienihiukkasuodatinjärjestelmä. Järjestelmä on sertifioitu kypärille, joita käsitellään osiossa 10. Ne kattavat pään koot 535-600 mm. PAPR-järjestelmässä on poistettava 8 tuntia kestävä ladattava akkupakkaus. (8 tuntia puhtaassa ympäristössä - työskennellessä tämä aika voi lyhentyä merkittävästi ilman pienihiukkasuodattimesta riippuen)

Guardian Air varoittaa käyttäjää, kun MMDF-tasoa 170 l/min ei saavuteta, äänihälytyksellä ja vilkkuvilla LED-valoilla.

Käytön aikana käyttäjän on välittömästi hälytyksen kuullessaan jätettävä työalue ja siirryttävä erikseen nimetyille turvalliselle alueelle. PAPR-järjestelmässä on visuaalinen matalan akun virtatason hälytys ja useita tukkeutuneen suodattimen hälytyksiä, sekä ääni- että visuaalisia hälytyksiä. Viasta riippuen käyttäjän on korvattava suodatin uudella (erittäin pölyisissä ympäristöissä suodatinta on vaihdettava taajaan) tai ladattava akku tai vaihdettava se uudelleen täysin ladattuun akkuun. Vain, kun PAPR-järjestelmä toimii hälytys pois päältä otettuna ja virtausaste on todettu testien kautta hyväksyttäväksi, tulisi käyttäjän palata työpaikalle.

Suodatin on kehitetty eritoten tälle yksikölle. Sitä käytetään suodattamaan käyttäjän hengittämää ilmaa. On olennaisen tärkeää, että käyttäjä tarkistaa suodattimesta kaikki vahingoittumisen tai vääristymisen merkit, jotka voisivat mahdollisesti päästää saastunutta ilmaa järjestelmään. Suodatin on hävitettävä, jos se on vahingoittunut tai jos se tukkeutuu siihen pisteeseen, että järjestelmän hälytysmekaniikka laukeaa.

Poistettava ja ladattava akku, jota käytetään, on litiumioniakku. Akussa voi olla toimitettaessa pieni lataus. PAPR-järjestelmä tulisi käyttää tyhjäksi ja sitten ladata sitä kuusiosta tuntia ennen ensimmäistä käyttökertaa.

6. PAKKAUKSESTA POISTAMINEN / KOKOAMINEN

6.1. Pakkauksesta poistaminen

Tarkista, että pakkauksessa on kaikki osat ja että mikään osa ei ole vahingoittunut siirtämisen tai muiden syiden takia.

Pakkaus, jossa on täysi PAPR-järjestelmä, mukaan lukien ohje-laitteet, sisältää seuraavat:

- » Guardian Airin, ml. akku ja P R SL -suodatin ja esisuodatin
- » Hihna
- » Ilmaletku
- » Ilmavirtauksen ilmaisim
- » Akkulaturi
- » Käyttöohjeet

6.2. Kokoonpano

Liitä puhallinyksikkö hihnaan: Vie sisempi vyö puhaltimen lenkkien läpi. Vientikohta vyön hihnojen läpi ja sitten soljestä. (Kuva 1 / s. 4)

Sijoita akku puhallinyksikköön. (Kuva 3 / s. 4)

6.2.1. Hihnan säätö:

Laita hihna vyötärösi ympärille PAPR-järjestelmä selkään päin ja kiinnitä päätt toisiinsa.

Jos vyö on liian löysä, liu'uta urossäätimen vyötä alaspäin naaraspuolta kohti. Jos vyö on liian tiukka, liu'uta urossäädintä naaraspuolisesta pois päin.

Toista yllä olevat prosessit, kunnes hihna sopii mukavasti ja vankasti. Kun vyö sopii päällesi oikein, voit viedä kaikki liialliset vyömaterialit vyön solkien läpi. (Kuva 5 / s. 4)

6.2.2. Pienihuikkasuodatin:

Käytä vain Böhler-merkityjä suodattimia, jotka on toimittanut voestalpine Böhler Welding. Minkä tahansa muun suodattimen käyttäminen aiheuttaa takuusuojan kelvollisuuden lakkaamisen ja/tai vakavan riskin tuotte(id)en käyttäjälle.

Ensin tulisi selvittää, ottamalla yhteyttä työpaikan hygieniava-
staavaan tai soittamalla valmistajan tekniseen tukeen, tarjo-
aako Böhler-merkitty suodatin riittävää suojaa vammautumista
vastaan.

Guardian Air on varustettu tehokkaalla partikkelisuojoilla, lu-
okka P R SL.

Varoituksen kuuluessa esisuodatin olisi vaihdettava tai tarkis-
tettava. Pölyisillä alueilla tämä voi olla tarpeen tehdä usein.

Suodattimet on tarkistettava säännöllisesti (katso 7.2. Ilmavirtatesti) ja vaihdettava. Suodattimet on vaihdettava, ja niitä ei tule puhdistaa tai käyttää uudelleen.

Varmista, että uudet suodattimet eivät ole ohittaneet vanhenemispäivänsä, niitä ei ole käytetty ja että ne eivät ole selkeän vahingoittuneita.

Hygieeniseltä kannalta pääsuodattimen maksimiväaika on 2 viikkoa tai 90 tuntia, mikä näistä sitten on suurempi, ja tätä ei tulisi ylittää.

VAROITUS!

On olennaisen tärkeää, että käyttäjän ei tulisi sekoittaa suodattimen merkintöjä, jotka liittyvät muihin standardeihin kuin EN12941 1998 -A1:2003+A2:2008-luokitteluun, laitteen luokitukseen laitetta käytettäessä.

6.2.3. Suodattimien poisto ja uusien sovitus

Avaa suodattimen kansi vetämällä sitä ulospäin puhaltimen oikealta puolelta. (Kuva 6 / s. 4)

HUOMIO! Suodattimien avaaminen työkaluilla on ehdottomasti kielletty.

Poista suodatin vetämällä se ulos laitteesta. Puhdista laite pölystä varmistuen, ettei pölyä pääse ilmanottoaukkoon.

Aseta uusi suodatin takaisin paikalleen. (Kuva 7 / s. 4) Työnnä sitä varovasti sisään, kunnes se istuu hyvin yksikön runkoon.

Sulje suodattimen kansi. Ole erityisen tarkka, suodattimen kansi napsahtaa paikalleen, kun se on kunnolla kiinni. Älä yritä käyttää puhallinyksikköä ilman, että kansi on asennettu oikein.

6.2.4. Esisuodattimien vaihto (Kuva 7 / s. 4)

Esisuodatin on holkki, joka asennetaan pääsuodattimen päälle. Irrottaaksesi / vaihtaaksesi vedä vanha suodatin pois ja venytä uusi suodatin paikalleen. On tärkeää varmistaa, että esisuodatin peittää pääsuodattimen suodatinmateriaalin kokonaan.

6.2.5. Letkun kiinnittäminen PAPR-järjestelmään:

Kohdista letkupistimen nastat PAPR-järjestelmän ilman ulostuloaukon reikiin. Työnnä pistinliitintä puhaltimeen, kunnes se saavuttaa reiän pohjan, ja sitten käännä sitä myötäpäivään, kunnes paikallistaminnastat napsahtavat paikalleen.

Sovita letku kypärään toistamalla samat toimenpiteet.

6.2.6. Böhler Guardian Air -kypärän kiinnitys:

1. Aseta hitsauskypärän kallistuskulma ja säädä hitsaussuodatin pukuun. (Katso kypärän käyttöohjeet)
2. Nosta kypärä yläasentoon.
3. Aseta se päähäsi ja säädä sen kireyttä päähän menevän osan räikkäpyörästä työntämällä ja kääntämällä, kunnes sopiva kireys saavutetaan.
4. Vedä elastista leukasuojaa alaspäin ja vedä samalla kypärä päähäsi. Varmista, että elastinen leukasuoja sopii mukavasti leuan alle.
5. Hitsauskypärä on nyt valmis käyttöön.

7.1 Tarkistus ennen käyttöä:

Aina ennen työn aloittamista tarkista, että:

- » Kaikki osat ovat hyvässä kunnossa eivätkä näkyvästi vahingoittuneita (reiät, halkeamat jne.) Korvaa vahingoittuneet ja kuluneet osat. Tarkista ilmaletku, tiivisteet ja kasvo-osat tarkasti.
- » Yhteys ilmaletkun ja kypärän sekä PAPR-järjestelmän välillä on hyvä.
- » Ilmavirta on riittävä. (katso 7.2. Ilmavirtatesti)
- » Ilmansyöttö toimii koko PAPR-järjestelmässä puhaltimesta kypärään.
- » Lataa akku ennen ensimmäistä käyttökertaa ja tarkista, että akussa on riittävästi virtaa, ennen jokaista käyttökertaa. (Katso 7.3. Akut)
- » **Varmistu, että akut toimivat oikein (katso 8. Käyttö)**

7.2. Ilmavirtatesti: (Kuva 4 / s. 4)

1. Irrota ilmaletku puhallinyksiköstä.
2. Aseta ilmavirtailmaisin ilmaletkun liittimeen, ja pidä letkua vertikaalisessa asennossa noin silmien tasolla.
3. Laita virtayksikkö päälle. Ilmavirta on riittävä vain, jos kuulailmaisin saavuttaa minimivirta-asteen. Jos ilmaisin putoaa minimivirta-asteen alle, on tarpeen ladata akut tai vaihtaa suodatin. Jos ongelma jatkuu, katso kappaaleesta 10 lisä ehdotuksia.

7.3. Akut

HUOMIO! Akut toimitetaan vain osittain ladattuna. Kaikki akut on ladattava ennen ensimmäistä käyttökertaa. Akut voidaan ladata erikseen tai puhallinyksikössä.



VAROITUS

On olennaista, että akkulaturi, jota käytetään tuotte(id)en lataamiseen, on sama, mikä toimitettiin sinulle tuotteen/ tuotteet vastaanottaessasi, ja on valmistajan hyväksymä akkulaturi. Minkä tahansa muun akkulaturin käyttöä tarkoittaa, ettei takuusaajoa enää päde, ja/ tai aiheuttaa vakavan riskin siitä, että koituu tuotteen käyttäjän terveydelle vahingollinen tulipalo tai räjähdys.

Laturia ei tule käyttää mihinkään muuhun kuin siihen tarkoitukseen, johon se valmistettiin. Älä lataa akkua räjähdysriskissä ilmapiiirissä. Akkulaturi on tarkoitettu sisäkäyttöön. Se tulee suojata kosteutta vastaan. Laturi hallinnoi lataamista automaattisesti. Laturin täyteen lataamisen jälkeen laturi alkaa ladata vähittäin pitäen akun täysin ladattuna. Latausaika on 4-6 tuntia.

7.3.1. Akun lataus



Tarkista, että sähkövirran jännite on annettu oikein.

1. **Tarkista, että akkulaturi, jota käytetään lataamaan tuot(t)te(et), on sama, mikä toimitettiin sinulle ottaessasi tuotteen/tuotteet vastaan, ja että se on valmistajan hyväksymä akkulaturi. On olennaista käyttää vain toimitettua laturia. Se, ettei tee näin, voi aiheuttaa vakavan tulipalon tai räjähdyksen vaaran.**
2. Työnnä laturi pistokkeeseen - joko suoraan puhaltimeen akun ollessa paikallaan tai suoraan akkuun.
3. Yhdistä akku laturiin. Akun pistoke sijaitsee takaosassa.
4. Lataustilan ilmaisee punainen LED-diodivalo.
5. Latauksen suorittamisen jälkeen aktivoidaan vähittäinen lataus. - punainen LED-diodi sammuu ja vihreä LED-diodi syttyy vähittäisen latauksen hetkellä.
6. Irrota laturi virtalähteestä.

Älä jätä akkulaturia virtalähteeseen, jos se ei ole käytössä!

7.3.2. Akkulataus

Akun poistaminen

Paikallista akun salpa. Vedä akun salpaa. Voit poistaa samalla akun nostamalla sitä.

Akun sovitus:

Varmista, että akku on oikein päin (kuvan 6.2 mukaisesti) ja liu'uta sitä puhallinyksikköön, kunnes akun salpa loksahtaa paikalleen. On olennaista tärkeää lukita akun salpa täysin. (Kuva 3 / s. 4)

8. KÄYTTÖ

Käynnistä puhallin painamalla ONICEF-painiketta hallintapaneelissa. Ilmavirtaa voidaan säätää välillä 180-220 l/min painamalla +/- -painikkeita kuudella eri nopeudella. Vihreät LED-diodit näyttävät todellista ilmavirran tason. Huomaa, että joka painalluksella on olennaista pitää painiketta pohjassa 2 sekuntia, jotta toiminto tapahtuu. Tällä välitetään vahingossa tapahtuvat muutokset. (Kuva 2 / s. 4)

Guardian Air varmistaa jatkuvan ilman syötön. Mikroprosessori yksikön sisällä säätelee automaattisesti moottorin nopeutta kompensoidakseen suodattimen tukkeutumisen ja akun tilan. Jos mikroprosessori ei voi pitää säädettyny ilmavirtaa yllä, yksiköstä kuuluu piippaushälytys (äänisignaali), jolloin käyttäjän on tarkistettava PAPR-järjestelmä. Jos mahdollista, mikroprosessori vähentää ilmavirtausta automaattisesti seuraavaksi pienemmälle tasolle. Jos se ei saavuta alemmaa tasoa, hälytys kuuluu silti. Kun ilmavirta putoaa turvallisen vähimmäistoimintatason alapuolelle, toinen äänihälytys alkaa kuulua ensimmäisen rinnalla. Tässä vaiheessa käyttäjän on opetettava työnteko välittömästi, lähdeittävä työympäristöstä ja siirryttävä erikseen nimetyille turvalliselle alueelle vaihtamaan suodatin ja lataamaan akku uudelleen.

Tarkistaaksesi hälytykset sinun tulee sulkea ilman tuloaukko kämmenellä tai toisella soveltuvalle menetelmällä. Kun PAPR-järjestelmä laitetaan tämän jälkeen päälle, moottori yrittää kompensoida lisäämällä nopeutta, kunnes mikroprosessori aiheuttaa hälytyksen yllä kuvatulla tavalla.

Tarkistaaksesi akun: Kun käynnistät yksikön ensimmäistä kertaa, akun LED-valot vilkkuvat punaisena hallintapaneelissa ja sammuttavat. Jos valo säilyy päällä, akun taso on matala ja se tulisi ladata. Suosittelemme sinua käyttämään vain täysin ladattua akkua aloittaessasi työvuoron.

Kun täysin ladattu akku on paikallaan, yksikön tulisi toimia normaalisti, mutta jos äänihälytys soi tästä huolimatta, käyttäjän on vaihdettava suodatin. Jos ongelma jatkuu, katso kappaleesta 10 lisää ehdotuksia.

9. HUOLTO/PUHDISTUS

Puhallinyksikkö, suodattimen tila ja kypärä on puhdistettava säännöllisesti, jotta ne pysyisivät hyvässä työkykyssä.

Yksittäisten käyttäjien osalta yksiköt voidaan kaikki puhdistaa kankaalla, joka on kasteltu haaleaan veteen ja saippaun. Jos käyttäjiä on monta, yksiköt tulisi desinfioida, kun niitä siirretään käyttäjältä toiselle.

Nesteitä ei tulisi päästää toimiviin PAPR-järjestelmiin tai suodattimen elementtiin.

Osien tulisi voida ilmakeivä. Missään olosuhteissa ei tulisi käyttää liuosia tai syövyttäviä puhdistusaineita. Yksikköä ei pidä kuivata kuumalla ilmalla tai säteilevällä lämmöllä.

PAPR-järjestelmän tulisi jatkaa suojan tarjoamista määritetyllä tavalla 2-3 vuotta, kun sitä ylläpidetään näiden ohjeiden mukaisesti. Ennen kutakin käyttökertaa käyttäjän tulisi tarkistaa soveltuvalle tavalla, että PAPR-järjestelmästä ei löydy vikoja, esimerkiksi murtumia, hajonneita suodattimia, letkuja, murtuneita kasvosuojia ja kypärän osia.

10. VIKOJEN LÖYTÄMINEN

Jos ilman saannissa tapahtuu äkkimuutos järjestelmää käytettäessä, tarkista seuraavat:

- » Että kaikki ilmansyöttöjärjestelmän osat on koottu oikein.
- » Akku ja sen liitin
- » Että akussa ei ole vikoja tai väärienlaista toimintaa.
- » Suodattimet ja niiden tukkeutuminen
- » Että ilmaletkussa ei ole reikää.
- » Että kypärän sinetti ei ole vahingoittunut.
- » Että työaika täyden akun latauksen jälkeen ei ole vähentynyt (jos on, on tarpeen korvata akku).

| VIKA | TODENNÄKÖINEN SYY | SUOSITUS |
|-------------------------------------|---|---|
| PAPR-järjestelmä ei toimi ollenkaan | <ul style="list-style-type: none"> » Täysin tyhjenetty akku (varmista, toimiiko puhallinyksikkö toisella ladatulla akulla) » Viallinen moottori, piirialusta tai liitin | <ul style="list-style-type: none"> » Lataa akku (jos ongelma jatkuu, tarkista akku) » Ota yhteyttä toimittajaasi. |
| Matala ilmavirta | <ul style="list-style-type: none"> » Tukossa oleva ilmaletku tai ilmakanava » Vuoto » Akkua ei ole ladattu tarpeeksi » Tukossa oleva suodatin tai esisuodatin | <ul style="list-style-type: none"> » Tarkista ja poista tukos. Tarkista kaikki sinetit, liittimet ja ilmaletkut. Varmista, että ilmaa ei voi vuotaa reikien tai repeämien läpi. » Lataa akku (jos ongelma jatkuu, tarkista akku) » Vaihda esisuodatin. Jos ongelma jatkuu, vaihda pääsuodatin. |
| Lyhyt käyttöaika | <ul style="list-style-type: none"> » Tukossa oleva suodatin » Akkua ei ole ladattu oikein | <ul style="list-style-type: none"> » Vaihda suodattimet » Lataa akku. (Jos ongelma jatkuu, tarkista akku) |
| Akkua ei voida ladata | <ul style="list-style-type: none"> » Akun liitin on vahingoittunut » Laturi on viallinen | <ul style="list-style-type: none"> » Tarkista akun liitos. » Ota yhteyttä toimittajaasi |
| Akkua ei voida ladata tarpeeksi | <ul style="list-style-type: none"> » Akku on kulunut | <ul style="list-style-type: none"> » Asenna uusi akku. |

11. VARASTOINTI JA KULJETUS

Kun puhallin ja pääyksikö eivät ole käytössä tai kun niitä kuljetetaan, ne tulisi säilyttää kontissa jossa ne toimitettiin tai vastaavassa kontissa, niin että ne eivät ole suorassa auringonvalossa, yhteydessä liuottimiin, ja että ne eivät voi kokea vahinkoa fyysisestä yhteydestä koviin pintoihin tai kohteisiin. Älä varastoi laitetta alueella, jossa lämpötilat ovat 0–40 °C tai niin, että kosteus on yli 75 % RH.

12. SERTIFIOIDUT KYPÄRÄJÄRJESTELMÄT (s. 5)

- 13 - Guardian 50M Air - 86669
- 13 - Guardian 50FM Air - 86682
- 13 - Guardian 62 Air - 57007
- 13 - Guardian 62F Air - 57029
- 14 - Big Vision Air - 73314

13. LUETTELO OSISTA JA KOKOAMISPIIRUSTUS (s. 5)

- 1 - Guardian Air (täysi puhallinsarja) - 86692
- 2 - moottoriyksikkö - 86668
- 3 - pienhiukkassuodatin P R SL (4 kpl) - 86645
- 4 - esisuodatin (10 kpl) - 86655
- 5 - kipinäsuoja - 86704
- 6 - suodattimen kansi - 86657
- 7 - vakioakku (5 200 mAh) - 86660
- 7 - raskaaseen käyttöön tarkoitettu akku (7 800 mAh) - 57075
- 8 - yleislaturi - 57081
- 9 - joustava ilmaletku, ml. ilmaletkun suoja - 57065
- 10 - tukivivö - 57144
- 11 - olkain - 57146
- 12 - ilmavirran testauslaite - 57184
- 15 - kypärän kasvosinetti - 57182
- 16 - Böhler-pussi (sininen) - 57186
- 16 - Böhler-pussi (musta) - 86702

14. TEKNISET TIEDOT

Guardian Air on kevyt ja helppokäyttöinen PAPR-järjestelmä. Se on varustettu vaihdettavalla pienhiukkassuodattimella. Järjestelmä tarjoaa luotettavaa suojaa pienhiukkasia ja aerosoleja vastaan.

- » Ilmavirta: 180–220 litraa per minuutti, niin että minimivirta-aste on 170 litraa minuutissa, ja tämän alle mentäessä kuuluu häilytys.
- » Paino suodattimella ja akulla: 870 grammaa
- » Toimintalämpötila välillä 0–40 °C
- » Suodattimen tyypit: P R SL
- » Akun tyyppi: Korvattava ja ladattava Li-Ion 7,4 V / 5 200 mAh
- » Lataussyklit > 350 r
- » Visuaalinen häilytys akkujännitteen ollessa matala
- » Visuaalinen äänihäilytys riittämättömälle virtausasteelle (alle 170 l/min)
- » Nimellis suojakerroin (Nominal Protection Factor = NPF) 500
- » Melutaso: 65 dB
- » Toiminta-aika on yli 8 tuntia minimivirtausasteella, uudella suodattimella ja täysin ladatulla akulla puhtaassa ympäristössä. (6 tuntia maksimivirta-asteella). Todellisessa käytössä käyttäjät voivat vähentyä merkittävästi, riippuen ympäristön saastumisasteesta.
- » **Huom! Käyttöaika voi lyhentyä merkittävästi, jos ladatun akun alla on tukossa oleva suodatin**

Sertifiointi EN 12941:1998+A1:2003+A2:2008

Sertifioija: APAVE SUDEUROPE SAS Notified Body 0082
13322 MARSEILLE
CEDEX 16
Ranska

Tämä PPE-laite noudattaa seuraavia soveltuvia EU-standard-
deja:



EN 12941:1998+A1:2003+A2:2008
EN166B:2001
EN379:2003 +A1:2009 EN175B

Symbolit:

Katso valmistajan
ohjekirja:



Varastointi 0–40 °C lämpötilas-
sa
(celsius)



Säilyvyysaika:



Enimmäissäilyvyysaika
Kosteus < 75 %



<75%

Suodattimen symbolit

R = tarkoittaa, että suodatinta voidaan käyttää uudelleen
useamman kuin yhden vuoron ajan

S = suodatin antaa suojaa kiinteitä hiukkasia vastaan.

L = suodatin antaa suojaa nestemäisiä hiukkasia vastaan.

15. TAKUU

Guardian Airilla on takuu 12 kuukauden ajalle ostopäivästä mekaanisia ja sähköisiä vikoja vastaan. Böhler-akulle annetaan takuu 12 kuukauden ajalle valmistuspäivästä.

voestalpine Böhler Welding lupaa vaihtaa tai korjata maksutta minkä tahansa osan, jonka havaitaan olevan tämän jakson aikana viallinen. Lisäksi voestalpine Böhler Welding voi omasta valinnastaan korvata osan.

Takuu on voimassa vain seuraavien velvoitteiden täytyessä: Guardian Airia on käytetty vain tarkoituksenmukaisesti.

Guardian Airia ei ole väärinkäytetty, se ei ole ollut onnettomuudessa, tai sitä ei ole muutettu tai korjattu.

Huom: jos sinulla on takuuseen liittyvä vaade, ota yhteyttä jälleenmyyjään, jolta Guardian Air on ostettu.

Takuu ei kata normaalia kulumista.

Takuu ei vaikuta lainmukaisiin oikeuksiisi

Guardian Air

GEbruIKSHANDLEIDING VOOR PAPR-SYSTEMEN

Goedgekeurd volgens BS EN 12941 : 1998 - A1:2003+A2:2008 TH3 - ADEMHALINGSBESCHERMINGSAPPARAAT - AANGEDREVEN FILTERAPPARAAT, OPGENOMEN IN EEN SERIE VAN LASHELMEN - KLASSE TH3 P R SL

VERTALING VAN DE GEBRUIKERSINSTRUCTIE

Producenten forbeholder sig ret til til enhver tid og uden forudgående varsel at foretage de ændringer og tillæg til denne brugsanvisning, som måtte blive nødvendige på grund af trykfejl, unøjagtigheder eller produktforbedringer. Sådanne ændringer vil dog blive indarbejdet i efterfølgende udgaver af brugsanvisningen.

Vores seneste produktokumenter samt alle kontaktoplysninger for **voestalpine Böhler Welding** kan findes på vores websted på følgende adresse: www.voestalpine.com/welding.

BELANGRIJK!

Lees en begriip deze gebruikershandleiding volledig voordat u de apparatuur gebruikt.
De gebruikershandleiding moet worden bewaard voor toekomstig gebruik.

VERPLICHTE INFORMATIE VOOR HET GEBRUIK VAN EEN ELEKTRISCH LUCHTZUIVEREND ADEMHALINGSTOESTEL MET LASHELMEN

Het is absoluut noodzakelijk dat deze gebruikersinstructies strikt worden gevolgd bij gebruik/bediening van een PAPR-systeem (powered air purifying respirator, elektrisch luchtzuiverend ademhalingsstoestel). Als u deze instructies niet opvolgt, is mogelijk de garantiebescherming die u wordt aangeboden of beschikbaar is voor het product/de producten, niet langer geldig. Raadpleeg uw koopcontractvoorwaarden met betrekking tot het product/de producten voor de specifieke details van een dergelijke garantiedekking.

De producten zijn ontworpen om uw gezondheid en welzijn te beschermen. Het niet naleven van deze gebruikersinstructies kan een negatieve invloed hebben op uw gezondheid/welzijn.

Lees deze gebruikersinstructies zorgvuldig door, voordat u uw product(en) uitpakt.

Er worden geen aanbevelingen gedaan met betrekking tot de geschiktheid van dit product voor uw behoeften. Als u vragen heeft over de geschiktheid van dit product voor uw taak, moet u contact opnemen met een bedrijfsarts.

Adrescontactinformatie wordt afgedrukt op pagina 2.

INHOUD

1. Inleiding
2. Toepassingsmogelijkheden
3. Keurmerken
4. Randvoorwaarden voor gebruik
5. Systeemoverzicht
6. Uitpakken/monteren
7. Voor gebruik
8. Gebruik
9. Onderhoud/reiniging
10. Foutopsporing
11. Opslag en transport
12. Lijst van gecertificeerde helmsystemen
13. Lijst met onderdelen en montagetekening
14. Technische gegevens
15. Garantie

1. INLEIDING

Guardian Air is een ademhalingsbeschermingssysteem dat is gebaseerd op circulerende overdruk in de helm. De op de riem gemonteerde blaas-unit levert lucht door een filter en via een luchtslang in een helm. De toevoer van gefilterde lucht creëert een positieve druk in de helm, die voorkomt dat de externe verontreinigde lucht de ademzone van de gebruiker binnendringt.

2. TOEPASSINGSMOGELIJKHEDEN

Het PAPR-systeem is geschikt voor alle toepassingen waarbij EN12941-certificering acceptabel is. Het apparaat is niet geschikt voor laswerkzaamheden in besloten ruimtes. (Zie 4. Randvoorwaarden voor gebruik)

3. KEURMERKEN

Guardian Air is ontworpen en vervaardigd om te voldoen aan EN12941:1998 - A1:2003+A2:2008 als een TH3 P R SL-apparaat.

BS4275 (Handleiding voor het implementeren van een effectief programma voor ademhalingsbeschermingsmiddelen), dat de gebruiker wordt aangeraden te lezen, verleent een EN12941 TH3 P R SL-apparaat met een nominale beschermingsfactor van 500.

Het PAPR-systeem kan dit beschermingsniveau alleen bieden wanneer het wordt gebruikt met filters die zijn geleverd door de fabrikant met de aanduidingen 'Böhler' en 'EN12941:1998 TH3 P R SL'.

Lashelmen zijn gecertificeerd volgens EN 175B

De PAPR-systemen worden vervaardigd onder ISO 9001:2000-kwaliteitssysteem.

4. RANDVOORWAARDEN VOOR GEBRUIK

Guardian Air moet strikt in overeenstemming met deze gebruikershandleiding en de instructies van de bijbehorende helm worden gebruikt.

De gebruiker moet de volgende 'Gebruikersinstructies' goed lezen en begrijpen om de ademhalingsbescherming correct te kunnen gebruiken. Eventuele vragen moeten worden gericht aan het contactadres van de fabrikant op pagina 2.

Wanneer de PAPR is uitgeschakeld, is weinig of geen ademhalingsbescherming te verwachten. Wanneer het PAPR-systeem is uitgeschakeld, kan een snelle ophoping van koolstofdioxide en zuurstofafname in de helm optreden en daarom **is het van essentieel belang dat de blaas-unit niet wordt gebruikt als deze is uitgeschakeld.**

GUARDIAN AIR MAG NIET WORDEN GEBRUIKT:

- » In een direct gevaarlijke atmosfeer voor de hygiëne of gezondheid van de gebruiker en/of met een zuurstofgehalte van minder dan 19,5% of met onbekende stoffen.
- » In besloten of ongeventileerde ruimtes zoals tanks, leidingen, kanalen, enz.
- » Dichtbij vlammen en/of vonken
- » In gebieden met explosiegevaar.
- » In een gebied met harde wind.
- » Als de blaas-unit om welke reden dan ook niet meer werkt, moet de gebruiker het besmette gebied onmiddellijk verlaten.

HET IS OOK VAN ESSENTIEEL BELANG DAT:

- » Niets de bewegende delen raakt.
- » Geen pogingen worden gedaan om het PAPR-systeem of de filter op enigerlei wijze aan te passen of te wijzigen.
- » Geen water of andere vloeistoffen op enigerlei wijze het apparaat binnenkomen - met name de motor en ventilator, de filter of batterij.

Zorg ervoor dat de helm perfect aansluit op het gezicht van de gebruiker. Alleen dan is het systeem voldoende efficiënt. De beschermende eigenschappen van het complete systeem worden beperkt als de afdichting van de helm niet goed is aangebracht, bijvoorbeeld als een baard of lang haar tussen de afdichting komt.

Het is mogelijk dat de slang naar de helm tijdens gebruik vast komt te zitten. Het PAPR-systeem moet zodanig op de persoon worden geplaatst dat deze mogelijkheid wordt beperkt.

De filters kunnen niet rechtstreeks op de helm worden aangebracht en mogen niet worden aangepast.

Er is geen correcte ademhalingsbescherming mogelijk als onderdelen van de apparatuur op enigerlei wijze worden gewijzigd.

Bij zeer hoge werksnelheden kan bij piekinademing de druk in het PAPR-systeem negatief worden. In geval van twijfel moet de gebruiker de plaatselijke gezondheidszorg- en veiligheidsfunctionaris raadplegen voor een persoonlijke en aanvaardbare risicobeoordeling.

De PAPR-systemen mogen alleen worden gebruikt door competent en opgeleid personeel.

LET OP!

Als een van deze voorwaarden niet wordt nageleefd of gevolgd, is de garantie automatisch ongeldig.

DEGEBRUIKER WORDT GEAADVISEERD OM HET BESMETTE GEBIED ONMIDDELIJK TE VERLATEN ALS:

- » De MMDF-waarschuwing (Minimum Design Flow) van de fabrikant afgaat
- » Het ademen moeilijk wordt
- » Duizeligheid of angst optreedt
- » Een deel van het systeem beschadigd raakt
- » De luchtstroom in de helm afneemt of stopt
- » Verontreiniging in de helm kan worden geroken of geproefd
- » Het is niet bekend of materialen die in contact komen met de huid van de gebruiker allergische reacties kunnen veroorzaken. In het onwaarschijnlijke geval van een reactie, moet de gebruiker echter het besmette gebied onmiddellijk verlaten, de apparatuur verwijderen en medisch advies inwinnen.

5. SYSTEEMOVERZICHT

Guardian Air is een op een riem gemonteerd elektrisch ademhalingsapparaat met een vervangbaar, wegwerpbaar deeltjesfiltersysteem met hoog rendement. Het systeem is gecertificeerd voor helmen voor een hoofdomtrek van 535 tot 600 mm. Deze komen in hoofdstuk 10 aan de orde.

Het PAPR-systeem bevat een verwijderbare oplaadbare batterij van 8 uur. (8 uur in een schone omgeving. Op een werkplaats kan de tijd aanzienlijk worden verkort, afhankelijk van de deeltjesniveau's in de atmosfeer)

Guardian Air waarschuwt de gebruiker met een hoorbaar alarm en knipperende led-lampjes als de MMDF van 170 liter/min niet wordt bereikt.

Wanneer het alarm afgaat, moet de gebruiker onmiddellijk het werkgebied verlaten en zich naar een veilig gebied begeven. Het PAPR-systeem heeft een visueel alarm die afgaat als de batterij bijna leeg is en een meervoudig alarm - hoorbaar en visueel voor een geblokeerde filter. Afhankelijk van de fout moet de gebruiker de filter vervangen door een nieuwe (in zeer stoffige omgevingen moet de filter regelmatig worden vervangen) en/of de batterij opnieuw opladen of vervangen door een volledig opgeladen exemplaar. Alleen wanneer het PAPR-systeem functioneert terwijl het alarm is uitgeschakeld en de stroomsnelheid als acceptabel is getest, mag de gebruiker terugkeren naar de werkplek.

De filter is speciaal voor dit apparaat ontwikkeld. Hij wordt gebruikt om de lucht te filteren die de gebruiker inademt. Het is van essentieel belang dat de gebruiker de filter controleert op tekenen van beschadiging of vervorming die mogelijk verontreinigde lucht in het systeem kunnen toelaten. De filter moet worden weggegooid als hij is beschadigd of verstopt tot het punt waarop het alarmsysteem van het systeem wordt geactiveerd.

De verwijderbare oplaadbare batterij is een Li-Ioncel. De batterij kan bij levering licht geladen zijn. Het PAPR-systeem moet leeg zijn en vervolgens gedurende zestien uur worden opgeladen vóór het eerste gebruik.

6. UITPAKKEN/MONTEREN

6.1. Uitpakken

Controleer of de verpakking compleet is en dat geen enkel onderdeel is beschadigd door het transport of om andere redenen.

Een pakket met het complete PAPR-systeem inclusief accessoires bevat:

- » Guardian Air, incl. batterij en P R SL-filter en voorfilter
- » Riem
- » Luchtslang
- » Luchtstroomindicator
- » Batterijlader
- » Gebruikershandleiding

6.2. Montage

Bevestig de blaas-unit op de riem: Steek de binnenste riem door de achterkant van de ventilatorlussen. Ga door de riemlussen en vervolgens door de gesp. (Afb. 1/pag. 4)

Plaats de batterij op de blaas-unit. (Afb. 3/pag. 4)

6.2.1. Aanpassing van taille-riem:

Doe de riem om uw middel met het PAPR-systeem naar achteren en bevestig de twee uiteinden aan elkaar.

Als de riem te los is, schuift u de mannelijke regelaar langs de riem naar de vrouwelijke helft. Als de riem te strak is. Schuif de mannelijke regelaar weg van de vrouwelijke helft.

Herhaal de bovenstaande handeling totdat een comfortabele en veilige pasvorm is bereikt. Zodra de riem goed past, haalt u overtollig riemmateriaal door de riemlussen. (Afb. 5/pag. 4)

6.2.2. Deeltjesfilter

Gebruik alleen filters met een Böhler-markering, zoals geleverd door voestalpine Böhler Welding. Het gebruik van andere filters leidt tot het vervallen van de garantie en/of tot een ernstig risico voor de gezondheid van de gebruiker van het product.

Laat eerst door een bedrijfsarts of de technische hulplijn van de fabrikant vaststellen of de Böhler-filter al dan niet een geschikte risicobescherming biedt.

Guardian Air is uitgerust met een zeer efficiënte deeltjesfilter met een P R SL-classificatie.

Zodra het waarschuwingssignaal klinkt, moet de voorfilter worden vervangen of gecontroleerd. Dit kan in zeer stoffige gebieden vaker nodig zijn.

De filters moeten regelmatig worden gecontroleerd (zie 7.2. Luchtstroomtest) en worden vervangen. De filters moeten worden vervangen en mogen niet worden schoongemaakt/hergebruikt.

Zorg ervoor dat de nieuwe filters binnen hun vervaldatum, ongebruikt en niet duidelijk beschadigd zijn. Vanuit hygiënisch oogpunt is de maximale werktijd van een hoofdfilter twee weken of 90 uur, indien deze groter is en mag niet worden overschreden.

WAARSCHUWING!

Het is van essentieel belang dat de gebruiker de markeringen op de filter die betrekking hebben op een andere norm dan EN12941 1998 -A1:2003+A2:2008 niet verwarren met de classificatie van het apparaat waarvoor deze filter wordt gebruikt.

6.2.3. Filters verwijderen en nieuwe plaatsen

Open het filterdeksel door het deksel aan de rechterkant van de blazer naar buiten te trekken. (Afb. 6 / pag. 4)

ATTENTIE! Het is ten strengste verboden gereedschap te gebruiken om het filterdeksel te openen.

Om het filter te verwijderen, trekt u het uit het apparaat. Maak het apparaat stofvrij en zorg ervoor dat er geen stof in de luchtinlaat terechtkomt.

Plaats het nieuwe filter terug op zijn plaats. (Afb. 7 / pag. 4) Duw het voorzichtig naar binnen totdat het goed op de behuizing van het apparaat past.

Sluit het filterdeksel. Let goed op, het filterdeksel klikt vast als het goed gesloten is. Probeer de blazer niet te gebruiken zonder dat het deksel correct is aangebracht.

6.2.4. De voorfilter vervangen (Afb. 7/pag. 4)

The pre-filter is a sleeve which is fitted over the main filter. To remove / replace simply pull off the old filter and stretch the new one into position. It is important to ensure that the filter media of the main filter is completely covered by the pre filter.

6.2.5. De slang aan het PAPR-systeem bevestigen:

Lijn de pennen van de slangbajonetaansluiting uit met de gleuven in de luchtuitlaat van het PAPR-systeem. Duw de bajonetaansluiting in de ventilator totdat deze de bodem van het gat bereikt en draai vervolgens met de klok mee totdat de paspennen op hun plaats klikken.

Breng de slang op dezelfde manier aan op de helm.

6.2.6. De Böhler Guardian Air-helmen opzetten:

1. Stel de grijper van de lashelm in en pas de lasfilter aan. (Zie de gebruikersinstructies van de helm)
2. Til de helm op naar de bovenste positie.
3. Plaats over het hoofd en stel het palwiel van het hoofdstuk af door het in te drukken en te draaien totdat het voldoende strak zit.
4. Trek de elastische kinbescherming naar beneden en tegelijkertijd de helm naar beneden. Zorg ervoor dat de elastische kinbescherming comfortabel onder de kin past.
5. De lashelm is nu klaar voor gebruik.

7. VOOR GEBRUIK

7.1 Inspectie voor gebruik:

Controleer elke keer voordat u begint met werken het volgende:

- » Alle componenten zijn in goede staat zonder zichtbare schade (zoals gaten, scheuren, enz.). Vervang beschadigde of versleten onderdelen. Onderzoek de luchtslang, afdichtingen en het gelaaitsstuk zorgvuldig.
- » Er is een goede verbinding tussen de luchtslang, de helm en het PAPR-systeem.
- » Er is voldoende luchtstroom. (zie 7.2. Luchtstroomtest)
- » De lucht wordt door het hele PAPR-systeem gevoerd, van de blaas-unit tot de helm.
- » Laad de batterij op voor het eerste gebruik en controleer of de batterij voor elk volgend gebruik voldoende is opgeladen. (zie 7.3. Batterijen).
- » Controleer of de alarmen correct werken (zie 8. Gebruik)

7.2. Luchtstroomtest: (Afb. 4/pag. 4)

1. Koppel de luchtslang los van de blaas-unit.
2. Steek de luchtstroomindicator in de luchtslangaansluiting en houd de slang in verticale positie op ongeveer ooghoogte.
3. Schakel de voeding in. De luchtstroom is pas voldoende als de balindicator de minimale stroomsnelheid heeft bereikt. Als de indicator onder de minimale stroomsnelheid komt, is het noodzakelijk om de batterij op te laden of de filter te vervangen. Als het probleem zich blijft voordoen, raadpleegt u hoofdstuk 10 voor aanvullende suggesties.

7.3. Batterijen

OPMERKING! Batterijen worden slechts gedeeltelijk opgeladen geleverd. Alle batterijen moeten worden opgeladen voordat

ze voor het eerst worden gebruikt. De batterij kan afzonderlijk of op de blaas-unit worden opgeladen.

WAARSCHUWING

Het is absoluut noodzakelijk dat de batterijlader die wordt gebruikt om het product/de producten op te laden, degene is die u werd geleverd op het moment van ontvangst van het product/de producten en een door de fabrikant goedgekeurde batterijlader is. Het gebruik van een andere batterijlader leidt tot het vervallen van de garantie en/of tot een ernstig risico op brand of explosie en het risico voor de gezondheid van de gebruiker van het product.

De lader mag niet voor een ander doel worden gebruikt dan waarvoor hij is vervaardigd. Laad de batterij niet op in een mogelijk explosieve atmosfeer. De batterijlader is bedoeld voor gebruik binnenshuis. Hij moet worden beschermd tegen vocht. De lader regelt automatisch het opladen. Als de batterij is opgeladen, schakelt de lader over op druppellading en blijft de batterij volledig opgeladen. De oplaadtijd is 4 tot 6 uur.

7.3.1. Batterij opladen

WAARSCHUWING

1. Controleer of de spanning van de elektrische voeding correct is.
2. **Controleer of de batterijlader die wordt gebruikt om het product/de producten op te laden, degene is die u werd geleverd op het moment van ontvangst van het product/de producten en een door de fabrikant goedgekeurde batterijlader is. Het is van essentieel belang dat alleen de meegeleverde lader wordt gebruikt. Als u dit niet doet, kan dit een ernstig risico op brand of explosie veroorzaken.**
3. Steek de lader in het stopcontact. Direct in de blaas-unit wanneer de batterij is geplaatst of rechtstreeks in de batterij.
4. Sluit de batterij aan op de lader. De aansluiting van de batterij bevindt zich aan de achterkant.
5. De laadstatus wordt aangegeven door een rood led/diodelampje.
6. Als de batterij is opgeladen, schakelt de lader over op druppellading: - rode led/diodelampje gaat uit, het groene led/diodelampje gaat branden op het moment van druppelladen.
7. Koppel de lader los van de voeding.

Laat de batterijlader niet in de voeding als deze niet wordt gebruikt!

7.3.2. Batterij vervangen

De batterij verwijderen:

Zoek de batterijvergrendeling. Trek de batterijvergrendeling naar achteren en verwijder tegelijkertijd de batterij door deze omhoog te tillen.

De batterij plaatsen:

Zorg ervoor dat de batterij op de juiste manier omhoog staat (zie 6.2) en schuif vervolgens in de blaas-unit totdat de batterijvergrendeling vastklikt. Het is van essentieel belang dat de batterijvergrendeling volledig is vergrendeld. (Afb. 3/pag. 4)

8. GEBRUIK

Schakel de blaas-unit in door op de AAN/UIT-knop op het bedieningspaneel te drukken. De luchtstroom kan worden aangepast door op de + - knoppen te drukken van 180 liter/

min. tot 220 liter/min. in zes snelheden. De groene led/diode-lampen tonen het actuele luchtstroomniveau. Let op dat het voor elke druk op de knoppen nodig is om de knop twee seconden ingedrukt te houden om de actie te laten plaatsvinden. Dit voorkomt onbedoelde wijzigingen. (Afb. 2/pag. 4)

Guardian Air zorgt voor een constante luchttoevoer. De microprocessor in het apparaat regelt automatisch de motorsnelheid om filterverstopping en batterijstatus te compenseren. Als de microprocessor de aangepaste luchtstroom niet kan houden, laat het apparaat een piepend alarm horen (een akoestisch signaal wordt hoorbaar), waarna de gebruiker het PAPR-systeem moet controleren. De microprocessor verlaagt indien dat mogelijk is, automatisch de luchtstroom naar het volgende lagere niveau. Als het lagere niveau niet wordt bereikt, blijft het alarm aangaan. Wanneer de luchtstroom onder het minimale veilige bedrijfsniveau zakt, gaat een tweede hoorbaar alarm af. Op dit punt moet de gebruiker onmiddellijk stoppen met werken, de werkplek verlaten, zich naar een veilig aangegeven gebied begeven en de filter vervangen of de batterij opladen/vervangen.

Om de alarmen te controleren, is het noodzakelijk om de luchtuitlaat met de hand of op een andere geschikte manier te blokkeren. Wanneer het PAPR-systeem is ingeschakeld, probeert de motor te compenseren door de snelheid te verhogen totdat de microprocessor het alarm laat horen zoals hierboven beschreven.

Om de batterij te controleren: Wanneer u het apparaat voor het eerst opstart, knippen de batterij-ledlampjes rood op het bedieningspaneel en gaan vervolgens uit. Als het lampje blijft branden, geeft dit aan dat de batterij bijna leeg is en moet worden opgeladen. Het wordt aanbevolen om bij het starten van een ploegendienst alleen een volledig opgeladen batterij te gebruiken.

Met een volledig opgeladen batterij functioneert het apparaat normaal, maar als het hoorbare alarm blijft afgaan, moet de gebruiker de filter vervangen. Als het probleem zich blijft voordoen, raadpleegt u hoofdstuk 10 voor aanvullende suggesties.

9. ONDERHOUD/REINIGING

De blaas-unit, filterbehuizing en helm moeten allemaal regelmatig worden schoongemaakt om ze in goede staat te houden. Voor individuele gebruikers kunnen de apparaten met een vochtige doek met zeep worden gereinigd.

Als ze door meerdere gebruikers worden gebruikt, moeten de apparaten worden gedesinfecteerd wanneer ze van de ene gebruiker naar de andere worden doorgegeven.

Er mogen geen vloeistoffen in het PAPR-systeem komen of het filterelement binnendringen.

De onderdelen moeten aan de lucht kunnen drogen. In geen geval mogen oplosmiddelen of schurende reinigingsmiddelen worden gebruikt. Het apparaat mag niet worden gedroogd met hete lucht of door middel van stralingswarmte.

Het PAPR-systeem moet gedurende twee tot drie jaar bescherming blijven bieden aan de ontworpen specificaties, indien onderhouden in overeenstemming met deze instructies. Vóór elk gebruik moet de gebruiker controleren of het PAPR-systeem vrij is van defecten, zoals scheuren, gespleten filters en slangen, gebarsten vizieren en helmcomponenten.

10. FOUTOPSPORING

Als er tijdens het gebruik van het systeem een plotselinge verandering van de luchttoevoer optreedt, moet u het volgende controleren:

- » Dat alle onderdelen van het luchttoevoersysteem correct zijn gemonteerd.
- » De batterij en de connector
- » Of de batterij niet defect is of niet goed werkt
- » Filters en verstoppingen
- » Dat er geen gat in de luchtslang zit.
- » Of de helmafdichting niet is beschadigd.
- » Of de werktijd na volledig opladen van de batterij niet is afgenomen (zo ja, moet de batterij worden vervangen).

| FOUT | WAARSCHIJNLIJKE OORZAAK | AANBEVELING |
|--|--|--|
| Het PAPR-systeem werkt helemaal niet | <ul style="list-style-type: none"> » Geheel lege batterij (controleer of de blaas-unit met een andere opgeladen batterij werkt) » Defecte motor, printplaat of connector | <ul style="list-style-type: none"> » Laad de batterij op (controleer de batterij als het probleem zich blijft voordoen) » Neem contact op met uw leverancier. |
| Lage luchtstroom | <ul style="list-style-type: none"> » Geblokkeerde luchtslang of luchtkanaal » Lekkage » Batterij is niet voldoende opgeladen » Geblokkeerde filter of voorfilter | <ul style="list-style-type: none"> » Controleer en verwijder de blokkade. Controleer alle afdichtingen, connectoren en de luchtslang. Zorg ervoor dat er geen lucht door gaten of scheuren kan lekken. » Laad de batterij op (controleer de batterij als het probleem zich blijft voordoen) » Vervang de voorfilter. Vervangt de hoofdfilter als het probleem zich blijft voordoen. |
| Korte bedrijfstijd | <ul style="list-style-type: none"> » Verstopte filter » Batterij is niet correct opgeladen | <ul style="list-style-type: none"> » Vervang de filters » Laad de batterij op. (controleer de batterij als het probleem zich blijft voordoen) |
| Batterij kan niet worden geladen | <ul style="list-style-type: none"> » Batterijcontact is beschadigd » Lader is defect | <ul style="list-style-type: none"> » Controleer het batterijcontact. » Neem contact op met uw leverancier |
| Batterij kan niet voldoende worden geladen | <ul style="list-style-type: none"> » Batterij is versleten | <ul style="list-style-type: none"> » Installeer een nieuwe batterij. |

11. OPSLAG EN TRANSPORT

Wanneer de blaas-unit en kopunits niet in gebruik zijn of in transport zijn, moeten ze worden opgeslagen in de container waarin ze werden geleverd, of een andere soortgelijke container, zodat deze niet in direct zonlicht staat, niet in contact komt met oplosmiddelen en niet kan worden beschadigd door fysiek contact met harde oppervlakken/items. Niet bewaren buiten het temperatuurbereik van +0°C tot +40°C of bij een luchtvochtigheid boven 75% RV.

12. GECERTIFICEERDE HELMSYSTEMEN (pag. 5)

- 13 - Guardian 50M Air - 86669
- 13 - Guardian 50FM Air - 86682
- 13 - Guardian 62 Air - 57007
- 13 - Guardian 62F Air - 57029
- 14 - Big Vision Air - 73314

13. LIJST MET ONDERDELEN EN MONTAGETEKENING (pag. 5)

- 1 - Guardian Air (complete blazerset) - 86692
- 2 - motorunit - 86668
- 3 - P R SL-deeltjesfilter (4 stuks) - 86645
- 4 - voorfilter (10 stuks) - 86655
- 5 - vonkbeschermer - 86704
- 6 - filterdeksel - 86657
- 7 - standaard batterij (7,800 mAh) - 86660
- 7 - zware batterij (7,800 mAh) - 57075
- 8 - universele lader - 57081
- 9 - flexibele luchtslang incl. luchtslangbescherming - 57065
- 10 - comfortriem - 57144
- 11 - schoudergordel - 57146
- 12 - luchtstroomtester - 57184
- 15 - gezichtsafdichting helm - 57182
- 16 - Böhler-tas (blauw) - 57186
- 16 - Böhler-tas (zwart) - 86702

14. TECHNISCHE GEGEVENS

Guardian Air is een lichtgewicht en eenvoudig te hanteren PAPR-systeem. Het is uitgerust met een vervangbare deeltjesfilter. Het systeem biedt een betrouwbare bescherming tegen deeltjes en aerosolen.

- » Luchtstroom: 180 tot 220 liter/min. met een minimale stroomsnelheid van 170 liter/min voordat het alarm afgaat.
- » Gewicht met filter en batterij: 870 gram
- » Bedrijfstemperatuur tussen 0 °C en +40 °C
- » Type filter: P R SL
- » Type batterij: Vervangbare en oplaadbare Li-Ion 7,4 V / 5.200 mAh
- » Laadcycli >350 r
- » Visueel alarm voor lage batterijspanning
- » Visuele en hoorbare alarmen voor onvoldoende stroomsnelheid (minder dan 170 liter/min)
- » Nominale beschermingsfactor (Nominal Protection Factor = NPF) 500
- » Geluidsniveau: 65 dB
- » Gebruiksduur langer dan 8 uur op minimale stroomsnelheid met een nieuwe filter en volledig opgeladen batterij in een schone omgeving. (6 uur op maximale stroomsnelheid.). Bij feitelijk gebruik kunnen bedrijfstijden aanzienlijk worden verkort, afhankelijk van de mate van verontreiniging in de omgeving
- » Opmerking! De bedrijfstijd kan worden verkort in geval van een verstopte filter en onvoldoende geladen batterij

Certificering EN 12941:1998+A1:2003+A2:2008

Ge certificeerd door: APAVE SUDEUROPE SAS Notified Body 0082
13322 MARSEILLE
CEDEX 16
Frankrijk

Dit PBM-apparaat voldoet aan de volgende toepasselijke EU-normen:



EN 12941:1998+A1:2003+A2:2008
EN166B:2001
EN379:2003 +A1:2009 EN175B

Symbolen:

Raadpleeg de gebruikershandleiding van de fabrikant:



Bewaren tussen 0-40 °C (graden Celcius)



Bewaren tot:



Maximale opslag Vochtigheid <75%:



Filtersymbolen:

R = dit betekent dat de filter herbruikbaar is voor meer dan één ploegendienst

S = betekent dat de filter beschermt tegen vaste deeltjes.

L = betekent dat de filter beschermt tegen vloeibare deeltjes.

15. GARANTIE

De Guardian Air heeft een garantie van 12 maanden vanaf de datum van aankoop in geval van mechanische of elektrische defecten.

De Böhler-batterij heeft een garantie van 12 maanden vanaf de productiedatum.

voestalpine Böhler Welding verbindt zich ertoe om elk onderdeel dat binnen deze periode defect is, kosteloos te vervangen of te repareren. Als alternatief en naar eigen goeddunken kan voestalpine Böhler Welding onderdelen vervangen.

Deze garantie is onderworpen aan het volgende:

Guardian Air is uitsluitend gebruikt voor het beoogde doel. Guardian Air is niet blootgesteld aan wangebruik, ongevallen, wijzigingen of reparaties.

N.B. Neem in geval van een claim contact op met de winkel waar Guardian Air is gekocht.

Deze garantie dekt geen normale slijtage.

Deze garantie heeft geen invloed op uw wettelijke rechten.

Guardian Air

BRUKERHÅNDBOK FOR PAPR-SYSTEMER

Godkjent i henhold til BS EN 12941 : 1998 - A1:2003+A2:2008 TH3 - ÅNDEDRETTSVERN - STRØMDREVET FILTERENHET, MONTERT I EN SERIE MED SVEISEHJELMER - KLASSE TH3 P R SL

OVERSETTELSE AV BRUKERVEILEDNINGEN

Produsenten forbeholder seg retten til, når som helst og uten forvarsel, å foreta slike endringer og endringer i disse brukerinstruksjoner som blir nødvendig på grunn av feiltrykk, unøyaktigheter eller produktforbedringer. Slike endringer vil imidlertid bli tatt med i etterfølgende utgaver av bruksanvisningen.

Våre nyeste produkt dokumenter samt alle kontaktdetaljer for **voestalpine Böhler Welding** finner du på vår nettside på: www.voestalpine.com/welding.

VIKTIG!

Denne brukerhåndboken må leses og forstås fullt ut før utstyret tas i bruk.
Brukerhåndboken må oppbevares for fremtidig referanse.

OBLIGATORISK INFORMASJON OM BRUKEN AV ET STRØMDREVET LUFTRENSENDE ÅNDEDRETTSVERN SAMMEN MED SVEISEHJELMER

Det er av avgjørende betydning at disse brukerinstruksjonene følges nøye ved bruk av et PAPR-system (strømdrevet luftrensende åndedrettsvern). Unnlattelse av å følge disse instruksjonene kan eventuelle garantier som er tilbudt eller tilgjengelig for deg i tilknytning til produktet. Se vilkår og betingelser i kjøpskontrakten for produktet, for spesifikk informasjon om sådan garantidekning.

Produktet er laget for å beskytte din helse og ditt velvære. Unnlattelse av å følge disse brukerinstruksjonene kan også føre til negativ innvirkning på helse og velvære.

Les nøye gjennom brukerinstruksjonene før du pakker ut produktet.

Det gis ingen anbefalinger med hensyn til produktets egnethet for dine behov. Hvis du har spørsmål om egnetheten av dette produktet med hensyn til arbeidet ditt, kan du ta kontakt med en yrkeshygieniker.

Kontaktinformasjon er oppgitt på side 2.

INNHOLD

1. Innledning
2. Bruksområde
3. Godkjenninger
4. Forutsetninger for bruk
5. Systemoversikt
6. Utpakking/montering
7. Før bruk
8. Bruk
9. Vedlikehold/rengjøring
10. Feilsøking
11. Oppbevaring og transport
12. Liste over sertifiserte hjelmsystemer
13. Liste over deler og tegning
14. Tekniske data
15. Garanti

1. INNLEDNING

Guardian Air er et åndedrettsvern som er basert på prinsippet om sirkulerende overtrykksluft i hjelmen. Blåserenheten som festes i beltet leverer luft gjennom et filter og via en luftslange inn i hjelmen. Tilførselen av den filtrerte luften danner et positivt trykk inne i hjelmen, noe som forhindrer at den forurensete omgivende luften pustes inn av brukeren.

2. BRUKSOMRÅDE

PAPR-systemet er egnet for alle bruksområder der EN12941-sertifiseringen er akseptabel. Enheten er ikke egnet for sveising i trange rom. (Se 4. Forutsetninger for bruk)

3. GODKJENNINGER

Guardian Air er designet og produsert i samsvar med EN12941: 1998 - A1:2003+A2:2008 som en TH3 P R SL-enhet.

BS4275 (Veiledning til implementering av et program for effektivt åndedrettsvern), som brukeren anbefales å lese, definerer en EN12941 TH3 P R SL-enhet som gir en nominell beskyttelsesfaktor på 500.

PAPR-systemet kan bare yte denne graden av beskyttelse når det brukes med filtre som er levert av produsenten, merket med "Böhler" og "EN12941:1998 TH3P R SL".

Sveisehjelm er sertifisert i henhold til EN 175B.

PAPR-systemer er produsert under kvalitetssystemet ISO 9001:2000.

4. FORUTSETNINGER FOR BRUK

Guardian Air må kun brukes i samsvar med denne brukerhåndboken og instruksjonene som kommer med den korresponderende hjelmen.

Brukeren må lese og gjøre seg forstått med alle følgende "Instruksjoner for bruk", for å kunne være i stand til å bruke beskyttelsessystemet korrekt. Eventuelle spørsmål kan rettes til produsenten med kontaktinformasjonen på side 2.

Når PAPR-systemet er avslått, kan det forventes liten eller ingen beskyttelse. Når PAPR-systemet slås av kan det oppstå en hurtig oppbygging av karbondioksid og tap av oksygen inne i hjelmen, så **det er ytterst viktig å ikke bruke blåserenheten når systemet er avslått.**

GUARDIAN AIR MÅ IKKE BRUKES:

- » I en atmosfære som er umiddelbar farlig for brukerens helse og helse og/eller med et oksygeninnhold på mindre enn 19,5 % eller som inneholder ukjente stoffer.
- » I trange rom eller på uventilerte steder som i tanker, rør, kanaler, etc.
- » I nærheten av flammer og/eller gnister.
- » På steder med eksplosjonsfare.
- » På steder med sterk vind.
- » Hvis blåserenheten stopper å gå av en eller annen grunn, må brukeren umiddelbart bevege seg bort fra det kontaminerte området.

DET ER OGSÅ VIKTIG AT:

- » Ingenting kommer i kontakt med de bevegelige delene.
- » Det ikke gjøres forsøk på å modifisere eller forandre på PAPR-systemet eller filteret.
- » Vann eller annen væske ikke trenger inn i enheten – spesielt motor, vifte, filter og batteri.

Påse at hjelmen passer godt til brukerens ansikt. Det er bare da systemet virker effektivt nok. Beskyttelsesfaktoren for hele systemet vil bli redusert hvis tetningen på hjelmen ikke sitter som den skal, for eksempel på grunn av skjegg eller langt hår som kommer i mellom tetningslinjen.

Det foreligger en mulighet for at slangen til hjelmen kan hekte seg fast under bruk. PAPR-systemet bør påføres på en slik måte at muligheten for dette reduseres.

Filtere kan ikke monteres direkte på hjelmen, og bør ikke tilpasses for dette.

Hvis noen av delene på utstyret modifiseres på noen måte, vil åndedrettet ikke være tilstrekkelig beskyttet.

Ved tungt arbeid kan trykket i PAPR-systemet bli negativt ved maks innpusting. Ved tvil, bør brukeren konsultere HMS-personell og foreta en risikovurdering.

PAPR-systemer skal kun brukes av kompetent og opplært personell.

MERK!

Hvis noen av disse vilkårene ikke holdes eller følges, ugyldiggjøres garantien automatisk.

DET ANBEFALES AT BRUKEREN UMIDDELBART FORLATER DET KONTAMINERTE OMRÅDET HVIS:

- » MMDF-alarmen går av (produsentens minste dimensjonerende strømningsmengde)
- » Det blir vanskelig å puste
- » Du opplever svimmelhet eller ubehag
- » En del av systemet blir skadet
- » Luftstrømmen inn i hjelmen synker eller stopper
- » Du kan lukte eller smake kontaminert stoff inne i hjelmen
- » Materialer som kan komme i kontakt med brukerens hud er ikke kjent for å skape allergiske reaksjoner hos folk flest, men dersom det skulle oppstå en reaksjon må brukeren umiddelbart bevege seg bort fra det forurensede området, ta av enheten og oppsøke legehjelp.

5. SYSTEMOVERSIKT

Guardian Air er et strømdrevet åndedrettsvern som festes til beltet, med et utskiftbart høyeffektivt partikkelfiltersystem for engangsbruk. Systemet er sertifisert med hjelmene som er oppgitt i kapittel 10, og de dekker hodestørrelser med en omkrets på 535 til 600 mm.

PAPR-systemet har en avtagbar og oppladbar batteripakke som varer i 8 timer. (8 timer i et rent miljø – på et verksted kan tiden bli vesentlig redusert avhengig av partikkelnivået i atmosfæren.)

Guardian Air vil varsle brukeren når MMDF på 170 l/min ikke kan oppnås, med lydalarm og blinkende LED-lamper. Når alarmen avgis under bruk, må brukeren umiddelbart forlate arbeidsområdet og gå til et trygt sted. PAPR-systemet har en visuell alarm for lavt batteri og en lydalarm/visuell alarm for blokkert filter. Avhengig av feilen, bør brukeren skifte ut filteret med et nytt (i svært støvete miljøer må filteret skiftes ofte) og/eller lade batteriet eller bytte det ut med et fullt oppladet batteri. Brukeren må bare gå tilbake til arbeidsområdet når PAPR-systemet fungerer med alarmen av, og strømmingsstabiliteten har blitt testet til et akseptabelt nivå.

Filteret et spesielt utviklet for denne enheten. Det brukes til å filtrere luften som brukeren puster inn. Det er ytterst viktig at brukeren sjekker filteret for tegn til skade eller deformasjon, som potensielt kan føre til at forurenset luft slipper inn i systemet. Filteret må avhendes hvis det er skadet eller tilstoppet i en slik grad at alarmen i systemet utløses.

Det avtagbare oppladbare batteriet har en Li-ion-celle. Ved levering kan batteriet ha et lavt ladenivå. PAPR-systemet bør kjøres til batteriet er tomt, og deretter lades i 16 timer før førstegangs bruk.

6. UTPAKKING/MONTERING

6.1. Utpakking

Sjekk at pakken er hel og at ingen deler av den er skadet under transport eller av andre årsaker.

En pakke med det komplette PAPR-systemet med tilbehør inneholder:

- » Guardian Air inkl. batteri og P R SL-filte og forfilter
- » Belte
- » Luftslange
- » Luftstrømningsindikator
- » Batterilader
- » Brukerhåndbok

6.2. Montering

Feste blåserenheten til beltet: Før innerstroppen gjennom baksiden av blåserhempene Før gjennom beltehempene og deretter gjennom beltespennene. (Fig. 1 / s. 4)

Fest batteriet til blåserenheten. (Fig. 3 / s. 4)

6.2.1. Justering av beltet til midjen:

Legg beltet rundt midjen med PAPR-systemet bak, og koble sammen de to endene.

Hvis beltet er for løst, kan du trekke justeringsspennene ned beltet, mot den andre halvdel. Hvis beltet er for stramt: Trekk justeringsspennene bort fra den andre halvdel.

Gjenta trinnene over til beltet sitter godt og komfortabelt. Når beltet sitter som det skal, må overskytende beltedeler legges i beltehempene. (Fig. 5 / s. 4)

6.2.2. Partikkelfilter

Bruk bare Böhler-merkede filtre som er levert av Voestalpine Böhler Welding. Bruk av andre filtre vil føre til at garantien ugyldiggjøres og/eller alvorlig risiko overfor helsen til brukeren som bruker produktet.

En yrkeshygieniker eller produsentens kundeservice må først forsikre om at Böhler-merkede filtre vil gi en tilstrekkelig beskyttelse mot foreliggende farer.

Guardian Air er utstyrt med høyeffektive partikkelfiltre i klassen P R SL.

Så snart alarmen avgis, må forfilteret skiftes eller sjekkes. I svært støvete områder kan dette være nødvendig på jevnlig basis.

Filtrene må sjekkes jevnlig (se 7.2 luftstrømningstest) og skiftes. Filtrene er ment å bli skiftet ut, og må ikke rengjøres og brukes på nytt.

Påse at de nye filtrene er innenfor utløpsdato, ubrukte og ikke viser tegn til skader.

Fra et hygienisk synspunkt er maks arbeidstid for et hovedfilter 2 uker eller 90 timer, alt etter hva som er lengst, og må ikke overskrides.

ADVARSEL!

Det er ytterst viktig at brukeren ikke forveksler merkingen på filteret relatert til noen annen standard enn EN12941 1998 -A1:2003+A2:2008 med klassifiseringen på enheten som brukes med filteret.

6.2.3. Fjerning og montering av filter

Åpne filterdekselet ved å trekke dekelet utover fra høyre side av viften. (Fig. 6 / s. 4)

MERK FØLGENDE! Det er strengt forbudt å bruke verktøy for å åpne filterdekselet.

For å fjerne filteret, trekk det ut av enheten. Rengjør enheten for støv og sørg for at det ikke kommer støv inn i luftinntaket.

Sett det nye filteret tilbake på plass. (Fig. 7 / s. 4) Skyv den forsiktig inn til den sitter godt på enhetens kropp.

Lukk filterdekselet. Vær spesielt oppmerksom, filterdekselet klikker på plass når det er ordentlig lukket. Ikke prøv å bruke vifteenheten uten at dekelet er riktig montert.

6.2.4. Skifte forfilter (Fig. 7 / s. 4)

Forfilteret er en hylse som monteres over hovedfilteret. For å fjerne/skifte er det bare å trekke av det gamle filteret og strekke det nye på plass. Det er viktig å sikre at filtermediet til hovedfilteret er fullstendig dekket av forfilteret.

6.2.5. Koble slangen til PAPR-systemet:

Innrett tappene på slangekoplingen med sporene i luftutløpet på PAPR-systemet. Skyv slangekoplingen inn i blåseren til den når bunnen av hullet, og skru den med klokken til tappene klikker på plass.

Tilkobling av slangen til hjelmen gjøres på samme måte.

6.2.6. Ta på seg Böhler Guardian Air-hjelmer:

1. Juster hjelmen og filteret slik at det passer deg. (Se brukerhåndboken for hjelmen)
2. Vipp opp hjelmen til øvre posisjon.
3. Plasser den på hodet og juster hodebøylen med hjulet ved å trykke det inn og skru det til hodebøylen sitter stramt nok.
4. Trekk den elastiske hakebeskyttelsen nedover og trekk samtidig hjelmen ned. Påse at den elastiske hakebeskyttelsen sitter komfortabelt under haken.
5. Sveisehjelmen er nå klar for bruk.

7. FØR BRUK

7.1 Inspeksjon før bruk:

Hver gang før du starter arbeidet, må du sjekke at:

- » Alle komponenter er i god stand og uten synlige skader (hull, slitasje, etc.). Skift ut skadde eller slitte deler. Sjekk nøye luftslangen, tetningene og ansiktsdelen.
- » Det er god forbindelse mellom luftslangen og hjelmen, samt PAPR-systemet.
- » Det er tilstrekkelig luftstrøm. (se 7.2. Test av luftstrøm)
- » Luften tilføres gjennom hele PAPR-systemet, fra blåseren til hjelmen.
- » Lad opp batteriet før førstegangs bruk og sjekk at batteriet har nok kapasitet før hver etterfølgende bruk. (se 7.3. Batterier)
- » **Sjekk at alarmene virker som de skal (se 8. Bruk)**

7.2. Test av luftstrøm: (Fig. 4 / s. 4)

6. Koble luftslangen fra blåserenheten.
7. Sett luftstrømningsindikatoren inn i luftslangekoplingen og hold slangen vertikalt omtrent på nivå ved øynene.
8. Slå på strømforsyningen. Luftstrømmen er bare tilstrekkelig hvis kuleindikatoren når minimum strømningshastighet. Hvis indikatoren synker under minimum strømningshastighet, må du skifte batteri eller filter. Hvis problemet vedvarer, kan du se kapittel 10 for ytterligere forslag.

7.3. Batterier

MERK! Batteriene er kun delvis ladet når de leveres. Alle batterier må lades før de brukes for første gang. Batteriet kan lades separat eller på blåserenheten.

ADVARSEL

Det er obligatorisk at batteriladeren som brukes til å lade produktet er den samme som ble levert sammen med produktet, og at den er godkjent av produsenten. Bruk av en annen batterilader vil føre til at garantien ugyldiggjøres og/eller alvorlig risiko overføres til brukeren som bruker produktet som følge av brann eller eksplosjon.

Laderen må ikke brukes til noe annet formål enn det den er laget for. Ikke lad batteriet i en potensielt eksplosiv atmosfære. Batteriladeren er laget for innendørs bruk. Den må beskyttes mot fuktighet. Laderen styrer ladingen automatisk. Etter at batteriet er ladet, veksler laderen til drypplading og holder batteriet fulladet. Ladetiden er 4 til 6 timer.

7.3.1. Batterilading

ADVARSEL

- Sjekk at spenningen på strømuttaket er korrekt.
- Sjekk at batteriladeren som brukes til å lade produktet er den samme som ble levert sammen med produktet, og at den er godkjent av produsenten. Det er ytterst viktig at bare den medfølgende laderen brukes. Unnlattelse av å overholde dette kan føre til stor risiko for brann eller eksplosjon.**
- Koble laderen til kontakten. Koble enten direkte til blåseren når batteriet er montert, eller direkte til batteriet.
- Koble batteriet til laderen. Kontakten på batteriet er på baksiden.
- Ladestatus indikeres med en rød LED-lampe.
- Etter at ladingen er ferdig, aktiveres drypplading: - Den røde lampen slukkes, og den grønne lampen lyser ved drypplading.
- Koble laderen fra strømforsyningen.

Ikke la batteriladeren være koblet til strøm når den ikke er i bruk!

7.3.2. Skifte batteri

Fjerne batteriet:

Finn frem til batterihaken. Skyv haken bakover og løft samtidig batteriet opp for å fjerne det.

Sette inn batteriet:

Påse at batteriet står riktig vei (som i punkt 6.2) og skyv det inn i blåseren helt til batterihaken klikker på plass. Det er viktig at batterihaken klikker helt på plass. (Fig. 3 / s. 4)

8. BRUK

Slå på blåserenheten ved å trykk på strømknappen på betjeningspanelet. Luftstrømmen kan justeres ved å trykke på +/- fra 180 l/min og opptil 220 l/min i seks hastigheter. Den grønne lampen viser faktisk strømningsnivå. Vær oppmerksom på at for hvert trykk på en knapp, må du holde den inne i 2 sekunder for å aktivere funksjonen. Dette er for å unngå utilsiktede endringer. (Fig. 2 / s. 4)

Guardian Air sikrer en konstant lufttilførsel. Mikroprosessen inne i enheten regulerer automatisk motorhastigheten for å kompensere for tilstopping av filteret og batteristatus. Hvis mikroprosessen ikke kan opprettholde den justerte luftstrømmen, vil enheten avgis en pipende alarm (et lydsignal høres), der brukeren må sjekke PAPR-systemet. Dersom det er mulig, vil mikroprosessen automatisk redusere luftstrømmen til neste lavere nivå. Hvis den ikke kan opprettholde det lavere nivået,

vil alarmen avgis. Når luftstrømmen faller under et minimum sikkert driftsnivå, vil en andre lydalarm avgis sammen med den første. På dette tidspunktet må brukeren stoppe arbeidet umiddelbart, forlate arbeidsområdet og gå til et trygt område, og skifte filteret eller lade/skifte batteriet.

For å sjekke alarmene, må du blokkere luftutløpet med håndflaten eller en annen egnet gjenstand. Deretter, med PAPR-systemet slått på, vil motoren prøve å kompensere ved å øke hastigheten til mikroprosessen avgir alarmen som beskreves over.

Sjekk batteriet: Når enheten startes, vil batterilampen blinke rødt på betjeningspanelet og deretter slukke. Hvis lampen forblir på indikerer det lavt batteri, og batteriet må lades. Det anbefales å bruke et fulladet batteri når et arbeidsskift starter.

Med et fulladet batteri på plass bør enheten fungere som normalt, men hvis lydalarmen fortsatt avgis må brukeren skifte filteret. Hvis problemet vedvarer, kan du se kapittel 10 for ytterligere forslag.

9. VEDLIKEHOLD/RENGJØRING

Blåserenheten, filterhuset og hjelmen må rengjøres regelmessig for å holde dem i god stand for arbeidet.

Enheter som bare brukes av én bruker, kan rengjøres med en klut fuktet med lunken vann og såpe.

Enheter som brukes av flere brukere, bør desinfiseres når enheten skifter bruker.

Det må ikke komme væske inn i PAPR-systemet eller på filterelementene.

Delene kan lufttørkes. Det skal under ingen omstendigheter brukes løsemidler eller slipende rengjøringsmidler. Enheten må ikke tørkes med varm luft eller strålevarme.

PAPR-systemet bør kunne gi beskyttelse i henhold til spesifikasjonene i 2-3 år, når det vedlikeholdes i henhold til disse instruksjonene. Før hver bruk, må brukeren sjekke at PAPR-systemet er fri for defekter, som sprekker, delte filtre og slanger, sprukket visir og sprukkede hjelmkomponenter.

10. FEILSØKING

Hvis det skjer en plutselig endring i lufttilførselen ved bruk av systemet, må du sjekke følgende:

- » Alle deler i lufttilførselssystemet er montert som de skal.
- » Batteriet og kontakten
- » Om det er feil på batteriet
- » Filtre og tilstopping
- » Om det er hull i luftslangen.
- » Om hjelmtetningen er skadet.
- » Om driftstiden etter en full lading av batteriet er redusert (hvis så er tilfelle, må batteriet skiftes).

| FEIL | MULIG ÅRSAK | ANBEFALING |
|---|---|--|
| PAPR-systemet virker ikke i det hele tatt | <ul style="list-style-type: none"> » Batteriet er helt utladet (sjekk om blåserenheten virker med et annet oppladet batteri) » Feil på motor, kretskort eller kontakt | <ul style="list-style-type: none"> » Lad opp batteriet (hvis problemet vedvarer, sjekk batteriet) » Kontakt leverandør. |
| Lav luftstrøm | <ul style="list-style-type: none"> » Blokkert luftslange eller luftkanal » Lekkasje » Batteriet er ikke nok ladet » Tilstoppet filter eller forfilter | <ul style="list-style-type: none"> » Sjekk og fjern blokkeringen. Sjekk alle tetninger, kontakter og luftslangen. Forsikre deg om at luft ikke kan lekke gjennom hull eller sprekker. » Lad opp batteriet (hvis problemet vedvarer, sjekk batteriet) » Skift forfilteret. Hvis problemet vedvarer, skift hovedfilteret. |
| Kort driftstid | <ul style="list-style-type: none"> » Tilstoppet filter » Batteriet er ikke godt nok ladet | <ul style="list-style-type: none"> » Skift filtrene » Skift batteriet. (Hvis problemet vedvarer, sjekk batteriet) |
| Batteriet kan ikke lades opp | <ul style="list-style-type: none"> » Batteriet er skadet » Feil på laderen | <ul style="list-style-type: none"> » Sjekk batterikontakten. » Kontakt leverandør |
| Batteriet kan ikke lades godt nok opp | <ul style="list-style-type: none"> » Batteriet er slitt | <ul style="list-style-type: none"> » Sett inn et nytt batteri. |

11. OPPBEVARING OG TRANSPORT

Når blåserenheten og hjelmen ikke er i bruk eller transporteres, må de oppbevares i boksen de ble levert i eller en tilsvarende boks, slik at de er utenfor direkte sollys, ikke i kontakt med løsemidler og slik at de ikke kan skades av fysisk kontakt med harde flater/gjenstander. Må ikke oppbevares utenfor et temperaturområde på +0 °C til +40 °C, eller i en relativ luftfuktighet høyere enn 75 %.

12. SERTIFISERTE HJELMSYSTEMER (p. 5)

- 13 - Guardian 50M Air - 86669
- 13 - Guardian 50FM Air - 86682
- 13 - Guardian 62 Air - 57007
- 13 - Guardian 62F Air - 57029
- 14 - Big Vision Air - 73314

13. LISTE OVER DELER OG TEGNING (p. 5)

- 1 - Guardian Air (komplett blåsersett) - 86692
- 2 - Motorenhet - 86668
- 3 - Partikkelfilter P R SL (4 stk.) - 86645
- 4 - Forfilter (10 stk.) - 86655
- 5 - Gnistbeskytter - 86704
- 6 - Filterdeksel - 86657
- 7 - Standard batteri (5200 mAh) - 86660
- 7 - Kraftig batteri (7800 mAh) - 57075
- 8 - Universallader - 57081
- 9 - Fleksibel luftslange inkl. slangebeskyttelse - 57065
- 10 - Komfortbelte - 57144
- 11 - Skulderstropp - 57144
- 12 - Luftstrømtester - 57184
- 15 - Hjelmtetning - 57182
- 16 - Böhler-veske (blå) - 57186
- 16 - Böhler-veske (svart) - 86702

14. TEKNISKE DATA

Guardian Air er et lettvektig og brukervennlig PAPR-system. Det er utstyrt med et utskiftbart partikkelfilter. Systemet gir en rimelig beskyttelse mot partikler og aerosoler.

- » Luftstrøm: 180 til 220 liter/min. med en minimum strømningshastighet på 170 liter/min. før alarmen avgis.
- » Vekt med filter og batteri: 870 gram
- » Driftstemperatur mellom 0 °C og +40 °C
- » Filtertype: P R SL
- » Batteritype: Utskiftbart oppladbart li-ion 7,4 V / 5200 mAh
- » Ladesykluser >350 r
- » Visuell alarm for lav batterispenning
- » Visuelle og akustiske alarmer for utilstrekkelig strømningshastighet (under 170 l/min.)
- » Nominell beskyttelsesfaktor (Nominal Protection Factor = NPF) 500
- » Støynivå: 65 dB
- » Driftstid på mer enn 8 timer ved minimum strømningshastighet med et nytt filter og fulladet batteri i et rent miljø. (6 timer ved maks strømningshastighet) Faktisk driftstid kan bli vesentlig redusert, avhengig av forurensningsnivået i miljøet.
- » **Merk! Driftstiden kan bli redusert hvis filteret er tett eller batteriet ikke er nok ladet**

Sertifisering EN 12941:1998+A1:2003+A2:2008

Sertifisert av: APAVE SUDEUROPE SAS teknisk kontrollorgan
0082
13322 MARSEILLE
CEDEX 16
Frankrike

Dette personlige verneutstyret samsvarer med følgende relevante EU-standarder:



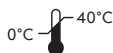
EN 12941:1998+A1:2003+A2:2008
EN166B:2001
EN379:2003 +A1:2009 EN175B

Symboler:

Se produsentens brukerhåndbok:



Oppbevares mellom 0-40 °C
(grader Celsius):



Oppbevares til:



Maks oppbevaring
Luftfuktighet <75 %:



<75%

Filtersymboler:

R = betyr at filteret kan brukes i mer enn ett skift

S = betyr at filteret beskytter mot solide partikler

L = betyr at filteret beskytter mot væskepartikler

15. GARANTI

Guardian Air har en garanti på 12 måneder mot mekaniske eller elektriske mangler, fra kjøpsdatoen. Böhler-batteriet har en garanti på 12 måneder fra produksjonsdatoen.

voestalpine Böhler Welding påtar seg å bytte eller reparere kostnadsfritt, dersom noen del skulle vise seg å være defekt innenfor denne perioden. Alternativt og etter eget skjønn, kan Voestalpine Böhler Welding komme til å erstatte enheten.

Denne garantien forutsetter at:

Guardian Air kun har blitt brukt til det formålet den er laget for. Guardian Air ikke har vært utsatt for misbruk, ulykker, modifikasjoner eller reparasjoner.

NB: Ved garantikrav, må du kontakte forhandleren der Guardian Air ble kjøpt.

Denne garantien dekker ikke normal slitasje.

Denne garantien berører ikke dine juridiske rettigheter.

Guardian Air

INSTRUKCJA UŻYTKOWANIA RESPIRATORÓW OCZYSZCZAJĄCYCH POWIETRZE

Potwierdzona zgodność z normą BS EN 12941 : 1998 - A1:2003+A2:2008 TH3
APARAT DO OCHRONY DRÓG ODDECHOWYCH – AKUMULATOROWE URZĄDZENIE FILTRUJĄCE Z SERIĄ PRZYŁBIC SPAWALNICZYCH
KLASA TH3 P R SL

TŁUMACZENIE INSTRUKCJI OBSŁUGI

Producent zastrzega sobie prawo, w każdej chwili i bez uprzedzenia, do wprowadzania zmian i poprawek w niniejszej instrukcji obsługi, które okażą się konieczne ze względu na błędy w druku, nieściśności lub udoskonalenia produktu. Zmiany te zostaną jednak uwzględnione w kolejnych wydaniach instrukcji.

Nasze aktualne dokumenty produktowe oraz wszystkie dane kontaktowe **voestalpine Böhler Welding** można znaleźć na naszej stronie internetowej pod adresem: www.voestalpine.com/welding.

WAŻNE!

Przed pierwszym użyciem produktu należy przeczytać ze zrozumieniem niniejszą instrukcję użytkowania, która powinna zostać zachowana do wglądu w przyszłości.

INFORMACJE OBOWIĄZKOWE DOTYCZĄCE KORZYSTANIA Z RESPIRATORA OCZYSZCZAJĄCEGO POWIETRZE Z PRZYŁBICAMI SPAWALNICZYMI

Podczas użytkowania/obsługi respiratora oczyszczającego powietrze należy bezwzględnie przestrzegać niniejszej instrukcji użytkowania. Nieprzestrzeganie instrukcji może spowodować utratę ochrony gwarancyjnej oferowanej lub dostępnej wraz z produktem. Szczegółowe warunki takiej ochrony opisane zostały w umowie kupna-sprzedaży produktu.

Produkt opracowany został z myślą o zapewnieniu ochrony zdrowia i komfortu użytkownika. Negatywny wpływ na zdrowie/komfort użytkownika może mieć również nieprzestrzeganie niniejszej instrukcji.

Przed rozpakowaniem produktu należy uważnie przeczytać instrukcję użytkowania.

Producent nie udziela żadnych zaleceń dotyczących przydatności produktu do konkretnych potrzeb. W razie pytań dotyczących przydatności produktu do danego zastosowania należy skontaktować się ze specjalistą ds BHP.

Dane kontaktowe i adresowe podane zostały na stronie 2.

SPIS TREŚCI

1. Wstęp
2. Zastosowania
3. Aprobaty
4. Warunki użytkowania
5. Opis systemu
6. Rozpakowywanie/montaż
7. Przed przystąpieniem do korzystania
8. Użytkowanie
9. Konserwacja/czyszczenie
10. Lokalizowanie usterek
11. Przechowywanie i transport
12. Lista certyfikowanych przyłbic
13. Lista części i rysunek złożeniowy
14. Dane techniczne
15. Gwarancja

1. WSTĘP

Respirator Guardian Air zapewnia ochronę dróg oddechowych i działa w oparciu o cyrkulację nadciśnieniową powietrza w przyłbicy. Zamontowana na pasie dmuchawa doprowadza przefiltrowane powietrze podłączonym do przyłbicy węzłem. Dopływ przefiltrowanego powietrza wytwarza wewnątrz przyłbicy nadciśnienie, które zapobiega przedostawaniu się do strefy oddychania zanieczyszczonego powietrza.

2. ZASTOSOWANIA

Respirator oczyszczający powietrze nadaje się do wszystkich zastosowań dopuszczających zgodność z normą EN12941. Urządzenie nie nadaje się do spawania w przestrzeniach zamkniętych. (Zob.: punkt 4. Warunki użytkowania).

3. APROBATY

Respirator Guardian Air został opracowany i wyprodukowany pod kątem zgodności z normą EN12941:1998 - A1:2003+A2:2008 jako urządzenie klasy TH3 P R SL.

Rekomendowana użytkownikowi do przeczytania norma BS4275 (przewodnik wdrażania programu efektywnej ochrony dróg oddechowych) definiuje sprzęt klasy TH3 P R SL zgodnie z normą EN12941 jako taki, który oferuje nominalny współczynnik ochrony na poziomie 500.

Respirator oczyszczający powietrze może zapewnić taki poziom ochrony tylko w połączeniu z filtrami dostarczonymi przez producenta i opatrzonymi oznaczeniami „Böhler” i „EN12941:1998 TH3 P R SL”.

Przyłbice spawalnicze otrzymały świadectwa zgodności z normą EN 175B.

Respiratory oczyszczające powietrze wytwarzane są z zachowaniem wymogów normy jakości ISO 9001:2000.

4. WARUNKI UŻYTKOWANIA

Podczas korzystania z respiratora Guardian Air należy przestrzegać niniejszej instrukcji użytkownika oraz instrukcji dostarczonej wraz z przyłbicą.

Użytkownik zobowiązany jest do dokładnego przeczytania ze zrozumieniem wszystkich poniższych wskazówek, w których opisano zasady prawidłowego użytkownika systemu ochrony dróg oddechowych. Wszelkie pytania należy zadawać, korzystając z zamieszczonych na stronie 2 informacji kontaktowych producenta.

Wyłączony respirator oczyszczający powietrze zapewnia minimalną ochronę dróg oddechowych lub nie zapewnia jej wcale. Po wyłączeniu respiratora oczyszczającego powietrze może dojść do szybkiego nagromadzenia się dwutlenku węgla i wyczerpania zapasu tlenu wewnątrz przyłbicy. **W związku z tym bardzo ważne jest, aby nie korzystać z dmuchawy, gdy jest ona wyłączona.**

NIE NALEŻY KORZYSTAĆ Z RESPIRATORA GUARDIAN AIR:

- » W atmosferze, która stanowi bezpośrednie zagrożenie dla higieny lub zdrowia użytkownika i/lub odznacza się zawartością tlenu mniejszą niż 19,5% bądź zawiera nieznane substancje.
- » W przestrzeniach zamkniętych lub niewentylowanych, takich jak zbiorniki, rury, kanały itp.
- » W pobliżu płomieni i/lub iskier.
- » W obszarach zagrożonych wybuchem.
- » W miejscach, w których występują silne wiatry.
- » Jeśli dmuchawa z jakiegokolwiek powodu przestanie działać, należy natychmiast opuścić zanieczyszczony obszar.

WAŻNE JEST RÓWNIEŻ:

- » Aby nic nie dotykało ruchomych części.
- » Uniemożliwienie wprowadzania modyfikacji w obrębie respiratora oczyszczającego powietrze oraz filtrów.
- » Aby woda lub inne ciecze nie mogły wnikać do wnętrza urządzenia. Dotyczy to szczególnie silnika, wentylatora, filtra oraz akumulatora.

Należy upewnić się, że przyłbica idealnie pasuje do twarzy użytkownika. Tylko pod takim warunkiem system gwarantuje wystarczającą efektywność. Niedokładne dopasowanie uszczelnienia przyłbicy – na przykład z powodu dociśnięcia zarostu lub włosów w miejscu uszczelnienia – powoduje obniżenie współczynnika ochrony.

Istnieje ryzyko zahaczenia o wąż przyłbicy podczas użytkowania. Respirator oczyszczający powietrze powinien być założony w taki sposób, aby zminimalizować to zagrożenie.

Filtrów nie można montować bezpośrednio do przyłbicy i nie wolno ich w tym celu przerabiać.

Prawidłowa ochrona dróg oddechowych nie może zostać zapewniona, jeśli którykolwiek z elementów sprzętu zostanie w jakikolwiek sposób zmodyfikowany.

W warunkach bardzo wysokiego tempa pracy ciśnienie w respiratorze oczyszczającym powietrze może osiągnąć wartość ujemną przy szczytowym przepływie oddechowym. W razie wątpliwości użytkownik powinien skonsultować się z lokalnym personelem odpowiedzialnym za bezpieczeństwo i higienę pracy oraz przeprowadzonymi ocenami ryzyka.

Z respiratorów oczyszczających powietrze mogą korzystać wyłącznie kompetentni i przeszkoleni pracownicy.

UWAGA!

Jeśli którykolwiek z powyższych warunków nie zostanie spełniony, spowoduje to automatycznie unieważnienie gwarancji.

ZALECANE JEST NATYCHMIASTOWE OPUSzcZENIE ZANIECZYSZCZONEGO OBSZARU, GDY:

- » Wystąpi dźwiękowy alarm ostrzegawczy minimalnego przepływu przewidzianego przez producenta (Manufacturer's Minimum Design Flow, MDMF).
- » Oddychanie stanie się utrudnione.
- » Wystąpią zawroty głowy lub osłabienie.
- » Któraś z części respiratora ulegnie uszkodzeniu.
- » Dopływ powietrza do przyłbicy zmniejszy się lub ustanie.
- » Wewnątrz przyłbicy pojawi się zapach lub posmak substancji zanieczyszczającej.
- » U większości osób materiały, które mają kontakt ze skórą, nie powodują reakcji alergicznej, ale w mało prawdopodobnym przypadku wystąpienia takiej reakcji użytkownik powinien natychmiast opuścić zanieczyszczony obszar, zdjąć respirator i skonsultować się z lekarzem.

5. OPIS SYSTEMU

Guardian Air to mocowany do pasa respirator z wydajnym wymiennym jednorazowym filtrem cząstek stałych. Aparat oferuje potwierdzoną odpowiednim certyfikatem zgodność z przyłbicami opisanymi w sekcji 10 na głowę w zakresie obwodów od 535 do 600 mm.

Respirator oczyszczający powietrze wyposażony jest w wymienny zestaw akumulatorowy pozwalający na prowadzenie pracy przez 8 godzin (8 godzin w czystym otoczeniu – w warunkach czas ten może ulec znacznemu skróceniu w zależności od stężenia cząstek stałych w powietrzu).

Respirator Guardian Air zapewnia ostrzeżenia o nieosiągnięciu przepływu minimalnego (MMDF), tj. 170 l/min, w postaci alarmu dźwiękowego i migających diod LED.

W razie wystąpienia alarmu użytkownik musi natychmiast opuścić obszar roboczy i udać się do miejsca wskazanego jako bezpieczne. Respirator oczyszczający powietrze oferuje także wizualne wskazanie niskiego poziomu naładowania akumulatora oraz dźwiękowo-wzrokowy alarm niedrożności filtra. W zależności od rodzaju usterki użytkownik powinien wymienić filtr na nowy (w bardzo zapyłonym otoczeniu filtr wymaga częstszej wymiany) i/lub ponownie naładować akumulator bądź wymienić go na naładowany. Użytkownik może powrócić do obszaru roboczego dopiero wówczas, gdy praca respiratora oczyszczającego powietrze nie towarzyszy alarm, a natężenie przepływu zostało uznane za dostateczne w drodze pomiaru.

Filtr został opracowany specjalnie do zastosowania z tym urządzeniem. Stuży on do filtrowania powietrza, którym oddycha użytkownik. Bardzo ważne jest, aby użytkownik sprawdził filtr pod kątem wszelkich śladów uszkodzenia lub deformacji, które mogłyby potencjalnie spowodować przedostanie się zanieczyszczającego powietrza do wnętrza aparatu. Filtr musi zostać zutytylowany, jeśli uległ uszkodzeniu lub wystąpił alarm niedrożności filtra.

Wymienny akumulator respiratora to ogniwo litowo-jonowe. W dostarczonym wraz z produktem akumulatorze może utrzymywać się niewielki ładunek. Przed pierwszym użyciem respiratora oczyszczającego powietrze należy rozładować akumulator, a następnie podłączyć od ładowania na 16 godzin.

6. ROZPAKOWYWANIE/MONTAŻ

6.1. Rozpakowanie

Sprawdzić, czy zawartość opakowania jest kompletna oraz czy żadna część nie uległa uszkodzeniu podczas transportu lub z innego powodu.

Opakowanie z kompletnym respiratorem oczyszczającym powietrze wraz z akcesoriami powinno zawierać:

- » Respirator Guardian Air z akumulatorem oraz filtrem P R SL i filtrem wstępnym
- » Pas
- » Wąż doprowadzania powietrza
- » Miernik przepływu powietrza
- » Ładowarkę akumulatorów
- » Instrukcję użytkownika

6.2. Montaż

Mocowanie dmuchawy do pasa: Poprowadzić wewnętrzny pasek za szlufkami dmuchawy. Przeprowadzić pasek przez szlufki pasa, a następnie przez klamrę. (Rys. 1 / str. 4)

Umieścić akumulator w dmuchawie. (Rys. 3 / str. 4)

6.2.1. Regulacja pasa biodrowego:

Owinąć wokół talii pas z respiratorem oczyszczającym powietrze umieszczonym z tyłu i spiąć ze sobą oba końce pasa.

Jeśli pas jest zbyt luźny, przesunąć męską część klamki wzdłuż pasa w kierunku żeńskiej części. Jeśli pas jest zbyt ciasny, przesunąć męską część klamki w kierunku przeciwnym względem żeńskiej części.

Powtarzać powyższe czynności aż do uzyskania wygodnego i bezpiecznego dopasowania. Po prawidłowym dopasowaniu pasa przeprowadzić nadmiar materiału przez szlufki. (Rys. 5 / str. 4)

6.2.2. Filtr cząstek stałych

Należy korzystać wyłącznie z filtrów marki Böhler dostarczonych przez firmę Voestalpine Böhler Welding. Korzystanie z innych filtrów spowoduje unieważnienie ochrony gwarancyjnej i/lub poważne zagrożenie dla zdrowia użytkownika obsługującego produkt.

To, czy filtry marki Böhler zapewniają odpowiedni poziom ochrony, należy najpierw ustalić, konsultując się ze specjalistą ds. higieny pracy lub działem pomocy technicznej producenta. Respirator Guardian Air jest wyposażony w wydajne filtry cząstek stałych klasy P R SL.

Gdy tylko wystąpi dźwiękowy alarm ostrzegawczy, należy wymienić lub sprawdzić filtr wstępny. W silnie zapylnych miejscach może to być konieczne częściej.

Filtry muszą być regularnie sprawdzane (zob.: punkt 7.2. Test przepływu powietrza) i wymieniane. Zużyte filtry należy wymienić – nie wolno ich czyszczyć i używać ponownie.

W przypadku nowych filtrów należy upewnić się, że nie minął termin ich przydatności oraz że nie były one używane i nie są uszkodzone.

Z higienicznego punktu widzenia maksymalny dopuszczalny okres użytkowania filtra głównego wynosi 2 tygodnie lub 90 godzin.

OSTRZEŻENIE!

Z punktu widzenia doboru filtra ważne jest, aby użytkownik nie pomylił oznaczeń na filtrze odnoszących się do jakiegokolwiek normy innej niż EN12941 1998 -A1:2003+A2:2008 z klasyfikacją urządzenia.

6.2.3. Usuwanie zużytych i zakładanie nowych filtrów

Otworzyć pokrywę filtra pociągając ją na zewnątrz z prawej strony dmuchawy. (Rys. 6 / str. 4)

UWAGA!!! Kategorycznie zabrania się używania jakichkolwiek narzędzi do otwierania pokrywy filtra.

Aby wyjąć filtr, należy go wyciągnąć z urządzenia. Oczyszczyć

urządzenie z kurzu, upewniając się, że kurz nie dostanie się do wlotu powietrza.

Włożyć nowy filtr z powrotem na miejsce. (Rys. 7 / str. 4) Wcisnąć go delikatnie, aż będzie dobrze przylegał do korpusu urządzenia.

Zamknąć pokrywę filtra. Zwróć szczególną uwagę, pokrywa filtra zatrzaśnie się po prawidłowym zamknięciu. Nie próbuj używać dmuchawy bez prawidłowo założonej pokrywy.

6.2.4. Wymiana filtra wstępnego (Rys. 7 / str. 4)

Filtr wstępny to włóknina, która jest nałożona na filtr główny. Aby go zdjąć/wymienić wystarczy ściągnąć stary filtr i naciągnąć nowy na miejsce. Należy zwrócić uwagę, aby wkład filtra głównego był całkowicie przykryty przez filtr wstępny.

6.2.5. Podłączenie węża do respiratora oczyszczającego powietrze:

Dopasować bolce złącza bagnetowego węża do szczelin w otworze wylotowym powietrza respiratora. Wprowadzić złącze bagnetowe do samego końca otworu w dmuchawie, a następnie obrócić w prawo, tak aby bolce ustalające zostały zablokowane w położeniu docelowym.

Mocowanie węża do przyłbicy odbywa się analogicznie.

6.2.6. Zakładanie przyłbicy Böhler Guardian Air:

1. Ustawić nagłowię przyłbicy i wyregulować filtr spawalniczy. (Zob.: instrukcja użytkownika przyłbicy).
2. Unieść przyłbicę do najwyższego położenia.
3. Założyć ją na głowę, a następnie wcisnąć i obrócić pokrętko regulacyjne, tak aby uzyskać zadowalające dopasowanie.
4. Pociągnąć w dół za elastyczny pasek podbródkowy, pociągając jednocześnie przyłbicę. Dopasować długość paska podbródkowego, tak aby nie powodował dyskomfortu.
5. Przyłbica spawalnicza jest gotowa do pracy.

7. PRZED UŻYCIEM

7.1 Kontrola przed użyciem:

Przed każdym rozpoczęciem pracy należy sprawdzić, czy:

- » Wszystkie elementy są w dobrym stanie i nie noszą widocznych śladów uszkodzeń. Uszkodzone lub zużyte części należy niezwłocznie wymienić. Należy dokładnie sprawdzić wąż doprowadzania powietrza, uszczelki i część tworzącą.
- » Czy wąż powietrza jest prawidłowo połączony z przyłbicą oraz respiratorem oczyszczającym powietrze.
- » Czy natężenie przepływu powietrza jest dostateczne. (Zob.: punkt 7.2. Test przepływu powietrza).
- » Czy powietrze jest doprowadzane przez respirator oczyszczający powietrze z dmuchawy do przyłbicy.
- » Czy akumulator został naładowany przed pierwszym użyciem oraz czy jest dostatecznie naładowany przed każdym kolejnym. (Zob.: punkt 7.3. Akumulatory).
- » **Ostrzeżenia alarmowe działają prawidłowo (zob.: punkt 8. Użytkowanie).**

7.2. Test przepływu powietrza: (Rys. 4 / str. 4)

1. Odłączyć wąż doprowadzania powietrza od dmuchawy.
2. Wprowadzić miernik przepływu powietrza do złącza węża doprowadzania powietrza i utrzymać wąż w pozycji pionowej na wysokości oczu.
3. Włączyć zasilanie. Przepływ powietrza jest wystarczający tylko pod warunkiem, że wskazanie miernika kulowego przekroczy minimalny poziom natężenia przepływu. Jeśli wskazanie miernika spadnie poniżej minimalnego poziomu natężenia przepływu, konieczne jest naładowanie

akumulatora lub wymiana filtra. Jeśli problem wystąpi ponownie, należy skorzystać z dodatkowych sugestii opisanych w punkcie 10.

7.3. Akumulatory

UWAGA! Akumulatory są dostarczane w stanie częściowego naładowania. Wszystkie akumulatory muszą zostać naładowane przed pierwszym użyciem. Akumulatory można ładować niezależnie lub wewnątrz dmuchawy.



OSTRZEŻENIE

Konieczne jest, aby ładowarka wykorzystywana do ładowania akumulatorów została dostarczona wraz z produktem i była ładowarką zatwierdzoną przez producenta. Korzystanie z innej ładowarki akumulatorów spowoduje unieważnienie ochrony gwarancyjnej i/lub poważne zagrożenie dla zdrowia użytkownika obsługującego produkt w związku z ryzykiem wystąpienia pożaru lub eksplozji.

Ładowarka nie może być wykorzystywana do celów innych niż zgodne z jej przeznaczeniem. Nie należy ładować akumulatorów w pomieszczeniach zagrożonych wybuchem. Ładowarka jest przeznaczona do użytku w pomieszczeniach. Należy ją chronić przed wilgocią. Sterowanie ładowaniem odbywa się automatycznie. Po naładowaniu akumulatora ładowarka przełącza się na tryb ładowania podtrzymującego i utrzymuje pełne naładowanie akumulatora. Czas ładowania wynosi od 4 do 6 godzin.

7.3.1. Ładowanie akumulatora



OSTRZEŻENIE

1. Sprawdzić, czy napięcie zasilania elektrycznego jest prawidłowe.
2. **Upewnić się, że ładowarka wykorzystywana do ładowania akumulatorów została dostarczona wraz z produktem i jest ładowarką zatwierdzoną przez producenta. Ważne jest, aby korzystać tylko z ładowarki dostarczonej wraz z produktem. Nieprzestrzeganie tego zalecenia powoduje poważne ryzyko pożaru lub wybuchu.**
3. Podłączyć ładowarkę do gniazda. Drugi koniec przewodu podłączyć albo do dmuchawy, jeżeli znajduje się w niej akumulator, albo bezpośrednio do akumulatora.
4. Podłączyć akumulator do ładowarki. Gniazdo akumulatora znajduje się w jego tylnej części.
5. Stan ładowania jest sygnalizowany za pomocą czerwonej diody LED.
6. Po zakończeniu ładowania aktywowany jest tryb ładowania podtrzymującego: gaśnie czerwona, a zapala się zielona dioda LED.
7. Odłączyć ładowarkę od zasilania.

Nie należy pozostawiać ładowarki podłączonej do zasilania, jeśli nie jest ona używana!

7.3.2. Wymiana akumulatora

Wymijowanie akumulatora:
Zlokalizować zatrząsk akumulatora. Odciągnąć zatrząsk, aby unieść i wyjąć akumulator.

Zakładanie akumulatora:

Upewnić się, że akumulator jest zakładany właściwą stroną do góry (zgodnie z opisem w punkcie 6.2), a następnie wprowadzić akumulator do dmuchawy aż do momentu zahaczenia zaczepu. Ważne jest, aby zaczep akumulatora został całkowicie zablokowany. (Rys. 3 / str. 4)

8. UŻYTKOWANIE

Włączyć dmuchawę, naciskając wyłącznik główny na panelu sterowania. Przepływ powietrza można regulować za pomocą przycisków +/- w sześciu poziomach w zakresie od 180 do 220 l/min. Zielone diody LED wskazują rzeczywisty poziom przepływu powietrza. Aby uzyskać reakcję, przycisk należy wcisnąć i przytrzymać przez 2 sekundy. Ma to na celu uniknięcie ryzyka wprowadzenia przypadkowych zmian. (Rys. 2 / str. 4)

Respirator Guardian Air zapewnia stały dopływ powietrza. Mikroprocesor urządzenia automatycznie dobiera prędkość silnika w zależności od drożności filtra i stanu naładowania akumulatora. Jeśli mikroprocesor nie może utrzymać pożądaną prędkość przepływu powietrza, wyemitowany zostanie sygnał dźwiękowy, który oznacza konieczność przeprowadzenia kontroli respiratora oczyszczającego powietrze. Mikroprocesor automatycznie zmniejszy przepływ powietrza o poziom niżej, a jeśli to nie będzie możliwe, sygnał alarmowy będzie w dalszym ciągu emitowany. Jeżeli prędkości przepływu powietrza spadnie poniżej minimalnego bezpiecznego poziomu roboczego, wystąpi drugi alarm dźwiękowy. W takiej sytuacji użytkownik musi natychmiast przerwać pracę, opuścić miejsce jej prowadzenia i udać się do obszaru wskazanego jako bezpieczny, aby wymienić filtr lub naładować/wymienić akumulator.

Abym sprawdzić działanie alarmów, należy zablokować wylot powietrza dłonią lub w inny sposób. Następnie silnik włączonego respiratora oczyszczającego powietrze będzie próbował zrekompensować spadek przepływu wzrostem prędkości, dopóki mikroprocesor nie wyemituje opisanego wyżej alarmu.

Sprawdzanie stanu akumulatora: Podczas pierwszego uruchomienia urządzenia diody LED akumulatora na panelu obsługowym będą migać na czerwono, a następnie zgasną. Jeśli pozostaną zapalone, będzie to oznaczać niski poziom naładowania akumulatora. Zalecane jest założenie naładowanego akumulatora przed rozpoczęciem każdej zmiany.

Przy w pełni naładowanym akumulatorze urządzenie powinno działać normalnie, a jeśli alarm dźwiękowy jest w dalszym ciągu emitowany, konieczna jest wymiana filtra. Jeśli problem wystąpi ponownie, należy skorzystać z dodatkowych sugestii opisanych w punkcie 10.

9. KONSERWACJA/CZYSZCZENIE

Dmuchawa, obudowa filtra i przyłbica muszą być regularnie czyszczone, tak aby utrzymać je w dobrym stanie.

W przypadku użytkowania przez jedną osobę elementy te można czyścić szmatką zwilżoną letnią wodą z mydłem.

W razie użytkowania przez wiele osób przed każdym użyciem należy przeprowadzić dezynfekcję.

Do części roboczej respiratora oczyszczającego powietrze oraz do filtra nie mogą dostawać się ciecze.

Części należy pozostawić do wyschnięcia na zewnątrz. Pod żadnym pozorem nie należy używać rozpuszczalników ani ściernych środków czyszczących. Urządzenia nie wolno suszyć z wykorzystaniem gorącego powietrza lub wypromieniowywanego ciepła.

Konserwowany zgodnie z zamieszczonymi tu instrukcjami respirator oczyszczający powietrze powinien zapewniać założony przez producenta poziom ochrony przez okres od 2 do 3 lat. Przed każdym użyciem należy sprawdzić, czy respirator oczyszczający powietrze jest wolny od uszkodzeń obudowy, filtra, węża, szybki i innych elementów przyłbicy.

10. LOKALIZOWANIE USTEREK

Jeśli podczas użytkowania respiratora nastąpi nagła zmiana natężenia dopływu powietrza, należy sprawdzić:

- » Czy wszystkie części układu doprowadzania powietrza są prawidłowo zmontowane.
- » Akumulator i jego złącze.
- » Czy akumulator nie jest uszkodzony lub nie działa nieprawidłowo.
- » Filtry i ich drożność.
- » Czy wąż doprowadzania powietrza nie jest przebity.
- » Czy uszczelnienie przyłbicy nie jest uszkodzone.
- » Czy czas pracy po pełnym naładowaniu akumulatora nie skrócił się (jeśli tak się stało, należy wymienić akumulator).

| USTERKA | MOŻLIWA PRZYCZYNA | ZALECENIE |
|--|---|--|
| Respirator oczyszczający powietrze w ogóle nie działa. | <ul style="list-style-type: none"> » Całkowicie rozładowany akumulator (sprawdzić, czy dmuchawa pracuje z innym naładowanym akumulatorem). » Awaria silnika, płytki drukowanej lub złącza. | <ul style="list-style-type: none"> » Naładować akumulator (jeśli problem się powtarza, sprawdzić akumulator). » Należy zwrócić się do dostawcy. |
| Niskie natężenie przepływu powietrza. | <ul style="list-style-type: none"> » Zablokowany wąż lub kanał doprowadzania powietrza. » Wyciek. » Akumulator nie jest dostatecznie naładowany. » Zablokowany filtr lub filtr wstępny. | <ul style="list-style-type: none"> » Sprawdzić i udrożnić filtr. Sprawdzić wszystkie uszczelki, złącza i wąż doprowadzania powietrza. Upewnić się, że powietrze nie może wydostawać się przez otwory lub pęknięcia. » Naładować akumulator (jeśli problem się powtarza, sprawdzić akumulator). » Wymienić filtr wstępny. Jeśli problem się powtarza, wymienić filtr główny. |
| Krótki czas działania. | <ul style="list-style-type: none"> » Niedrożny filtr. » Akumulator nie jest dostatecznie naładowany. | <ul style="list-style-type: none"> » Wymienić filtry. » Naładować akumulator. (Jeśli problem się powtarza, sprawdzić akumulator). |
| Nie można naładować akumulatora. | <ul style="list-style-type: none"> » Uszkodzeniu uległ zestyk akumulatora. » Doszło do awarii ładowarki. | <ul style="list-style-type: none"> » Sprawdzić zestyk akumulatora. » Należy zwrócić się do dostawcy. |
| Nie można naładować akumulatora. | <ul style="list-style-type: none"> » Akumulator jest zużyty. | <ul style="list-style-type: none"> » Założyć nowy akumulator. |

11. PRZECHOWYWANIE I TRANSPORT

Na czas wycofania z użytku lub transportu dmuchawę i przyłbicę należy umieścić w pojemniku, w którym części te zostały dostarczone, lub w innym podobnym pojemniku, tak aby nie były one narażone na bezpośrednie działanie promieni słonecznych, nie miały kontaktu z rozpuszczalnikami oraz nie mogły ulec uszkodzeniu w wyniku uderzenia w twarde powierzchnie/przedmioty. Nie należy ich przechowywać w temperaturach poza zakresem od 0 do +40°C oraz w wilgotności powyżej 75% RH.

12. CERTYFIKOWANE PRZYŁBICE (str. 5)

- 13 - Guardian 50M Air - 86669
- 13 - Guardian 50FM Air - 86682
- 13 - Guardian 62 Air - 57007
- 13 - Guardian 62F Air - 57029
- 14 - Big Vision Air - 73314

13. LISTA CZĘŚCI I RYSUNEK ZŁOŻENIOWY (str. 5)

- 1 - Guardian Air (kompletna dmuchawa) - 86692
- 2 - silnik - 86668
- 3 - filtr cząstek stałych (4 szt.) - 86645
- 4 - filtr wstępny (10 szt.) - 86655
- 5 - osłona przeciwwiskrowa - 86704
- 6 - pokrywa filtra - 86657
- 7 - standardowa bateria (5200 mAh) - 86660
- 7 - akumulator o wyższej pojemności (7800 mAh) - 57075
- 8 - ładowarka uniwersalna - 57081
- 9 - elastyczny wąż doprowadzania powietrza z ochroną - 57065
- 10 - wygodny pas - 57144
- 11 - uprząż na ramiona - 57146
- 12 - miernik przepływu powietrza - 57184
- 15 - uszczelka części twarzowej przyłbicy - 57182
- 16 - torba Böhler (niebieski) - 57186
- 16 - torba Böhler (czarny) - 86702

14. DANE TECHNICZNE

Guardian Air to lekki i łatwy w obsłudze respirator oczyszczający powietrze. Jest on wyposażony w wymienny filtr cząstek stałych. Aparat zapewnia niezawodną ochronę przed wdychaniem cząstek stałych i aerozoli.

- » Przepływ powietrza: od 180 do 220 l/min z minimalnym przepływem przed wyemitowaniem alarmu na poziomie 170 l/min.
- » Masa z filtrem i akumulatorem: 870 g
- » Temperatura robocza musi się mieścić w zakresie od 0 do +40°C
- » Rodzaj filtra: P R SL
- » Rodzaj akumulatora: Wymienny akumulator litowo-jonowy 7,4 V / 5.200 mAh
- » Cykle ładowania: >350
- » Wizualny alarm niskiego napięcia akumulatora
- » Alarmy wizualne i akustyczne informujące o zbyt niskim natężeniu przepływu (poniżej 170 l/min)
- » Nominalny współczynnik ochrony (Nominal Protection Factor = NPF) 500
- » Poziom emisji hałasu: 65 dB
- » Czas pracy dłuższy niż 8 godzin przy minimalnym natężeniu przepływu z nowym filtrem i całkowicie naładowanym akumulatorem w czystym otoczeniu. (6 godzin przy maksymalnym natężeniu przepływu). W rzeczywistych warunkach użytkowania czas pracy może ulec znacznemu skróceniu w zależności od stężenia zanieczyszczeń w powietrzu.
- » **Uwaga! Czas pracy może ulec skróceniu w razie niedrożności filtra i niedostatecznego naładowania akumulatora.**

Świadectwo zgodności z normą EN 12941:1998+A1:2003+A2:2008

Jednostka potwierdzająca: APAVE SUDEUROPE SAS, jednostka notyfikowana 0082

13322 MARSEILLE

CEDEX 16

Francja

To urządzenie ochrony osobistej spełnia następujące obowiązujące normy UE:



EN 12941:1998+A1:2003+A2:2008

EN166B:2001

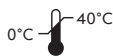
EN379:2003+A1:2009 EN175B

Symbole:

Zob.: instrukcja obsługi producenta:



Przechowywanie w temperaturze 0–40°C (stopnie Celsjusza):



Okres przydatności:



Maksymalna wilgotność w miejscu przechowywania: <75%



<75%

Znaczenie oznakowania filtra:

R (reusable) = filtr może być używany podczas więcej niż jednej zmiany.

S (solid particles) = filtr zapewnia ochronę przed cząstkami stałymi.

L (liquid particles) = filtr zapewnia ochronę przed cząstkami w stanie ciekłym.

15. GWARANCJA

Respirator Guardian Air jest objęty gwarancją obowiązującą przez okres 12 miesięcy od daty zakupu i obejmującą wady mechaniczne oraz elektryczne.

Akumulator Böhler jest objęty gwarancją obowiązującą przez okres 12 miesięcy od daty zakupu.

Firma voestalpine Böhler Welding zobowiązuje się do przeprowadzenia w tym okresie bez żadnych dodatkowych opłat wymiany lub naprawy każdej części uznanej za wadliwą. Firma Voestalpine Böhler Welding może według własnego uznania zdecydować się na wymianę części.

Niniejsza gwarancja zachowuje ważność pod warunkiem, że: Respirator Guardian Air był wykorzystywany wyłącznie do celów zgodnych z jego przeznaczeniem.

Nie doszło do niewłaściwego użytkowania, uszkodzenia, modyfikacji ani naprawy respiratora Guardian Air.

Uwaga! Reklamacje należy składać w miejscu zakupu respiratora Guardian Air.

Gwarancja nie obejmuje skutków naturalnego zużycia.

Niniejsza gwarancja nie ogranicza przysługujących konsumentowi praw stanowiących.

Guardian Air

MANUAL DE INSTRUÇÕES PARA UTILIZADORES PARA SISTEMAS PAPR

Aprovado para a norma BS EN 12941 : 1998 - A1:2003+A2:2008 TH3 - DISPOSITIVO DE PROTEÇÃO RESPIRATÓRIA - DISPOSITIVO DE FILTRAGEM ELÉTRICO, COM UM CONJUNTO DE CAPACETES DE SOLDADURA - CLASSE TH3 P R SL

TRADUÇÃO DA INSTRUÇÃO DO UTILIZADOR

O fabricante reserva-se o direito de, em qualquer altura e sem aviso prévio, fazer as alterações e alterações a estas instruções do utilizador que se tornem necessárias devido a erros de impressão, imprecisões ou melhorias do produto. Tais alterações serão, no entanto, incorporadas nas edições subsequentes do manual de instruções.

Os nossos últimos documentos de produto, bem como todos os detalhes de contacto para a **voestalpine Böhler Welding**, podem ser encontrados no nosso sítio web: www.voestalpine.com/welding.

IMPORTANTE!

Este manual de instruções para utilizadores tem de ser completamente lido e compreendido antes de usar o equipamento.
O manual de instruções para utilizadores tem de ser guardado para consultas futuras.

INFORMAÇÃO OBRIGATÓRIA PARA USAR UM RESPIRADOR DE PURIFICAÇÃO DE AR ELÉTRICO COM MÁSCARA DE SOLDADURA

É imperativo que estas instruções para utilizadores sejam estritamente seguidas ao usar/operar um sistema PAPR (espirlador purificador de ar com bateria, conforme designação em Inglês). O não cumprimento destas instruções poderá invalidar qualquer protecção da garantia oferecida ou disponibilizada para o(s) produto(s). Consulte os termos do seu contrato de compra relativo ao(s) produto(s) para conhecer os detalhes específicos dessa cobertura da garantia.

O(s) produto(s) foram concebidos para proteger a sua saúde e bem-estar. O não cumprimento destas instruções também poderá afetar adversamente a sua saúde/bem-estar.

Leia estas instruções de utilizador cuidadosamente antes de desembalar o(s) produto(s).

Nenhuma recomendação é feita relativamente à adequação deste produto às suas necessidades. Se tiver quaisquer questões relativas à adequação deste produto à tarefa que deseja executar, contacte um técnico de higiene e segurança.

A informação com o endereço de contacto está impressa na página 2.

ÍNDICE

1. Introdução
2. Intervalo de aplicação
3. Aprovações
4. Pré-condições de utilização
5. Vista geral do sistema
6. Desembalar/Montagem
7. Antes de usar
8. Utilização
9. Manutenção/Limpeza
10. Detecção de problemas
11. Armazenamento e transporte
12. Lista de sistemas de máscaras certificadas
13. Lista de peças e esquema de montagem
14. Dados técnicos
15. Garantia

1. INTRODUÇÃO

O Guardian Air é um sistema de protecção respiratória baseado no princípio de circulação de ar sobressurizado no capacete. O ventilador de ar montado no cinto fornece ar através de um filtro e de uma mangueira de ar para a máscara. O fornecimento de ar filtrado cria uma pressão positiva no interior da máscara, o que previne que o ar contaminado externo entre na zona de respiração do utilizador.

2. INTERVALO DE APLICAÇÃO

O sistema PAPR é adequado para todas as aplicações em que a certificação EN12941 é aceitável. A unidade não é adequada para soldadura em espaços confinados. (Consultar o capítulo 4. Pré-condições de utilização)

3. APROVAÇÕES

O Guardian Air foi concebido e fabricado para cumprir a norma EN12941: 1998 - A1:2003+A2:2008 como um dispositivo TH3 P R SL.

O BS4275 (Guia para implementar um programa de dispositivos de protecção respiratória eficaz), que o utilizador é aconselhado a ler, define o dispositivo EN12941 TH3 P R SL como oferecendo um Fator de Protecção Nominal de 500.

O sistema PAPR só pode fornecer este nível de protecção quando usado com filtros fornecidos pelo fabricante com a designação "Böhler" e "EN12941: 1998 TH3 P R SL".

Os máscaras de soldadura são certificados para a norma EN 175B

Os sistemas PAPR são fabricados segundo o sistema de qualidade ISO 9001:2015.

4. PRÉ-CONDIÇÕES DE UTILIZAÇÃO

O Guardian Air tem de ser usado estritamente de acordo com o seu manual de instruções e com as instruções fornecidas com o capacete correspondente.

O utilizador tem de ler e compreender todas as "Instruções de Utilização" que se seguem para ser capaz de usar o sistema de proteção respiratória corretamente. Quaisquer questões devem ser dirigidas aos pontos de contacto do fabricante indicados na página 2.

Quando o PAPR é desligado, deve ser esperada pouca ou nenhuma proteção respiratória. Quando o sistema PAPR é desligado, pode ocorrer uma acumulação de dióxido de carbono e uma deterioração rápida do oxigénio pelo que **é essencial não usar o ventilador quando este está desligado.**

O GUARDIAN AIR NÃO PODE SER USADO:

- » Numa atmosfera que seja imediatamente perigosa para a higiene ou saúde do utilizador, que tenha um teor de oxigénio inferior a 19,5% ou que contenha substâncias desconhecidas.
- » Em espaços confinados ou sem ventilação como tanques, tubos, canais, etc.
- » Perto de chamas e/ou faíscas.
- » Em zonas com perigo de explosão.
- » Numa zona com ventos fortes.
- » Se o ventilador deixar de funcionar por qualquer motivo, o utilizador tem de sair da zona contaminada imediatamente.

TAMBÉM É ESSENCIAL QUE:

- » Nada possa tocar nas peças em movimento.
- » Não ocorra qualquer tentativa de modificar ou alterar o sistema PAPR ou o filtro seja de que modo for.
- » Água ou outros líquidos não penetrem na unidade de nenhum modo, em particular no motor e na ventoinha, no filtro ou na bateria.

Certifique-se de que o capacete se ajusta ao rosto na perfeição. Só assim é que a eficiência do sistema é suficiente. O factor protetor do sistema completo é reduzido se o vedante do capacete não ficar corretamente ajustado, por exemplo, se barba ou cabelos compridos entrarem na linha de vedação.

É possível que a mangueira do capacete fique presa durante a utilização. O sistema PAPR deve estar posicionado na pessoa de modo a reduzir essa possibilidade.

Os filtros não podem ser instalados diretamente no capacete e não devem ser adaptados para que possam fazê-lo.

Não será fornecida uma proteção respiratória correta se qualquer das peças do equipamento for, de algum modo, modificada.

Com cargas de trabalho muito elevadas, a pressão do sistema PAPR pode tornar-se negativa no pico do fluxo de inalação. Em caso de dúvida, o utilizador deve consultar o pessoal de higiene e segurança local e devem ser efetuadas avaliações do risco aceitável.

Os sistemas PAPR destinam-se a ser usados apenas por pessoal competente e treinado.

ATENÇÃO!

Se qualquer destas condições não for mantida ou seguida, a garantia fica automaticamente inválida.

O UTILIZADOR É ACONSELHADO A ABANDONAR A ZONA CONTAMINADA IMEDIATAMENTE SE:

- » Soar o alarme de aviso de Caudal de Projeto Mínimo do Fabricante (CPMF)
- » Ficar difícil respirar
- » Sofrer tonturas ou aflição
- » Qualquer peça do sistema se danificar
- » O caudal de ar que entra no capacete diminuir ou parar
- » Se houver cheiro ou sabor a um contaminante no interior do capacete
- » Os materiais que possam entrar em contacto com a pele do utilizador não são conhecidos como sendo causadores de reações alérgicas para a maioria das pessoas, mas, no improvável caso de uma reação, o utilizador deve abandonar imediatamente a zona contaminada, retirar a unidade e procurar aconselhamento médico.

5. VISTA GERAL DO SISTEMA

O Guardian Air é um respirador elétrico de montagem no cinto com um sistema de filtros de partículas altamente eficiente, substituível e descartável. O sistema é certificado com os capacetes cobertos no capítulo 10 e inclui tamanhos de cabeça entre os 535 e 600 milímetros de circunferência.

O sistema PAPR contém um conjunto de baterias recarregáveis, amovível, com capacidade de 8 horas. (8 horas num ambiente limpo – numa oficina, o tempo pode ser significativamente reduzido dependendo dos níveis de partículas na atmosfera)

O Guardian Air avisará o utilizador quando o CPMF de 170 L/min. não for atingido, por meio de um alarme sonoro e de LED intermitentes.

Se estiver a operar quando o alarme soar, o utilizador tem de sair imediatamente da zona de trabalho e chegar a uma zona considerada segura. O sistema PAPR tem um alarme visual para bateria baixa e um alarme múltiplo, tanto sonoro como visual, para filtros obstruídos. Dependendo do problema, o utilizador deve substituir o filtro por um novo (em ambientes de muito pó, o filtro terá de ser substituído com frequência) e/ou recarregar a bateria ou substituí-la por uma totalmente carregada. Só quando o sistema PAPR funcionar com o alarme desligado e com um caudal testado como aceitável é que o utilizador deve regressar ao local de trabalho.

O filtro foi especialmente desenvolvido para esta unidade. É usado para filtrar o ar que o utilizador vai respirar. É essencial que o utilizador verifique o filtro para detetar quaisquer sinais de danos ou de deformação que possam deixar entrar ar contaminado no sistema. O filtro deve ser eliminado se estiver danificado ou obstruído ao ponto de ativar o mecanismo de alarme do sistema.

A bateria recarregável amovível utilizada é de célula de íões de lítio. Quando é fornecida, a bateria pode conter uma pequena carga, pelo que o sistema PAPR deve ser colocado a funcionar até desligar e depois carregado durante dezasseis horas antes da primeira utilização.

6. DESEMBALAR/MONTAGEM

6.1. Desembalar

Verifique se a embalagem está completa e que nenhuma peça está danificada devido ao transporte ou por outras razões.

- Português -

Uma embalagem com o sistema PAPR completo, incluindo acessórios, contém:

- » Guardian Air com bateria e filtro P R SL e pré-filtro
- » Cinto
- » Mangueira de ar
- » Indicador do caudal de ar
- » Carregador de baterias
- » Manual de instruções

6.2. Montagem

Encaixe o ventilador no cinto: Passe a tira interior pelas costas das alças do soprador. Depois, passe pelas alças do cinto e em seguida pela fivela. (Fig. 1 / pág. 4)

Coloque a bateria no ventilador. (Fig. 3 / pág. 4)

6.2.1. Ajuste do cinto à cintura:

Coloque o cinto à volta da cintura com o sistema PAPR para trás e aperte as duas extremidades uma à outra.

Se o cinto estiver demasiado folgado, deslize o ajuste macho para baixo no cinto na direção da parte fêmea. Se o cinto estiver demasiado apertado, afaste o ajuste macho da parte fêmea.

Repita os processos acima até conseguir uma colocação segura e confortável. Quando o cinto estiver colocado corretamente, prenda qualquer material em excesso do cinto através das alças do cinto. (Fig. 5 / pág. 4)

6.2.2. Filtro de partículas

Use apenas filtros com a marcação Böhler como fornecidos pela voestalpine Böhler Welding. Usar quaisquer outros filtros poderá fazer com que qualquer proteção da garantia fique inválida e/ou acarrete riscos sérios para a saúde do utilizador que opera o(s) produto(s).

Deve ser primeiro verificado, consultando um técnico de higiene e segurança ou contacto a linha de assistência técnica dos fabricantes, se os filtros marcados com Böhler vão oferecer proteção adequada contra o perigo.

O Guardian Air está equipado com filtros partículas de alta eficiência da classe P R SL.

Assim que o alarme de aviso soar, o pré-filtro deve ser substituído ou verificado. Em zonas de muito pó, pode ser necessário efetuar-lo com frequência.

Os filtros devem ser regularmente verificados (consultar o capítulo 7.2. Teste de caudal de ar) e substituídos. Os filtros destinam-se a ser substituídos e não podem ser limpos/reutilizados.

Certifique-se de que os novos filtros estão dentro da data de validade, não foram usados e não tenham danos evidentes. Do ponto de vista higiénico, o tempo de trabalho máximo de um filtro principal é de 2 semanas ou 90 horas, qualquer que seja maior, e não deve ser ultrapassado.

6.2.3. Remoção dos filtros e colocação de novos

Abrir a tampa do filtro puxando a tampa para fora a partir do lado direito do ventilador. (Fig. 6 / pág. 4)

ATENÇÃO! É estritamente proibida a utilização de quaisquer ferramentas para abrir a tampa do filtro.

AVISO!

É essencial que o utilizador não confunda as marcações no filtro relativas a quaisquer outras normas que não a EN12941 1998 -A1:2003+A2:2008 com a classificação do dispositivo quando usado com este filtro.

Para remover o filtro, puxá-lo para fora da unidade. Limpar a unidade do pó, assegurando que não entre pó na entrada de ar.

Inserir o novo filtro de novo em posição. (Fig. 7 / pág. 4) Empurrá-lo suavemente até que caiba bem no corpo da unidade.

Fechar a tampa do filtro. Preste especial atenção, a tampa do filtro irá encaixar quando devidamente fechada. Não tentar utilizar a unidade sopradora sem a tampa colocada correctamente.

6.2.4. Substituir o pré-filtro (Fig. 7 / pág. 4)

O pré-filtro é uma manga que é colocada sobre o filtro principal. Para remover / substituir basta puxar o filtro antigo e esticar o novo para a posição. É importante assegurar que o meio filtrante do filtro principal seja completamente coberto pelo pré-filtro.

6.2.5. Encaixar a mangueira no sistema PAPR:

Alinhar os pinos do conector de baioneta da mangueira com as ranhuras na saída de ar do sistema PAPR. Empurre o conector de baioneta para o soprador até que chegue ao fundo do orifício e depois torça para a direita até que os pinos de fixação se encaixem no devido local.

A fixação da mangueira no capacete é feita com o mesmo procedimento.

6.2.6. Colocar os máscara Böhler Guardian Air:

1. Coloque o casco dos capacetes de soldadura e ajuste o filtro de soldadura ao fato. (Consulte as instruções do capacete)
2. Levante o capacete para a sua posição superior.
3. Coloque por cima da cabeça e ajuste a roda da lingueta do casco empurrando-a e torcendo-a até atingir um ajuste satisfatório.
4. Puxe a proteção elástica do queixo para baixo e, ao mesmo tempo, puxe o capacete para baixo. Certifique-se de que a proteção elástica do queixo fica confortavelmente debaixo do queixo.
5. O máscara de soldadura está pronto a ser usado.

7. ANTES DE USAR

7.1 Inspeção antes de usar:

Antes de começar a trabalhar, verifique sempre se:

- » Todos os componentes estão em boas condições, sem danos visíveis (como buracos, desgaste, etc.) Substitua quaisquer peças danificadas ou gastas. Examine cuidadosamente a mangueira do ar, os vedantes e a peça do rosto.
- » Verifique se existe uma boa ligação entre a mangueira do ar e o máscara, bem como ao sistema PAPR.
- » Se existe caudal de ar suficiente. (Consultar o capítulo 7.2. Teste de caudal do ar)
- » O ar é fornecido através de todo o sistema PAPR do soprador para o capacete.
- » Carregue a bateria antes da primeira utilização e verifique se tem carga suficiente antes de todas as utilizações subsequentes. (Consultar o capítulo 7.3. Baterias)
- » **Certifique-se de que os alarmes estão a trabalhar correctamente (consultar o capítulo 8. Utilização)**

7.2. Teste de caudal do ar: (Fig. 4 / pág. 4)

1. Desligue a mangueira de ar do ventilador.
2. Introduza o indicador de caudal do ar no conector da mangueira de ar e mantenha a mangueira na posição vertical aproximadamente ao nível do olho.

3. Ligue a unidade à corrente. O caudal de ar só é suficiente se o indicador de bola atingir o nível de caudal mínimo. Se as descidas do indicador estiverem abaixo do nível de caudal mínimo, é necessário carregar a bateria ou substituir o filtro. Se o problema persistir, consulte o capítulo 10 para sugestões adicionais.

7.3. Baterias

NOTA! As baterias são fornecidas apenas parcialmente carregadas. Todas as baterias têm de ser carregadas antes de serem usadas pela primeira vez. A bateria pode ser carregada separadamente ou no soprador.



AVISO



É imperativo que o carregador de bateria utilizado para carregar o(s) produto(s) seja o que foi fornecido no momento da receção do(s) produto(s) e seja um carregador de baterias aprovado pelo fabricante. Usar qualquer outro carregador de baterias fará com que qualquer proteção da garantia fique inválida e/ou constituir um risco sério para a saúde do utilizador que opera o(s) produto(s) por incêndio ou explosão.

O carregador não pode ser usado para qualquer outro fim além daquele para o qual foi fabricado. Não carregue a bateria num ambiente potencialmente explosivo. O carregador de baterias destina-se unicamente a ser usado no interior. Tem de estar protegido contra humidade. O carregador controla o carregamento automaticamente. Depois de a bateria estar carregada, o carregador muda para o regime de carregamento de compensação e mantém a bateria totalmente carregada. O tempo de carregamento é de 4 a 6 horas.

7.3.1. Carregamento da bateria



AVISO



Verifique se a voltagem da corrente elétrica é a correta.

1. **Verifique se o carregador de bateria utilizado para carregar o(s) produto(s) é o que foi fornecido no momento da receção do(s) produto(s) e se é um carregador de baterias aprovado pelo fabricante. É essencial que só seja usado o carregador fornecido. Se tal não acontecer, pode ocorrer um risco sério de incêndio ou explosão.**
2. Ligue o carregador à tomada. Pode ser diretamente no soprador quando a bateria está colocada ou na bateria diretamente.
3. Ligue a bateria ao carregador. A tomada da bateria está posicionada no lado posterior.
4. O estado de carregamento é indicado por uma luz de diodo LED vermelha.
5. Quando o carregamento estiver concluído, o regime de carregamento por compensação é ativado: o diodo LED vermelho apaga-se e o diodo LED verde acende no momento do carregamento por compensação.
6. Desligue o carregador da corrente.

Não deixe o carregador de baterias ligado à corrente se não estiver a ser usado!

7.3.2. Substituição da bateria

Retirar a bateria:

Localize a lingueta da bateria. Puxe a lingueta da bateria para trás e, ao mesmo tempo, pode remover a bateria levantando-a para cima.

Colocar a bateria:

Certifique-se de que a bateria está devidamente posicionada para cima (como indicado em 6.2) e deslize-a para dentro do soprador até que a lingueta da bateria fique encaixada. É

essencial que a lingueta da bateria fique totalmente bloqueada. (Fig. 3 / pág. 4)

8. UTILIZAÇÃO

Ligue o ventilador premindo o botão ON/OFF no painel de controlo. O caudal de ar pode ser ajustado premindo os botões + /-, de 180l/min. até 220 l/min., e em seis velocidades. Os diodos LED verdes mostram o nível do caudal de ar real. Tenha em atenção que cada vez que premir os botões, tem de manter a pressão por 2 segundos para que a ação ocorra. Isto pretende evitar alterações acidentais. (Fig. 2 / pág. 4)

O Guardian Air garante um fornecimento de ar contínuo. O microprocessador no interior da unidade regula automaticamente a velocidade do motor para compensar a obstrução do filtro e o estado da bateria. Se o microprocessador não conseguir manter o caudal de ar, a unidade emitirá um alarme de "bip" (ouve-se um sinal sonoro), indicando que o utilizador tem de verificar o sistema PAPR. Se possível, o microprocessador reduz automaticamente o caudal de ar para o nível inferior seguinte, e se não conseguir atingir o nível inferior, o alarme soará. Quando o caudal de ar cai abaixo do nível de operação segura mínimo, um segundo alarme sonoro junta-se ao primeiro. Neste ponto, o utilizador tem de parar de trabalhar imediatamente, deixar o ambiente de trabalho e ir para uma área considerada segura e mudar o filtro ou recarregar/substituir a bateria.

Para verificar os alarmes, é necessário bloquear a saída de ar com a palma da mão ou por outro meio adequado. Quando o sistema PAPR é ligado, o motor tentará compensar aumentando a velocidade até que o microprocessador emita o alarme do modo descrito acima.

Para verificar a bateria: Ao ligar inicialmente a unidade, os LED da bateria piscarão a vermelho no painel de controlo e depois desligam-se. Se a luz permanecer ligada, isso é indicador de baixa bateria e que deve ser recarregada. Recomenda-se que se use sempre uma bateria completamente carregada ao iniciar um turno de trabalho.

Com uma bateria totalmente carregada, a unidade deve funcionar normalmente, mas se o alarme sonoro soar, o utilizador tem de substituir o filtro. Se o problema persistir, consulte o capítulo 10 para sugestões adicionais.

9. MANUTENÇÃO/LIMPEZA

O ventilador, o compartimento do filtro e o máscara têm de ser limpos regularmente para que se mantenham em bom funcionamento.

Para utilizadores individuais, as unidades podem ser todas limpas com um pano humedecido com água tédida e sabão. Para vários utilizadores, as unidades devem ser desinfetadas quando passadas de um utilizador para outro.

Não deve ser permitida a entrada de líquidos nas peças do sistema PAPR ou que entrem no elemento do filtro.

As peças devem secar ao ar. Em nenhuma circunstância devem ser usados solventes ou agentes de limpeza abrasivos. A unidade não pode ser seca usando ar quente ou calor radiante. O sistema PAPR deverá continuar a fornecer proteção para a especificação designada durante 2 ou 3 anos se for mantido de acordo com estas instruções. Antes de cada utilização, o utilizador deve verificar se o sistema PAPR está livre de defeitos, como fissuras, filtros e mangueiras quebrados, componentes dos visores e do máscara rachados, conforme apropriado.

10. DETEÇÃO DE PROBLEMAS

Se ocorrer uma alteração repentina no fornecimento de ar ao usar o sistema, é necessário verificar o seguinte:

- » Se todas as peças do sistema de fornecimento de ar estão montadas corretamente.
- » A bateria e o seu conector.
- » Se a bateria não tem problemas ou funciona mal
- » Os filtros e possíveis entupimentos
- » Se a mangueira de ar tem algum buraco.
- » Se o vedante do máscara não está danificado.
- » Se o tempo de funcionamento após um carregamento completo da bateria não diminuiu (se sim, é necessário substituir a bateria).

| PROBLEMA | RAZÃO PROVÁVEL | RECOMENDAÇÃO |
|---|--|---|
| O sistema PAPR não funciona de todo | <ul style="list-style-type: none"> » Bateria totalmente descarregada (verificar se o soprador funciona com outra bateria carregada) » Motor, painel de circuitos ou conector com problemas | <ul style="list-style-type: none"> » Carregar a bateria (se o problema persistir, verificar a bateria) » Contacte o seu fornecedor. |
| Caudal de ar baixo | <ul style="list-style-type: none"> » Mangueira ou conduta de ar bloqueada » Fuga » A bateria não está suficientemente carregada » Filtro ou pré-filtro bloqueado | <ul style="list-style-type: none"> » Verificar e remover o bloqueio. Verificar todos os vedantes, conectores e mangueira de ar. Certifica-te de que o ar não pode fugir por orifícios ou rasgões. » Carregar a bateria (se o problema persistir, verificar a bateria) » Substituir o pré-filtro. Depois, se o problema persistir, substituir o filtro principal. |
| Tempo de funcionamento curto | <ul style="list-style-type: none"> » Filtro entupido » A bateria não está adequadamente carregada | <ul style="list-style-type: none"> » Substituir os filtros » Carregar a bateria. (Se o problema persistir, verificar a bateria) |
| A bateria não pode ser carregada | <ul style="list-style-type: none"> » O contacto da bateria está danificado » O carregador está com problemas | <ul style="list-style-type: none"> » Verificar o contacto da bateria. » Contacte o seu fornecedor |
| A bateria não pode ser carregada o suficiente | <ul style="list-style-type: none"> » A bateria está gasta | <ul style="list-style-type: none"> » Instalar uma bateria nova. |

11. ARMAZENAMENTO E TRANSPORTE

Quando não está a ser usado ou durante o transporte, o ventilador e as unidades da cabeça devem ser armazenadas no recipiente onde foram fornecidos ou noutro semelhante, afastados de luz solar direta, sem estarem em contacto com solventes e onde não possam ser danificados por contacto físico com superfícies/objetos rígidos. Não armazenar fora do intervalo de temperatura de +0°C a +40°C ou com humidade relativa acima dos 75%.

12. LISTA DE SISTEMAS DE MASCARAS CERTIFICADAS

- 13 - Guardian 50M Air - 86669
- 13 - Guardian 50FM Air - 86682
- 13 - Guardian 62 Air - 57007
- 13 - Guardian 62F Air - 57029
- 14 - Big Vision Air - 73314

13. LISTA DE PEÇAS E ESQUEMA DE MONTAGEM (pág. 5)

- 1 - Guardian Air (conjunto de ventilador completo) - 86692
- 2 - Unidade de motor - 86668
- 3 - Filtro de partículas P R SL (4 und.) - 86645
- 4 - Pré-filtro (10 und.) - 86655
- 5 - Proteção contra faíscas - 86704
- 6 - Tampa do filtro - 86657
- 7 - Bateria padrão (5200 mAh) - 86660
- 7 - Bateria de elevada capacidade (7800 mAh) - 57075
- 8 - Carregador universal - 57081
- 9 - Mangueira de ar flexível com proteção de mangueira de ar - 57065
- 10 - Cinto de conforto - 57144
- 11 - Arnês para os ombros - 57146
- 12 - Verificador do caudal de ar - 57184
- 15 - Vedante facial do máscara - 57182
- 16 - Saco Böhler (azul) - 57186
- 16 - Saco Böhler (preto) - 86702

14. DADOS TÉCNICOS

O Guardian Air é um sistema PAPR leve e fácil de manusear. Está equipado com um filtro de partículas substituível. O sistema permite uma proteção fiável contra partículas e aerossóis.

- » Caudal de ar: 180 a 220 Litros/min. Com um caudal mínimo de 170 litros/min. para que o alarme dispare.
- » Peso com o filtro e a bateria: 870 gramas
- » Temperatura de funcionamento entre os 0°C e os +40°C
- » Tipo de filtro: P R SL
- » Tipo de bateria: Iões de lítio, substituível e recarregável, de 7,4 V / 5.200 mAh
- » Ciclos de carregamento >350 x
- » Alarme visual para voltagem da bateria baixa
- » Alarmes visuais e sonoros para caudal insuficiente (abaixo dos 170 l/min)
- » Fator de Proteção Nominal (Nominal Protection Factor = NPF) 500
- » Nível de ruído: 65 dB
- » Tempo de funcionamento superior a 8 horas com um caudal mínimo, com um filtro novo e a bateria totalmente carregada, num ambiente limpo. (6 horas com o caudal máximo). Em condições de uso reais, os tempos de funcionamento podem ser significativamente reduzidos dependendo do nível de contaminantes no ambiente.
- » **Nota! O tempo de funcionamento pode ser reduzido em caso de entupimento do filtro com a bateria carregada**

Certificação EN 12941:1998+A1:2003+A2:2008

Certificado por: APAVE SUDEUROPE SAS Notified Body 0082
13322 MARSEILLE
CEDEX 16
França

Este EPI cumpre as seguintes normas europeias aplicáveis:



EN 12941:1998+A1:2003+A2:2008
EN166B:2001
EN379:2003 +A1:2009 EN175B

Símbolos:

Consulte o manual de instruções do fabricante:



Armazenar entre 0° e 40°C
(Graus Celsius):



Armazenar até:



Armazenamento máximo
Humidade <75%:



Símbolos dos filtros:

R = significa que o filtro é reutilizável por mais do que uma vez

S = significa que o filtro protege contra partículas sólidas.

L = significa que o filtro protege contra partículas líquidas.

15. GARANTIA

O Guardian Air está coberto pela garantia por um período de 12 meses a partir da data de compra para defeitos mecânicos ou elétricos.

A bateria Böhler está coberta pela garantia por um período de 12 meses a partir da data de fabrico.

A voestalpine Böhler Welding assume a substituição ou reparação sem custos de qualquer peça que se considere defeituosa dentro deste período. Alternativamente, e a seu juízo, a voestalpine Böhler Welding poderá efetuar a sua substituição. Esta garantia está sujeita a:

O Guardian Air tenha sido usado unicamente para os fins a que se destina.

O Guardian Air não tenha sido sujeito a utilização inadequada, acidentes, modificação ou reparação.

Nota: Em caso de reclamação, contacte o revendedor ao qual adquiriu o Guardian Air.

Esta garantia não cobre o desgaste e a deterioração normais. Esta garantia não afeta os seus direitos legais.

Guardian Air

MANUAL DE UTILIZARE PENTRU SISTEME PAPR

Aprobat conform standardului BS EN 12941 : 1998 - A1:2003+A2:2008 TH3 - DISPOZITIV DE PROTECȚIE RESPIRATORIE - DISPOZITIV DE FILTRARE ELECTRIC, COMPATIBIL CU SERIA DE MĂȘTI DE SUDURĂ - CLASA TH3 P R SL

TRADUCEREA INSTRUCȚIUNILOR DE UTILIZARE

Producătorul își rezervă dreptul, în orice moment și fără o notificare prealabilă, de a efectua modificări și amendamente la aceste instrucțiuni de utilizare, în cazul în care acestea devin necesare din cauza unor greșeli de tipar, inexactități sau îmbunătățiri ale produsului. Cu toate acestea, astfel de modificări vor fi încorporate în edițiile ulterioare ale manualului de instrucțiuni.

Cele mai recente documente de produs, precum și toate detaliile de contact pentru **voestalpine Böhler Welding** pot fi găsite pe site-ul nostru web la: www.voestalpine.com/welding.

IMPORTANT !

Înainte de utilizarea echipamentului trebuie să citiți și să înțelegeți instrucțiunile din acest manual. Manualul de utilizare trebuie păstrat pentru a putea fi consultat în viitor.

INFORMAȚII OBLIGATORII PENTRU UTILIZAREA UNUI PURIFICATOR DE AER PENTRU RĂSPIRAȚIE, ALIMENTAT ELECTRIC FOLOSIT LA MASTILE DE SUDURA

Este obligatoriu ca aceste instrucțiuni să fie respectate cu strictețe în timpul utilizării/funcționării unui sistem PAPR (dispozitiv de purificarea a aerului pentru respirație, alimentat electric). Nerespectarea acestor instrucțiuni poate invalida orice drept de garanție oferit sau disponibil pentru acest produs. Consultați condițiile din contractul de achiziție a produsului (produselor) pentru detaliile specifice ale unei asemenea garanții.

Produsul (produsele) sunt concepute pentru a vă proteja sănătatea și bunăstarea. Nerespectarea acestor instrucțiuni poate afecta negativ sănătatea/bunăstarea dvs.

Vă rugăm să citiți cu atenție aceste instrucțiuni de utilizare înainte de a dezambala produsul/produsele.

Nu se oferă nicio recomandare cu privire la compatibilitatea acestui produs cu nevoile dvs. Dacă aveți întrebări cu privire la compatibilitatea acestui produs cu aplicațiile pentru care doriți să-l folosiți, contactați un specialist în igiena muncii.

Datele de contact pot fi găsite pe pagina 2.

CONTENTS

1. Introducere
2. Domeniu de aplicare
3. Aprobări
4. Cerințe preliminare de utilizare
5. Vedere generală a sistemului
6. Dezambalare/asamblare
7. Înainte de utilizare
8. Utilizare
9. Mentenanță/curățare
10. Detectarea defecțiunilor
11. Depozitare și transport
12. Lista sistemelor de măști certificate
13. Lista componentelor și schița de asamblare
14. Date tehnice
15. Garanție
- 16.

1. INTRODUCERE

Guardian Air este un sistem de protecție respiratorie bazat pe principiul circulației aerului suprapresurizat prin mască. Aerul furnizat de suflanta montată pe curea trece printr-un filtru și printr-un furtun de aer și ajunge în mască. Furnizarea de aer filtrat creează o presiune pozitivă în interiorul măștii, ceea ce împiedică pătrunderea aerului contaminat din exterior în zona de respirație a utilizatorului.

2. DOMENIU DE APLICARE

Sistemul PAPR este compatibil cu toate aplicațiile în care certificarea EN12941 este acceptabilă. Unitatea nu este compatibilă cu sudarea în spații limitate. (Vezi 4. Cerințe preliminare de utilizare)

3. APROBĂRI

Guardian Air a fost proiectat și fabricat în conformitate cu standardul SR EN 12941:1998 - A1:2003+A2:2008 ca dispozitiv TH3 P R SL.

În BS4275 (Ghid pentru implementarea unui program eficient de protecție respiratorie), pe care utilizatorul este sfătuit să îl citească, se stabilește că un dispozitiv EN12941 TH3 P RSL oferă un factor de protecție nominală de 500.

Sistemul PAPR poate oferi acest nivel de protecție numai dacă este utilizat cu filtre furnizate de producător marcate „Böhler” și „EN12941: 1998 TH3P R SL”.

Măștile de sudură sunt certificate conform EN 175 B.

Sistemele PAPR sunt fabricate conform Sistemului de calitate ISO 9001:2000.

4. CERINȚE PRELIMINARE DE UTILIZARE

Pentru furnizarea sistemului Guardian Air trebuie să se respecte cu strictețe acest manual de utilizare și instrucțiunile livrate împreună cu masca.

Utilizatorul trebuie să citească și să înțeleagă toate „Instrucțiuni de utilizare” de mai jos pentru a putea folosi corect sistemul de protecție respiratorie. Pentru întrebări, adresați-vă la punctele de contact ale producătorului menționate la pagina 2.

Atunci când sistemul PAPR este dezactivat, protecția respiratorie se reduce sau dispare. Atunci când sistemul PAPR este oprit, se poate produce o acumulare rapidă de dioxid de carbon și consumarea oxigenului în mască, de aceea **este esențial să nu se folosească suflanta atunci când sistemul este oprit.**

GUARDIAN AIR NU TREBUIE UTILIZAT:

- » În atmosfere cu pericol iminent pentru igiena sau sănătatea utilizatorului și care au un conținut de oxigen mai mic de 19,5% sau conțin substanțe necunoscute.
- » În spații închise sau zone neventilate, ca de exemplu rezervoare, conducte, canale etc.
- » Aproape de flăcări și/sau scântei
- » În zone cu pericol de explozie
- » În zone cu vânt puternic.
- » Dacă suflanta încetează să funcționeze, utilizatorul trebuie să părăsească imediat zona contaminată.

DE ASEMENEA, ESTE ESENȚIAL SĂ:

- » Nu se atingă componentele mobile cu nici un obiect.
- » Nu se modifice sau altereze în nici un fel sistemul PAPR.
- » Se împiedice pătrunderea apei sau a altor lichide în unitate - în special în motor, ventilator, filtru și baterie.

Asigurați-vă că masca se potrivește perfect pe fața utilizatorului. Doar dacă sunt respectate aceste cerințe se asigură eficiența sistemului. Factorul de protecție al întregului sistem se reduce dacă masca nu se mulează complet pe față, de exemplu datorită bărbii sau părului lung, care împiedică etanșarea.

Există posibilitatea ca furtunul măștii să poată fi prins în timpul utilizării. Sistemul PAPR trebuie plasat pe capul utilizatorului astfel încât să se reducă această posibilitate.

Filtrele nu pot fi montate direct pe mască și nu trebuie adaptate în acest sens.

Nu se poate asigura o protecție respiratorie corectă dacă una dintre componentele echipamentului este modificată în orice fel.

La viteze de lucru foarte mari, presiunea în sistemul PAPR poate deveni negativă la debitul maxim de inhalare. Dacă există dubii, utilizatorul trebuie să consulte personalul responsabil de sănătatea și securitatea muncii (SSM) pentru evaluarea riscului.

Sistemele PAPR pot fi utilizate numai de personal competent și instruit.

ATENȚIE!

Nerespectarea oricăreia dintre aceste cerințe conduce la pierderea automată a dreptului de garanție.

UTILIZATORUL ESTE SFĂTUIT SĂ PĂRĂSEASCĂ IMEDIAT ZONA CONTAMINATĂ DACĂ:

- » Se aude alarma care avertizează asupra debitului nominal minim (DNM) al sistemului.
- » Se îngreunează respirația.
- » Apar amețeli sau alte neplăceri
- » Se deteriorează oricare dintre componentele sistemului.
- » Fluxul de aer în mască se reduce sau se oprește.
- » În interiorul măștii apare mirosul sau gustul substanței contaminante.
- » Materialele care pot intra în contact cu pielea utilizatorului nu sunt cunoscute ca fiind alergeni în general, dar în cazul puștin probabil al apariției unei reacții alergice, utilizatorul trebuie să părăsească imediat zona contaminată, să îndepărteze unitatea și să solicite asistență medicală.

5. PREZENTAREA GENERALĂ A SISTEMULUI

Guardian Air este dispozitiv pentru respirație alimentat electric montat pe curea, echipat cu un sistem eficient de filtrare a particulelor de unică folosință. Sistemul este certificat pentru măștile specificate în secțiunea 10 și este compatibil cu circumferințe ale capului între 535 și 600 mm. Sistemul PAPR conține o baterie reîncărcabilă cu durată de 8 ore. (8 ore într-un mediu curat; în fabrică această durată se poate reduce semnificativ în funcție de conținutul de particule din atmosferă)

Guardian Air avertizează utilizatorul, prin intermediul unei alarme sonore și a unor LED-uri intermitente atunci când nu se atinge DNM de 170 l/min.

Dacă alarma se declanșează în timpul funcționării, utilizatorul trebuie să părăsească imediat zona de lucru și să se îndrepte spre zona de siguranță prevăzută. Sistemul PAPR este prevăzut cu o alarmă vizuală care semnalizează nivelul bateriei și o alarmă combinată, sonoră și vizuală, care semnalizează un filtru blocat. În funcție de defecțiune, utilizatorul trebuie să înlocuiască filtrul cu unul nou (în medii foarte prăfuite, filtrul trebuie schimbat frecvent) și să reîncarce sau să schimbe bateria cu una complet încărcată. Utilizatorul poate reveni la locul de muncă numai după ce sistemul PAPR funcționează cu alarma oprită și debit acceptabil.

Filtrul a fost proiectat special pentru această unitate. Acesta are rolul de a filtra aerul pe care îl va respira utilizatorul. Este esențial ca utilizatorul să verifice filtrul pentru a detecta eventuale semne de deteriorare sau care ar putea lăsa aerul contaminat să pătrundă în sistem. Filtrul trebuie eliminat dacă este deteriorat sau dacă este blocat astfel încât să poată declanșa o alarmă.

Bateria reîncărcabilă detașabilă folosită este o celulă cu ioni de litiu. Este posibil ca, la furnizare, bateria să fie slab încărcată. În acest caz, sistemul PAPR trebuie să funcționeze până la descărcarea acesteia, iar apoi să fie încărcată timp de șaisprezece ore înainte de prima utilizare.

6. DEZAMBALARE/ASAMBLARE

6.1. Dezambalare

Verificați dacă pachetul este complet și că nicio componentă nu a fost deteriorată în timpul transportului sau din alte motive.

Un pachet cu sistemul complet PAPR, inclusiv accesorii, conține:

- » Un aparat Guardian Air incl. baterie și filtru și pre-filtru P R SL
- » Curea
- » Furtun de aer
- » Indicator al debitului de aer
- » Încărcător baterie
- » Instrucțiuni de utilizare

6.2. Asamblare

Atașați suflanta pe curea: Treceți breteaua interioară prin partea din spate a buclelor suflantei. Trecerea prin buclele curelei și apoi prin cotaramă. (Fig. 1 / p. 4)

Instalați bateria la suflantă. (Fig. 3 / p. 4)

6.2.1. Reglarea centurii pentru mijloc:

Puneți cureaua în jurul taliei cu sistemul PAPR în spate și uniți capetele.

Dacă cureaua este prea largă, glisați dispozitivul de ajustare tată în jos, spre jumătatea mamă. Dacă cureaua este prea strânsă: glisați dispozitivul de ajustare tată astfel încât să se îndepărteze de cel mamă.

Repetăți procesele de mai sus până când obțineți o fixare comodă și sigură. După ce ați reglat cureaua, fixați lungimea excesivă a acesteia trecând-o prin bucle. (Fig. 5 / p. 4)

6.2.2. Filtrul de particule

Folosii numai filtre marcate Böhler, furnizate de Voestalpine Böhler Welding. Utilizarea oricăror altor filtre conduce la pierderea dreptului de garanție și/sau apariția unui risc grav pentru sănătatea utilizatorului produsului.

Consultați în prealabil un specialist în igiena muncii sau sunați la linia de asistență tehnică a producătorului pentru a stabili dacă filtrul Böhler vă va asigura o protecție adecvată în caz de pericol.

Guardian Air este echipat cu filtre de particule de înaltă eficiență din clasa P R SL.

Imediat ce sună alarma de avertizare, pre-filtrul trebuie schimbat sau verificat. În zonele foarte prăfuite, poate fi necesar să faceți acest lucru în mod frecvent.

Filtrele trebuie verificate (vezi 7.2. Testul debitului de aer) și înlocuite regulat. Filtrele sunt de unică folosință și nu trebuie curățate/reutilizate.

Asigurați-vă că noile filtre sunt neutilizate, neexpirate și nu prezintă defecte vizibile.

Din punct de vedere igienic, durata maximă de viață utilă a unui filtru principal este de 2 săptămâni sau 90 de ore, care se produce mai întâi, și nu trebuie depășită.

AVERTISMENT!

Este esențial să nu se confunde marcajele de pe filtru conform oricărui alt standard în afară de EN12941 1998 -A1:2003+A2:2008, cu clasificarea dispozitivului atunci când este utilizat cu acest filtru.

6.2.3. Îndepărtarea filtrului uzat și montarea celui nou

Deschideți capacul filtrului trăgând capacul spre exterior din partea dreaptă a suflantei. (Fig. 6 / p. 4)

ATENȚIE! Este strict interzisă utilizarea oricăror unelte pentru a deschide capacul filtrului.

Pentru a scoate filtrul, trageți-l în afara unității. Curățați unitatea de praf asigurându-vă că nu intră praf în intrarea de aer.

Introduceți noul filtru înapoi în poziție. (Fig. 7 / p. 4) Împingeți-l ușor înăuntru până când se potrivește bine pe corpul unității.

Închideți capacul filtrului. Aordați o atenție deosebită, capacul filtrului se va fixa în poziție atunci când este închis corect. Nu încercați să folosiți unitatea de suflare fără ca capacul să fie montat corect.

6.2.4. Înlucuirea pre-filtrului (Fig. 7 / p. 4)

Prefiltrul este un manșon care se montează peste filtrul principal. Pentru a-l scoate / înlocui, pur și simplu scoateți filtrul vechi și întindeți-l pe cel nou în poziție. Este important să vă asigurați că mediul filtrant al filtrului principal este complet acoperit de pre-filtru.

6.2.5. Cuplarea furtunului la sistemul PAPR:

Aliniați pinii conectorului baionetă al furtunului cu fantele din ieșirea de aer a sistemului PAPR. Împingeți conectorul baionetă în suflantă până ajunge în fundul orificiului și apoi rotiți în sensul acelor de ceasornic până când pinii de ghidare se fixează în locaș.

Pentru cuplarea furtunului la mască se aplică aceeași procedură.

6.2.6. Plasarea măștilor Böhler Guardian Air:

1. Reglați masca și apoi ajustați filtrul de sudură astfel încât să se potrivească. (Consultați instrucțiunile de utilizare a măștii.)
2. Ridicați masca în poziția de sus.
3. Poziționați-o deasupra capului și reglați roțița cu clichet, împingând-o și răsucindu-o până când este suficient de etanșă.
4. Trageți în jos protecția elastică a bărbiei și trageți în același timp și masca în jos. Asigurați-vă că protecția elastică este situată confortabil sub bărbie.
5. Masca de sudură este acum gata de folosire.

7. ÎNAINTE DE UTILIZARE

7.1 Verificări înainte de utilizare:

Înainte de a începe lucrul, verificați dacă:

- » Toate componentele sunt în stare bună, fără defecte vizibile (găuri, fisuri etc.). Înlocuiți toate componentele deteriorate sau uzate. Examinați cu atenție furtunul de aer, etanșările și piesa frontală.
- » Există o conexiune bună între furtunul de aer și masca, precum și sistemul PAPR.
- » Există un debit de aer suficient. (vezi 7.2. Testul debitului de aer)
- » Aerul trece prin întregul sistem PAPR, de la suflantă până la mască.
- » Încărcați bateria înainte de prima utilizare și verificați dacă este încărcată suficient înainte de fiecare utilizare ulterioară. (vezi 7.3. Baterii)
- » **Asigurați-vă că alarmele funcționează corect (vezi 8. Utilizare)**

7.2. Testul debitului de aer: (Fig. 4 / p. 4)

6. Deconectați furtunul de aer de la suflantă.
1. Introduceți indicatorul de debit în conectorul furtunului de aer și mențineți furtunul în poziție verticală, aproximativ la nivelul ochilor.
2. Porniți unitatea. Fluxul de aer este suficient doar dacă indicatorul cu bilă indică nivelul minim al debitului. Dacă indicatorul se află sub nivelul minim al debitului, trebuie să încărcați bateria sau să schimbați filtrul. Dacă problema persistă, consultați capitolul 10 pentru informații suplimentare.

7.3. Baterii

NOTĂ ! Bateriile sunt livrate încărcate numai parțial. Toate bateriile trebuie încărcate înainte de prima utilizare. Bateria poate fi încărcată separat sau pe suflantă.



Este obligatoriu ca produsul (produsele) să fie încărcat cu încărcătorul livrat împreună cu acesta și să fie un încărcător aprobat de producător. Utilizarea oricărui alt încărcător conduce la pierderea dreptului de garanție și/sau apariția unui risc grav pentru sănătatea utilizatorului produsului, cauzat de eventuale incendii sau explozii.

Încărcătorul nu trebuie utilizat în alt scop decât cel pentru care a fost fabricat. Nu încărcați bateria în atmosferă potențial explozivă. Încărcătorul de baterii este destinat utilizării în interior. Încărcătorul trebuie protejat de umezeală. Încărcătorul controlează încărcarea în mod automat. După ce bateria a fost încărcată, încărcătorul trece în regimul de încărcare intermitentă pentru a menține bateria complet încărcată. Durata încărcării este de 4 - 6 ore.

7.3.1. Încărcarea bateriei



1. Verificați dacă tensiunea de alimentare electrică este corectă.
2. **Verificați dacă încărcătorul de baterii utilizat pentru încărcarea produsului este cel livrat împreună cu acesta și este aprobat de producător. Este esențial să se folosească numai încărcătorul furnizat. Nerespectarea acestui lucru poate provoca un risc grav de incendiu sau explozie.**
3. Introduceți încărcătorul în priză. Fie direct în suflantă, când se montează bateria, fie direct în baterie.
4. Conectați bateria la încărcător. Priza bateriei este poziționată în partea din spate.
5. Starea de încărcare este indicată cu ajutorul unei lămpi LED roșie.
6. După finalizarea încărcării, încărcătorul trece în regimul de încărcare intermitentă: - lampa LED roșie se stinge, lampa LED verde se aprinde în momentul încărcării intermitente.
7. Deconectați încărcătorul de la sursa de alimentare.

Nu lăsați încărcătorul în baterie dacă nu este folosit!

7.3.2. Înlocuirea bateriei

Scoaterea bateriei.

Localizați compartimentul bateriilor. Trageți înapoi capacul compartimentului; bateria poate fi scoasă trăgând-o în sus.

Instalarea noii baterii:

Asigurați-vă că bateria este corect poziționată (conform 6.2) și apoi introduceți-o în suflantă până când rămâne fixată în poziție. Este esențial ca bateria să rămână bine fixată. (Fig. 3 / p. 4)

8. UTILIZARE

Porniți suflanta apăsând butonul ON / OFF de pe panoul de control. Debitul de aer poate fi reglat apăsând butoanele + / - între 180 l/min și 220 l/min, în șase trepte de viteză. Lămpile LED verzi indică nivelul actual al debitului de aer. Vă rugăm să

rețineți că, la fiecare apăsare a butoanelor, trebuie să le mențineți apăsat timp de 2 secunde pentru ca acțiunea să se producă. Astfel se previn schimbări accidentale. (Fig. 2 / p. 4)

Guardian Air asigură un debit de aer constant. Microprocesorul din interiorul unității reglează automat viteza motorului pentru a compensa blocarea filtrului și starea bateriei. Dacă microprocesorul nu poate menține debitul de aer reglat, unitatea va emite un „beep” de alarmă (se aude un semnal acustic), moment în care utilizatorul trebuie să verifice sistemul PAPR. Dacă este posibil, microprocesorul reduce automat debitul de aer la următorul nivel inferior, iar dacă nu atinge nivelul inferior, alarma va continua să se audă. Dacă debitul de aer scade sub nivelul minim de funcționare în siguranță, se declanșează o a doua alarmă acustică. În acest moment, utilizatorul trebuie să înceteze imediat lucrul, să părăsească zona de lucru, să se îndrepte spre zona de siguranță prevăzută și să schimbe filtrul sau să reîncarce/schimbe bateria.

Pentru a verifica alarmele este necesar să blocați ieșirea de aer cu palma sau cu un alt mijloc adecvat. Apoi, cu sistemul PAPR pornit, motorul va încerca să compenseze crescând viteza până când microprocesorul declanșează alarma, așa cum se descrie mai sus.

Pentru a verifica bateria: La prima pornire a unității, LED-ul bateriei se va aprinde roșu pe panoul de control, apoi se va stinge. Dacă rămân aprins, indică un nivel de încărcare scăzut al bateriei, prin urmare trebuie încărcată. Este recomandat să se utilizeze numai o baterie complet încărcată la începerea unei ture.

Dacă bateria este complet încărcată, unitatea trebuie să funcționeze normal, iar dacă alarma sonoră continuă să sune, utilizatorul trebuie să schimbe filtrul. Dacă problema persistă, consultați capitolul 10 pentru informații suplimentare.

9. MENTENANȚĂ/CURĂȚARE

Suflanta, carcasa filtrului și masca trebuie curățate în mod regulat pentru a le menține în stare de funcționare bună.

În cazul unui singur utilizator, unitățile pot fi curățate cu o cârpă umezită cu apă caldă și săpun cald.

În cazul mai multor utilizatori, unitățile trebuie dezinfectate atunci când sunt transmise de la un utilizator la altul.

Trebuie să se prevină pătrunderea lichidelor în sistemul PAPR sau în elementul filtrant.

Componentele trebuie lăsate să se usuce la aer. În niciun caz nu trebuie folosiți solvenți sau agenți de curățare abrazivi. Unitatea nu trebuie uscată folosind aer cald sau căldură radiantă. Sistemul PAPR asigură protecție timp de 2 până la 3 ani, atunci când este întreținut conform acestor instrucțiuni. Înainte de fiecare utilizare, utilizatorul trebuie să se asigure că sistemul PAPR nu prezintă defecțiuni, cum ar fi fisuri, filtre și furtunuri sparte, viziere sau componente ale măștii crăpate, etc.

10. IDENTIFICAREA DEFECȚIUNILOR

Dacă alimentarea cu aer se modifică brusc în timpul utilizării sistemului, trebuie să verificați următoarele:

- » Că toate componentele sistemului de alimentare cu aer sunt asamblate în mod corespunzător.
- » Bateria și conectorul acesteia
- » Funcționarea bateriei
- » Filtrele (dacă sunt înfundate)
- » Dacă există găuri în furtunul de aer
- » Dacă etanșarea măștii este intactă
- » Dacă durata de funcționare după încărcarea completă a bateriei nu a scăzut (dacă a scăzut, înlocuiți bateria).

| EROARE | CAUZĂ POSIBILĂ | SOLUȚIE |
|-------------------------------------|---|--|
| Sistemul PAPR nu funcționează deloc | <ul style="list-style-type: none"> » Baterie complet descărcată (verificați dacă suflanta funcționează cu o altă baterie încărcată) » Motor, placă electronică sau conector defecte | <ul style="list-style-type: none"> » Încărcați bateria (dacă problema persistă, verificați bateria) » Contactați furnizorul. |
| Debit redus | <ul style="list-style-type: none"> » Furtun de aer sau conductă de aer blocate » Scurgeri » Bateria nu este încărcată suficient » Filtru sau pre-filtru blocat | <ul style="list-style-type: none"> » Verificați și eliminați blocajul Verificați toate garniturile, conectorii și furtunul de aer. Asigurați-vă că aerul nu poate ieși prin găuri sau fisuri. » Încărcați bateria (dacă problema persistă, verificați bateria) » Înlocuiți pre-filtrul Dacă problema persistă, schimbați filtrul principal. |
| Timp de operare scurt | <ul style="list-style-type: none"> » Filtru înfundat » Bateria nu este încărcată corect | <ul style="list-style-type: none"> » Înlocuiți filtrele » Încărcați bateria. (Dacă problema persistă, verificați bateria) |
| Bateria nu se încarcă | <ul style="list-style-type: none"> » Contactul bateriei defect » Încărcător defect | <ul style="list-style-type: none"> » Verificați contactul bateriei. » Contactați furnizorul |
| Bateria nu se încarcă suficient | <ul style="list-style-type: none"> » Bateria este uzată | <ul style="list-style-type: none"> » Instalați o baterie nouă |

11. DEPOZITARE ȘI TRANSPORT

Dacă nu sunt utilizate sau în timpul transportului, suflantele și capetele trebuie păstrate în containerul în care au fost furnizate sau în alt recipient similar, astfel încât acesta să fie ferit de lumina solară directă, să nu intre în contact cu solvenți și să nu poată fi deteriorat de contactul fizic cu suprafețe/elemente dure. Nu depozitați în locuri cu temperaturi sub + 0 ° C sau peste + 40 ° C sau cu umiditate mai mare de 75%.

12. HELMETS SYSTEMS CERTIFIED (p. 5)

- 13 - Guardian 50M Air - 86669
- 13 - Guardian 50FM Air - 86682
- 13 - Guardian 62 Air - 57007
- 13 - Guardian 62F Air - 57029
- 14 - Big Vision Air - 73314

13. LISTA COMPONENTELOR ȘI SCHIȚA DE ASAMBLARE (p. 5)

- 1 - Guardian Air (set suflantă complet) - 86692
- 2 - unitatea motorului - 86668
- 3 - filtru de particule P R SL (4 buc.) - 86645
- 4 - pre-filtru (10 buc.) - 86655
- 5 - protecție scânteii - 86704
- 6 - capac filtru - 86657
- 7 - baterie standard (5,200mAh) - 86660
- 7 - baterie puternică (7,800mAh) - 57075
- 8 - încărcător universal - 57081
- 9 - furtun flexibil de aer incl. protecție - 57065
- 10 - curea confort - 57144
- 11 - ham de umăr - 57146
- 12 - debitmetru - 57184
- 15 - cască etanșă pentru față - 57182
- 16 - geantă Böhler (albastru)- 57186
- 16 - geantă Böhler (negru)- 86702

14. DATE TEHNICE

Guardian Air este un sistem PAPR cu greutate foarte redusă și ușor de manevrat. Este echipat cu un filtru de particule de unică folosință. Sistemul oferă o protecție fiabilă împotriva particulelor și aerosolilor.

- » Debit de aer: 180 - 220 litri/ minut, cu un minim de declanșare a alarmei sonore la 170 litri/minut.
- » Greutate (inclusiv filtru și baterie): 870 grame
- » Temperatură de lucru: între 0 °C și +40 °C
- » Tip filtru: P R SL
- » Tip baterie: Li-Ion 7.4 V / 5.200 mAh reîncărcabilă și interschimbabilă
- » Cicluri de încărcare >350 r
- » Alarmă vizuală pentru baterie descărcată
- » Alarmă vizuală și sonoră pentru debit insuficient (sub 170 l/min)
- » Factor de protecție nominală (Nominal Protection Factor = NPF) 500
- » Nivel de zgomot: 65 dB
- » Durată de funcționare: peste 8 ore cu debit minim, filtru nou și baterie complet încărcată, într-un mediu curat. (6 ore cu debit maxim.) Durata de funcționare se poate reduce semnificativ în funcție de nivelul de contaminanți din mediu.
- » **Notă! Durata de funcționare se poate reduce în cazul unui filtru înfundat cu baterie încărcată.**

Certificare EN 12941:1998+A1:2003+A2:2008

Certificat de: APAVE SUDEUROPE SAS Organism notificat 0082
13322 MARSEILLE
CEDEX 16
Franța

Acest dispozitiv PPE respectă următoarele standarde UE aplicabile:



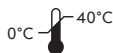
EN 12941:1998+A1:2003+A2:2008
EN166B:2001
EN379:2003 +A1:2009 EN175B

Simboluri:

Consultați manualul de instrucțiuni al fabricantului



A se păstra la temperaturi de 0-40°C (Grade Celsius)



Termen de depozitare:



Termen maxim de depozitare
Umiditate <75%:



Simboluri pe filtru:

R = înseamnă că filtrul este reutilizabil pentru mai mult de o tură

S = înseamnă că filtrul protejează de particule solide.

L = înseamnă că filtrul protejează de particule lichide.

15. GARANȚIE

Guardian Air are o garanție de 12 luni de la data achiziționării, care acoperă defecțiunile mecanice sau electrice.

Bateria Böhler are o garanție de 12 luni de la data fabricației.

voestalpine Böhler Welding se angajează să schimbe sau să repare gratuit orice componentă care se defectează în această perioadă. În mod alternativ, și la libera sa alegere, voestalpine Böhler Welding poate înlocui componentele defecte.

Această garanție este supusă următoarelor condiții: Aparatul Guardian Air a fost utilizat exclusiv în scopul pentru care este destinat.

Aparatul Guardian Air nu a fost folosit în mod incorect și nu a suferit modificări sau reparații.

În caz de reclamație, contactați distribuitorul de la care a fost achiziționat aparatul Guardian Air.

Această garanție nu acoperă uzura normală și nici fisurile.

Această garanție nu vă afectează drepturile legale.

Система Guardian Air

РУКОВОДСТВО ПО ЭКСПЛУАТАЦИИ СИСТЕМ ЭВР

Утверждено в соответствии с BS EN 12941 : 1998 - A1:2003+A2:2008 TH3 - РЕСПИРАТОРНОЕ ЗАЩИТНОЕ УСТРОЙСТВО - ЭЛЕКТРОПРИВОДНОЙ ВОЗДУХООЧИСТИТЕЛЬНЫЙ РЕСПИРАТОР, ВКЛ. СЕРИЮ ЗАЩИТНЫХ СВАРОЧНЫХ МАСОК КЛАСС ЗАЩИТЫ TH3 P R SL

ПЕРЕВОД ИНСТРУКЦИИ ПОЛЬЗОВАТЕЛЯ

Производитель оставляет за собой право в любое время и без предварительного уведомления вносить в данное руководство изменения и дополнения, которые являются необходимыми в связи с опечатками, неточностями или усовершенствованием продукции. Данные изменения будут включены в последующие издания руководства.

Последние редакции наших документов по продукции, а также все контактные данные компании **voestalpine Böhler Welding** можно найти на нашем сайте по адресу: www.voestalpine.com/welding.

ВАЖНАЯ ИНФОРМАЦИЯ!

Перед началом использования данного оборудования необходимо ознакомиться и усвоить содержание настоящего Руководства по эксплуатации. Руководство по эксплуатации должно быть всегда в наличии для использования в дальнейшей работе.

ОБЯЗАТЕЛЬНАЯ ИНФОРМАЦИЯ ДЛЯ ПРИМЕНЕНИЯ ЭЛЕКТРОПРИВОДНОГО ВОЗДУХООЧИСТИТЕЛЬНОГО РЕСПИРАТОРА С ЗАЩИТНЫМИ МАСКАМИ

При использовании/эксплуатации системы ЭВР (электроприводного воздухоочистительного респиратора) крайне важно неукоснительно соблюдать настоящие инструкции для пользователей. Несоблюдение этих инструкций может привести к аннулированию гарантийных обязательств, предусмотренных или предоставляемых покупателю фирмой-изготовителем в отношении данного устройства. Детали такой гарантийной поддержки указаны в условиях вашего договора купли-продажи данного устройства.

Данное устройство предназначено для защиты вашего здоровья. Несоблюдение этих инструкций по эксплуатации может также оказать отрицательное влияние на ваше здоровье.

Перед распаковкой вашего устройства просьба внимательно ознакомиться с содержанием настоящих инструкций.

Какие-либо рекомендации относительно пригодности данного изделия для ваших нужд отсутствуют. Если у вас есть какие-либо вопросы относительно пригодности данного изделия для выполнения ваших производственных задач, следует проконсультироваться со специалистом по гигиене труда.

Контактная информация и адрес указаны на странице 2.

СОДЕРЖАНИЕ

1. Введение
2. Область применения
3. Одобрения
4. Исходные данные для применения
5. Обзор системы
6. Распаковка / сборка
7. Перед использованием
8. Применение
9. ТО/очистка
10. Диагностика неисправностей
11. Хранение и транспортировка
12. Список сертифицированных систем защитных масок
13. Перечень деталей и сборочный чертеж
14. Технические данные
15. Гарантия

1. ВВЕДЕНИЕ

Guardian Air представляет собой систему защиты органов дыхания, работающую по принципу циркуляции сжатого воздуха в маске. Закрепленное на поясе воздуходувное устройство обеспечивает подачу воздуха через фильтр и воздушный шланг в область маски. При подаче фильтрованного воздуха внутри маски создается положительное давление, благодаря чему предотвращается попадание внешнего загрязненного воздуха в область дыхания оператора.

2. ОБЛАСТЬ ПРИМЕНЕНИЯ

Система ЭВР подходит для всех сфер применения, на которые распространяется сертификация EN12941. Система не предназначена для использования при выполнении сварочных работ в ограниченном пространстве. (См Раздел 4. «Исходные условия для использования»)

3. ОДОБРЕНИЯ

Система Guardian Air разработана и изготовлена в соответствии с нормами EN12941: 1998 - A1:2003+A2:2008 в качестве устройства класса TH3 P R SL.

Нормы BS4275 (Руководство по внедрению эффективной программы защиты органов дыхания), с которыми рекомендуется ознакомиться оператору оборудования, определяют устройство типа EN12941 TH3 P R SL в качестве системы с Номинальный коэффициент защиты 500.

Система ЭВР обеспечивает данный уровень защиты только при использовании с фильтрами, поставляемыми производителем с маркировкой «Böhler» и «EN12941:1998 TH3P R SL».

Защитные сварочные маски сертифицированы в соответствии с нормами EN 175B.

Системы ЭВР изготавливаются в соответствии с требованиями системы обеспечения качества ISO 9001:2000.

4. ИСХОДНЫЕ ДАННЫЕ ДЛЯ ПРИМЕНЕНИЯ

Система Guardian Air должна использоваться строго в соответствии с настоящим Руководством по эксплуатации, а также с инструкциями для соответствующей защитной маски.

Оператор должен ознакомиться с содержанием всех приведенных ниже «Инструкций по применению» и усвоить их для обеспечения правильной эксплуатации системы защиты органов дыхания. По любым вопросам следует обращаться в контактные центры фирмы-изготовителя, указанные на стр. 2.

При отключенной системе ЭВР следует ожидать значительное понижение уровня защиты органов дыхания или ее полное отсутствие. При отключенной системе ЭВР внутри защитной маски происходит ускоренный процесс снижения содержания кислорода и накопления углекислого газа, **вследствие чего крайне важно в данном режиме избегать использования воздушного устройства.**

НЕ ДОПУСКАЕТСЯ ПРИМЕНЕНИЕ СИСТЕМЫ GUARDIAN AIR:

- » В условиях непосредственной опасности для гигиены или здоровья оператора и/или при уровне кислорода в окружающем воздухе менее 19,5%, или при наличии в нем неизвестных веществ.
- » В замкнутых пространствах или помещениях без систем вентиляции, таких как резервуары, трубопроводы, каналы и т.д.
- » Вблизи открытого пламени и/или искровых источников;
- » Во взрывоопасных помещениях;
- » В зонах с повышенной ветровой нагрузкой.
- » Если воздушное устройство по какой-либо причине перестает функционировать, оператор должен немедленно покинуть загрязненную зону.

ТАКЖЕ КРАЙНЕ ВАЖНО ОБЕСПЕЧИТЬ ВЫПОЛНЕНИЕ СЛЕДУЮЩИХ УСЛОВИЙ:

- » Предотвращать любые контакты с подвижными компонентами.
- » Исключить любые попытки внесения изменений или модификации системы ЭВР или фильтра.
- » Исключить любую вероятность попадания воды или прочих жидкостей в систему – в частности, в двигатель, вентилятор, фильтр или аккумуляторную батарею.

Обеспечить точную посадку защитной маски на голову пользователя. Только при соблюдении всех указанных условий эффективность системы обеспечивается в достаточной степени. Степень защиты всей системы уменьшается при недостаточно плотном прилегании маски к лицу, например, если борода или длинные волосы создают помехи плотной посадке.

Существует также вероятность перегибов и застревания воздухоподводящего шланга в область маски при использовании. Система ЭВР должна быть расположена на пользователе таким образом, чтобы максимально снизить такую вероятность возникновения этой проблемы.

Фильтры не предназначены для установки непосредственно на воздухоподводящего шланга в область маски при и не приспособлены для этого.

При самостоятельном внесении любых изменений в конструкцию каких-либо компонентов оборудования снижается эффективность всей системы защиты органов дыхания.

В интенсивных режимах работы давление в системе ЭВР может стать отрицательным на максимальной скорости вдоха. При наличии каких-либо сомнений оператору следует получить соответствующие консультации у местных специалистов по технике безопасности и охране труда, а также выполнить соответствующий анализ степени риска.

Системы ЭВР предназначены для использования только квалифицированным персоналом с соответствующим уровнем подготовки.

ВНИМАНИЕ!

При несоблюдении любого из указанных условий гарантия на оборудование автоматически аннулируется.

ОПЕРАТОРУ НАДЛЕЖИТ НЕЗАМЕДИТЕЛЬНО ПОКИНУТЬ ЗАГРЯЗНЕННУЮ РАБОЧУЮ ЗОНУ В СЛЕДУЮЩИХ СЛУЧАЯХ:

- » При срабатывании сигнализации минимального расчетного притока воздуха (МРПВ).
- » При затрудненном дыхании
- » При головокружении или утомлении
- » При повреждении каких-либо компонентов системы
- » При уменьшении или прекращении подачи воздуха в область защитной маски.
- » Если в области защитной маски ощущается привкус или запах каких-либо загрязнений или примесей.
- » В большинстве случаев возникновения каких-либо аллергических реакций при контакте материалов системы с кожным покровом оператора не выявлено, но в маловероятном случае возникновения такой реакции оператор должен немедленно покинуть загрязненную рабочую зону, снять устройство и обратиться за медицинской помощью.

5. ОБЗОР СИСТЕМЫ

Система Guardian Air представляет собой электроприводной респиратор с крепежным ремнем и сменной высокоэффективной системой фильтрации дисперсных частиц с элементами одноразового применения. Система сертифицирована совместно со сварочными масками, рассчитанными на окружность головы от 535 до 600 мм и упомянутыми в Разделе 10.

В комплект системы ЭВР входит съемная аккумуляторная батарея, рассчитанная на 8 часов непрерывной работы. (8 часов работы в чистой производственной среде – в цеховых условиях продолжительность может быть значительно сокращена в зависимости от содержания дисперсных частиц в окружающем воздухе)

Если не обеспечен МРПВ на уровне 170 л/мин, срабатывает система оповещения оператора Guardian Air, включающая звуковую и световую сигнализацию.

При срабатывании звуковой сигнализации оператор должен немедленно покинуть рабочую зону и переместиться в установленное безопасное место. В системе ЭВР предусмотрена визуальная сигнализация низкого уровня заряда аккумуляторной батареи, а также комплексная звуковая и визуальная сигнализация засорения фильтра. В зависимости от типа отказа оператору надлежит выполнить замену фильтра на новый (в условиях повышенной запыленности частота замены фильтра возрастает), а также подозрительную аккумуляторную батарею или заменить ее на полностью заряженную. Оператор может вернуться на рабочее место только после отключения сигнализации системы ЭВР и восстановления приемлемого уровня расхода воздуха.

Фильтр был разработан специально для данного устройства. Он используется для фильтрации воздуха, поступающего в область защитной маски оператора. Оператор должен регулярно проводить контрольные осмотры корпуса фильтра на отсутствие повреждений или признаков деформации, которые могут потенциально привести к попаданию загрязненного воздуха в систему. Фильтр подлежит утилизации при наличии повреждений или при засорении до уровня срабатывания механизма аварийной сигнализации системы.

В качестве съемной перезаряжаемой батареи используется Литий-ионный элемент. При поставке батарея может держать небольшой заряд, поэтому систему ЭВР следует вначале полностью разрядить, а затем перед первым использованием зарядить в течение шестнадцати часов.

6. РАСПАКОВКА / СБОРКА

6.1. Распаковка

Проконтролировать целостность упаковки и отсутствие повреждений на всех компонентах, которые могут возникнуть при транспортировке или по другим причинам.

Упаковка системы ЭВР включает в себя:

- » Устройство Guardian Air, в т.ч. аккумулятор, фильтр P R SL и фильтр предварительной очистки
- » Ремень
- » Шланг подачи воздуха
- » Указатель уровня потока воздуха
- » Зарядное устройство аккумуляторной батареи
- » Инструкции по эксплуатации

6.2. Сборка

Закрепить воздухоподводящее устройство на ремне: Пропустить внутренние лямки через задние петли воздухоподводящего устройства, затем через петли ремня, потом через пряжку. (Рис. 1 / с. 4)

Установить аккумулятор в блок воздухоподводящего устройства. (Рис. 3 / с. 4)

6.2.1. Регулировка поясного ремня:

Надеть ремень вокруг пояса и закрепить два его конца, при этом система ЭВР должна располагаться сзади.

Если ремень чрезмерно ослаблен, передвинуть штекерный регулятор вниз вдоль пояса в направлении гнездового элемента. Если ремень затянута слишком туго, передвинуть штекерный регулятор в противоположную сторону от гнездового элемента. Повторить вышеуказанные действия до завершения регулировки удобной и надежной посадки оборудования. После завершения регулировки ремня зафиксировать его оставшуюся часть в соответствующих петлях. (Рис. 5 / с. 4)

6.2.2. Фракционные фильтры

Необходимо использовать только фильтры с маркировкой Böhler, поставляемые компанией Voestalpine Böhler Welding. Применение любых других фильтров влечет за собой аннулирование каких-либо гарантийных условий и/или серьезный риск для здоровья пользователя данного устройства.

Вначале следует проконсультироваться со специалистом по гигиене труда или связаться со службой технической поддержки компании-производителя, чтобы выяснить, насколько фильтры с маркировкой Böhler соответствуют целевому применению в качестве средства защиты от соответствующих опасных факторов. Устройство Guardian Air оснащено высокоэффективными фракционными фильтрами класса P R SL.

При срабатывании предупредительной сигнализации необходимо заменить предфильтр или проверить его техническое состояние. В зонах повышенной запыленности данную процедуру необходимо выполнять на постоянной основе.

Следует проводить регулярные контрольные осмотры и замену фильтров (см. Раздел 7.2. «Определение потока воздуха»). Фильтры предназначены для периодической замены и не подлежат очистке/повторному использованию.

Перед установкой новых фильтров проконтролировать их срок годности и удостовериться в том, что они не использовались ранее и не имеют видимых повреждений.

С гигиенической точки зрения максимальный срок службы главного фильтра составляет 2 недели или 90 часов, в зависимости от того, что больше, и данный показатель не следует превышать.

ПРЕДУПРЕЖДЕНИЕ!

Крайне важно, чтобы оператор не путал маркировку на фильтре, относящуюся к какому-либо другим стандартам помимо EN12941 1998 -A1:2003+A2:2008, с классификацией устройства при его использовании с данным фильтром.

6.2.3. Демонтаж и установка новых фильтров

Откройте крышку фильтра, потянув ее наружу с правой стороны воздуходувки. (Рис. 6 / с. 4)

ВНИМАНИЕ! Категорически запрещается использовать какие-либо инструменты для открытия крышки фильтра.

Чтобы снять фильтр, вытяните его из устройства. Очистите устройство от пыли, следя за тем, чтобы пыль не попала в воздухозаборник.

Вставьте новый фильтр на место. (Рис. 7 / с. 4) Аккуратно вставьте его, пока он не будет хорошо прилегать к корпусу устройства.

Закройте крышку фильтра. Обратите особое внимание, крышка фильтра защелкнется на месте, когда будет правильно закрыта. Не пытайтесь использовать воздухоподводящий агрегат без правильно установленной крышки.

6.2.4. Замена фильтра предварительной очистки (Рис. 7 / с. 4)

Фильтр предварительной очистки - это рукав, который устанавливается поверх основного фильтра. Для снятия/замены просто снимите старый фильтр и установите новый. Важно убедиться, что фильтрующий материал основного фильтра полностью покрыт предварительным фильтром.

6.2.5. Подключение шланга к системе ЭВР:

Совместить штыри байонетного разъема шланга с пазами воздухоотводного патрубка системы ЭВР. Вставить байонетный разъем в воздухоподводящее устройство до нижнего уровня соединительного гнезда, затем повернуть его по часовой стрелке до фиксации направляющих штифтов.

Для закрепления шланга на шлеме выполнить аналогичную процедуру.

6.2.6. Порядок надевания маски Böhler Guardian Air:

1. Установить оголовье сварочной маски и выполнить регулировку положения фильтра. (см. Инструкции по использованию защитной маски)
2. Откинуть маску в верхнее положение.
3. Надеть маску на голову и отрегулировать храповое колесо, надавливая и поворачивая его, пока не будет достигнута необходимая плотность посадки.
4. Потянуть за защитный корпус сварочной маски. Защита подбородка не должна приносить неудобств.
5. Сварочная маска готова к использованию.

7. ПЕРЕД ИСПОЛЬЗОВАНИЕМ

7.1 Контрольный осмотр перед использованием:

Каждый раз перед началом работы необходимо проверить следующие моменты:

- » Все компоненты должны находиться в пригодном состоянии без видимых повреждений (например, отверстий, разрывов и т.д.). Выполнить замену поврежденных или изношенных компонентов. Произвести тщательный осмотр воздушного шланга, уплотнений и маски.
- » Все соединения между воздушным шлангом и корпусом маски, а также системой ЭВР должны находиться в хорошем состоянии.
- » Поток воздуха должен быть на достаточном уровне. (см. Раздел 7.2. «Определение потока воздуха»)
- » Подача воздуха должна осуществляться через весь контур системы ЭВР от воздухоподводящего устройства до маски.
- » Выполнить зарядку аккумулятора перед первым применением и контролировать уровень его зарядки перед каждым последующим использованием. (см. Раздел 7.3. «Аккумуляторная батарея»)
- » **Проконтролировать надлежащую функциональность устройства сигнализации (см. Раздел 8. Применение)**

7.2. Определение потока воздуха (Рис. 4 / с. 4)

1. Отсоединить воздушный шланг от воздухоподводящего устройства.

2. Вставить указатель потока воздуха в разъем воздушного шланга и расположить шланг в вертикальном положении приблизительно на уровне глаз.
3. Включить блок питания. Поток воздуха является достаточным только в том случае, если шариковый указатель достигнет минимального уровня потока. Если указатель опускается ниже минимального уровня потока, необходимо выполнить зарядку аккумулятора или замену фильтра. Если проблема не решена, см. Главу 10 с описанием дополнительных предложений.

7.3. Аккумуляторная батарея

ПРИМЕЧАНИЕ! Аккумуляторные батареи поставляются только с частичной зарядкой. Перед первым применением все аккумуляторные батареи должны быть полностью заряжены. Зарядка аккумулятора может осуществляться как в автономном режиме, так и в контуре воздухоудовного устройства.



Необходимо проконтролировать, чтобы для зарядки данного изделия(-ий) обязательно использовалась утвержденная фирмой-производителем зарядное устройство, которое находилось в объеме поставки изделия(-ий). Использование любого другого зарядного устройства аккумуляторной батареи влечет за собой аннулирование каких-либо гарантийных обязательств и/или серьезный риск для здоровья пользователя данного оборудования вследствие возможного возгорания или взрыва.

Зарядное устройство должно использоваться исключительно для тех целей, для которых оно изготовлено и предназначено. Не следует выполнять зарядку аккумуляторной батареи в потенциально взрывоопасных средах. Зарядное устройство предназначено для использования внутри помещений. Необходимо обеспечить его соответствующую защиту от воздействия влаги. Зарядное устройство обеспечивает автоматический контроль процесса зарядки. После зарядки аккумулятора зарядное устройство переключается в режим компенсационной подзарядки и таким образом поддерживает полный заряд батареи. Продолжительность зарядки составляет от 4 до 6 часов.

7.3.1. Зарядка аккумуляторной батареи



1. Проконтролировать соответствие сетевого напряжения данным, указанным в техническом паспорте системы.
2. **Проконтролировать, чтобы для зарядки данного изделия(-ий) использовалось утвержденное фирмой-производителем зарядное устройство, которое находилось в объеме поставки изделия(-ий). Крайне важно использовать только зарядное устройство, включенное в объем поставки. Несоблюдение данного условия создает серьезную опасность воспламенения или взрыва.**
3. Подключить зарядное устройство к штепсельной розетке либо в контуре воздухоудовного устройства с установленной в нем батареей, либо непосредственно на аккумуляторе.
4. Подключить аккумулятор к зарядному устройству. Розетка батареи расположена на задней стороне аккумулятора.
5. В режиме зарядки светится красный светодиод.
6. По завершении зарядки устройство переключается в режим компенсационной подзарядки: - в этот момент красный светодиод гаснет и загорается зеленый светодиод.
7. Отключить зарядное устройство от источника питания.

Если зарядное устройство аккумулятора не используется, необходимо отключить его от сетевого питания!

7.3.2. Замена аккумуляторной батареи

Извлечение аккумулятора:
Прижать защелку батареи. Оттянуть назад защелку батареи, одновременно с этим приподнять и извлечь аккумулятор.

Установка аккумулятора:

Проконтролировать соответствующее вертикальное расположение аккумулятора (согласно п. 6.2), затем вставить его в воздухоудовное устройство до фиксации защелки. Защелка аккумулятора должна быть полностью зафиксирована. (Рис. 3 / с. 4)

8. ПРИМЕНЕНИЕ

Включить воздухоудовное устройство, нажав кнопку ВКЛ./ВЫКЛ. на панели управления. Предусмотрена 6-ступенчатая регулировка потока воздуха при помощи кнопок +/- в диапазоне от 180 л/мин до 220 л/мин. Зеленый светодиод указывает фактический уровень расхода воздуха. Необходимо учесть, что при каждом нажатии кнопок необходимо удерживать их в нажатом положении в течение 2 секунд для срабатывания соответствующих механизмов. Данная процедура предусмотрена во избежание случайных действий. (Рис. 2 / с. 4)

Устройство Guardian Air обеспечивает непрерывный режим подачи воздуха. Внутрикорпусной микропроцессор автоматически регулирует скорость двигателя в зависимости от степени засорения фильтра и состояния аккумуляторной батареи. Если микропроцессор не обеспечивает поддержку заданных установок потока воздуха, срабатывает звуковая сигнализация, после чего пользователь надлежит выполнить контроль функциональности системы ЭВР. По возможности микропроцессор автоматически снижает поток воздуха до следующего нижнего уровня, однако при каких-либо несоответствиях звуковая сигнализация продолжает работать. Если уровень потока воздуха падает ниже минимального безопасного рабочего уровня, параллельно с первым аварийным сигналом срабатывает вторя звуковая сигнализация. В этот момент оператор должен немедленно прекратить работу, покинуть рабочую зону и переместиться в установленное безопасное место, после чего выполнить замену фильтра или подзарядку/замену аккумулятора.

Для контроля работы устройств сигнализации следует прикрыть воздухоотводный патрубок при помощи ладони руки или другим подходящим способом. В рабочем режиме системы ЭВР двигатель стремится компенсировать данное отклонение путем увеличения скорости до момента, когда микропроцессор генерирует звуковой сигнал согласно описанию выше.

Контроль функциональности аккумулятора: При первоначальном пуске устройства красные светодиоды аккумулятора на панели управления находятся в мигающем режиме, после чего гаснут. Если индикаторы продолжают гореть, это свидетельствует о низком уровне заряда батареи и необходимости ее подзарядки. В начале рабочей смены рекомендуется использовать только полностью заряженную аккумуляторную батарею.

Когда аккумулятор полностью заряжен, устройство должно функционировать в штатном режиме, однако если при этом по-прежнему срабатывает звуковая сигнализация, оператору необходимо выполнить замену фильтра. Если проблема не решена, см. Главу 10 с описанием дополнительных предложений.

9. ТО/ОЧИСТКА

Необходимо регулярно выполнять очистку воздухоудовного устройства, корпуса фильтра и защитного шлема для поддержания их в работоспособном состоянии.

Если оборудование эксплуатируется отдельными операторами, все устройство можно чистить ветошью, смоченной теплым мыльным раствором.

Если оборудование эксплуатируется нескольких операторами, устройства при передаче от одного оператора другому должны быть продезинфицированы.

Необходимо предотвращать попадание каких-либо жидкостей в систему ЭВР или на поверхности фильтрующего элемента.

- Русский -

Компоненты системы подлежат сушке на воздухе. Ни при каких обстоятельствах не допускается использование растворителей или абразивных чистящих средств. Не допускается сушить оборудование с использованием горячего воздуха или теплового излучения. При условии выполнения работ по ТО в полном соответствии с настоящими инструкциями система ЭВР должна обеспечивать надлежащую степень защиты органов дыхания согласно проектным спецификациям в течение 2-3 лет. Перед каждым использованием оператор должен контролировать отсутствие в системе ЭВР каких-либо дефектов, таких как трещины, разрывы в фильтрах и шлангах, растрескивание смотрового щитка и компонентов защитного шлема, в зависимости от обстоятельств.

10. ДИАГНОСТИКА НЕИСПРАВНОСТЕЙ

Если в рабочем режиме системы происходит резкое изменение параметров подачи воздуха, необходимо проверить следующее:

- » Правильность сборки и монтажа всех компонентов системы подачи воздуха;
- » Аккумуляторную батарею и соответствующий разъем;
- » Отсутствие неисправностей или повреждений аккумулятора;
- » Функциональность и степень засорения фильтров;
- » Отсутствие повреждений воздушного шланга;
- » Отсутствие повреждений в уплотнении маски;
- » Отсутствие каких-либо изменений (уменьшения) времени работы системы после полной подзарядки батареи (при обнаружении отклонений необходимо заменить аккумулятор).

| НЕИСПРАВНОСТЬ | ВОЗМОЖНАЯ ПРИЧИНА | РЕКОМЕНДАЦИИ |
|---|--|---|
| Система ЭВР абсолютно не работает | <ul style="list-style-type: none">» Полностью разряжена батарея (проверить работу воздухоудного устройства с другим аккумулятором с полной зарядкой)» Неисправный двигатель, монтажная плата или разъем | <ul style="list-style-type: none">» Выполнить зарядку аккумулятора (если проблема не решена, проверить функциональность аккумулятора)» Связаться с поставщиком. |
| Недостаточный поток воздуха | <ul style="list-style-type: none">» Закупоривание воздушного шланга или воздуховода» Утечка» Недостаточная зарядка батареи» Засорение фильтра, в том числе и предварительной очистки | <ul style="list-style-type: none">» Проверить и устранить причину. Проверить состояние всех уплотнений, разъемов и воздушного шланга. Убедиться в отсутствии отверстий или разрывов, через которые возможны утечки воздуха.» Выполнить зарядку аккумулятора (если проблема не решена, проверить функциональность аккумулятора)» Выполнить замену фильтра предварительной очистки. Если проблема не решена, заменить главный фильтр. |
| Короткое время работы | <ul style="list-style-type: none">» Засорение фильтра» Недостаточная зарядка батареи | <ul style="list-style-type: none">» Заменить фильтры» Заменить аккумулятор. (если проблема не решена, проверить функциональность аккумулятора) |
| Аккумулятор не заряжается | <ul style="list-style-type: none">» Контакты батареи повреждены» Неисправность зарядного устройства | <ul style="list-style-type: none">» Проверить состояние контактов батареи.» Связаться с поставщиком |
| Аккумулятор не заряжается в достаточной степени | <ul style="list-style-type: none">» Износ аккумулятора | <ul style="list-style-type: none">» Установить новый аккумулятор. |

11. ХРАНЕНИЕ И ТРАНСПОРТИРОВКА

В промежутках между эксплуатацией или во время транспортировки воздухоудные и головные устройства подлежат хранению в контейнерах, в которых осуществлялась их поставка, или в других аналогичных контейнерах, при этом необходимо обеспечить их защиту от воздействия прямых солнечных лучей, контактов с растворяющими средствами, а также повреждений при соприкосновении с твердыми поверхностями/предметами. Оборудование следует хранить в диапазоне температур окружающего воздуха от 0 °C до + 40 °C при относительной влажности не более 75%.

12. СЕРТИФИЦИРОВАННЫЕ СИСТЕМЫ ЗАЩИТНЫХ МАСОК

- 13 - Guardian 50M Air - 86669
- 13 - Guardian 50FM Air - 86682
- 13 - Guardian 62 Air - 57007
- 13 - Guardian 62F Air - 57029
- 14 - Big Vision Air - 73314

13. ПЕРЕЧЕНЬ ДЕТАЛЕЙ И СБОРОЧНЫЙ ЧЕРТЕЖ (с. 5)

- 1 - Система Guardian Air (комплектное воздухоудное устройство) - 86692
- 2 - Узел электродвигателя - 86668
- 3 - Фракционный фильтр P R SL (4 шт.) - 86645
- 4 - Фильтр предварительной очистки (10 шт.) - 86655
- 5 - Искрогаситель - 86704
- 6 - Крышка фильтра - 86657
- 7 - стандартная батарея (5,200 мАч) - 86660
- 7 - Аккумуляторная батарея повышенной мощности (7,800 мАч) - 57075
- 8 - Универсальное зарядное устройство - 57081
- 9 - Гибкий воздушный шланг, вкл. защиту шланга - 57065
- 10 - Мягкий ремень - 57144
- 11 - Плечевой ремень - 57146
- 12 - Измеритель потока воздуха - 57184
- 15 - Шлем с торцовым уплотнением - 57182
- 16 - Сумка Böhler (синий)- 57186
- 16 - Сумка Böhler (черный)- 86702

14. ТЕХНИЧЕСКИЕ ДАННЫЕ

Устройство Guardian Air представляет собой легковесную и простую в обращении систему ЭВР. Система включает сменный фильтр для улавливания твердых частиц. Система обеспечивает надежную защиту органов дыхания от воздействия твердых частиц и аэрозолей.

- » Поток воздуха: 180-220 литров/мин при минимальном потоке 170 литров/мин, который является уставкой для срабатывания предупредительной сигнализации.
- » Масса, вкл. фильтр и аккумулятор: 870 г
- » Рабочая температура: от 0°С до +40°С
- » Тип фильтра: P R SL
- » Тип аккумуляторной батареи: Сменная и подзаряжаемая, литий-ионная 7,4 В / 5,200 мАч
- » Кол-во циклов зарядки: > 350 г
- » Визуальная сигнализация низкого уровня зарядки аккумулятора
- » Визуальные и звуковые предупреждающие сигналы при недостаточном уровне расхода (ниже 170 л/мин)
- » Номинальный коэффициент защиты (Nominal Protection Factor = NPF): 500
- » Уровень шума: 65 дБ
- » Продолжительность работы при минимальном потоке с новым фильтром и полностью заряженным аккумулятором в чистой производственной среде: более 8 часов. (6 часов при максимальном расходе). В режиме фактической эксплуатации время работы может быть значительно меньше в зависимости от содержания загрязняющих веществ в окружающем воздухе.
- » **Примечание! Время работы может сокращается в случае засорения фильтра и недостаточной зарядки аккумулятора.**

Сертификация EN 12941:1998+A1:2003+A2:2008

Орган по сертификации: APAVE SUDEUROPE SAS Орган технической экспертизы 0082
13322 MARSEILLE
CEDEX 16
Франция

Данное устройство из разряда СИЗ соответствует следующим применимым стандартам ЕС:



EN 12941:1998+A1:2003+A2:2008
EN166B:2001
EN379:2003+A1:2009 EN175B

Обозначения:

См. инструкции завода-изготовителя:



Хранить при температуре 0-40°С (градусов Цельсия):



Срок хранения:



Макс. влажность при хранении <75%:



Обозначение фильтра:

R = означает, что фильтр является многоразовым и может быть использован более одной рабочей смены,
S = означает, что фильтр обеспечивает защиту от воздействия твердых дисперсных частиц,
L = означает, что фильтр обеспечивает защиту от воздействия жидких частиц.

15. ГАРАНТИЯ

Гарантийные обязательства в случае наличия проблем механического или электрического характера системы Guardian Air действительны в течение 12 месяцев после даты покупки. Гарантия на аккумуляторную батарею Böhler действует в течение 12 месяцев после даты изготовления.

Компания voestalpine Böhler Welding обязуется в течение указанного периода выполнить бесплатный ремонт или обмен любого компонента, признанного дефектным. В качестве альтернативы и по своему усмотрению, компания voestalpine Böhler Welding может выполнить соответствующую замену. Настоящие условия гарантии распространяются лишь на те случаи, если:

Система Guardian Air используется исключительно в тех целях, для которых она предназначена.

Система Guardian Air не подвергалась нецелевой эксплуатации, модификациям или ремонту, а также не фигурировала в сводках аварий и производственных происшествий.

Примечание: При наличии каких-либо претензий следует связаться с торговым предприятием, у которого была приобретена система Guardian Air.

Настоящая гарантия не распространяется на случаи нормального износа оборудования.

Настоящая гарантия не нарушает ваших законных прав.

Guardian Air

NÁVOD NA POUŽÍVANIE SYSTÉMOV PAPR

Schválené podľa BS EN 12941 : 1998 - A1:2003+A2:2008 TH3 - ZARIADENIE NA OCHRANU DÝCHANIA – POHAŇANÉ FILTRAČNÉ ZARIADENIE PRE CELÝ RAD ZVÁRAČSKÝCH KUKIEL - TRIEDA TH3 P R SL

PREVOD NAVODIL ZA UPORABO

Proizvajalec si pridržuje pravico, da kadar koli in brez predhodnega obvestila spremeni in dopolni ta navodila za uporabo, če je to potrebno zaradi tiskarskih napak, netočnosti ali izboljšav izdelka. Takšne spremembe pa bodo vključene v naslednje izdaje navodil za uporabo.

Naše najnovejše dokumente o izdelkih in vse kontaktne podatke podjetja **voestalpine Böhler Welding** najdete na naši spletni strani na naslovu: www.voestalpine.com/welding.

DÔLEŽITÉ!

Pred použitím tohto vybavenia si musíte prečítať a úplne pochopiť tento návod na používanie. Tento návod na používanie musíte zachovať pre prípad potreby v budúcnosti.

POVINNÉ INFORMÁCIE TÝKAJÚCE SA POUŽÍVANIA RESPIRÁTORA S NÚTENÝM ČISTENÍM VZDUCHU SO ZVÁRAČSKÝMI KUKLAMI.

Tento návod na používanie musíte striktne dodržiavať pri používaní/prevádzkovaní systému PAPR (powered air purifying respirator – respirátor s núteným čistením vzduchu). Ak nedodržíte tieto pokyny, môže dôjsť k zániku záručnej ochrany ponúkanej alebo dostupnej pre v súvislosti s vaším výrobkom/vašími výrobkami. Špecifické podrobnosti takéhoto záručného krytia nájdete v podmienkach vašej kúpnej zmluvy na tento výrobok/tieto výrobky.

Výrobky sú skonštruované tak, aby chránili vaše zdravie a komfort. Nedodržanie tohto návodu na používanie môže mať negatívny vplyv na vaše zdravie/komfort.

Pred rozbalením výrobku/výrobkov si dôkladne prečítajte tento návod na používanie.

Čo sa týka vhodnosti tohto výrobku pre vaše potreby, nedávame žiadne odporúčania. Ak máte otázky ohľadne vhodnosti tohto výrobku pre vašu aplikáciu, kontaktujte prevádzkového hygienika.

Adresa a kontaktné informácie sú vytlačené na strane 2.

OBSAH

1. Úvod
2. Rozsah aplikácie
3. Schválenia
4. Predpoklady pre používanie
5. Prehľad systému
6. Rozbalenie/montáž
7. Pred použitím
8. Používanie
9. Údržba/čistenie
10. Hľadanie porúch
11. Skladovanie a preprava
12. Zoznam certifikovaných systémov kukiel
13. Zoznam dielov a výkres zostavy
14. Technické údaje
15. Záruka

1. ÚVOD

Böhler Air je systém na ochranu dýchania, ktorý je založený na princípe vzduchu pod pretlakom cirkulujúceho v kukle. Ventiláčna jednotka upevnená na popruhu dodáva vzduch do kukly cez filter a vzduchovú hadicu. Prívod filtrovaného vzduchu vytvára kladný tlak vnútri kukly, ktorý zabráňuje vniknutiu vonkajšieho kontaminovaného vzduchu do oblasti dýchania používateľa.

2. ROZSAH APLIKÁCIE

Systém PAPR je vhodný pre všetky aplikácie, kde je prijateľná certifikácia EN 12941. Jednotka nie je vhodná na zvrátenie v uzavretých priestoroch. (Pozri bod 4. Predpoklady pre používanie.)

3. SCHVÁLENIA

Jednotka Böhler Air bola skonštruovaná a vyrobená v súlade s EN 12941:1998 - A1:2003+A2:2008 ako zariadenie TH3 P R SL.

Norma BS 4275 (smernica na implementáciu účinného programu zariadení na ochranu dýchania), ktorú odporúčame používateľovi prečítať, definuje zariadenie EN 12941 TH3 P R SL ako zariadenie poskytujúce menovitý ochranný faktor 500.

Systém PAPR dokáže poskytnúť túto úroveň ochrany, len ak sa používa s filtermi dodanými výrobcom, označenými „Böhler“ a „EN 12941:1998 TH3 P R SL“.

Zváračské kukly sú certifikované podľa EN 175B.

Systémy PAPR sú vyrobené v prevádzke, ktorá má certifikovaný systém riadenia kvality podľa ISO 9001:2000.

4. PREDPOKLADY PRE POUŽÍVANIE

Jednotka Böhler Air sa musí používať striktnie v súlade s týmto návodom na používanie a návodom dodaným s príslušnou kuklou.

Používateľ si musí riadne prečítať a pochopiť všetky nasledujúce „Návody na používanie“, aby bol schopný správne používať systém na ochranu dýchania. Akékoľvek otázky smerujte na kontaktné miesta výrobcu uvedené na strane 2.

Keď je systém PAPR vypnutý, môžete očakávať minimálnu až žiadnu ochranu dýchania. Keď sa systém PAPR vypne, môže nastať rýchle nahromadenie oxidu uhličitého a spotrebovanie kyslíka v kukle, preto **je dôležité, aby ste ventiláčnu jednotku nepoužívali, keď je vypnutá.**

JEDNOTKA BÖHLER AIR SA NESMIE POUŽÍVAŤ:

- » V atmosfére, ktorá okamžite ohrozuje hygienu alebo zdravie používateľa, a obsahuje menej ako 19,5 % kyslíka alebo obsahuje neznáme látky.
- » V uzavretých priestoroch alebo nevetraných oblastiach, ako napríklad nádrže, potrubia, kanály atď.
- » V blízkosti plameňa a/alebo iskier.
- » V oblastiach s nebezpečenstvom výbuchu.
- » V oblasti s výskytom silného vetra.
- » Keď sa ventiláčna jednotka zastaví z akéhokoľvek dôvodu, používateľ musí ihneď opustiť kontaminovanú oblasť.

TAKTIEŽ JE DÔLEŽITÉ NASLEDOVNÉ:

- » Nič nesmie prísť do kontaktu s pohybujúcimi sa dielmi.
- » Nesmiete sa pokúšať akýmkoľvek spôsobom upravovať alebo meniť systém PAPR alebo filter.
- » Do jednotky – obzvlášť do motora a ventilátora, filtra alebo batérie – sa žiadnym spôsobom nesmie dostať voda ani žiadne iné kvapaliny.

Dbajte na to, aby kukla perfektne priliehala k tvári používateľa. Len vtedy je zaručená dostatočná účinnosť systému. Ochranný faktor kompletneho systému sa zniží, ak tesnenie kukly nie je správne nasadené, napríklad z dôvodu brady alebo dlhých vlasov zasahujúcich do tesnenia.

Môže nastať situácia, že sa hadica vedúca ku kukle počas používania niekde zachytí. Osoba by mala mať systém PAPR umiestnený tak, aby toto riziko bolo čo najnižšie.

Filter nemôžu byť namontované priamo na kuklu a nemali by ste sa pokúšať upraviť ich takým spôsobom.

Správna ochrana dýchania nebude zabezpečená, ak akýmkoľvek spôsobom upravíte súčasti vybavenia.

Pri namáhavej práci sa môže stať, že pri najvyššej intenzite dýchania bude tlak v systéme PAPR záporný. V prípade akýchkoľvek pochybností by mal používateľ kontaktovať miestny personál zodpovedný za bezpečnosť a ochranu zdravia pri práci a malo by sa vykonať posúdenie akceptovateľných rizík.

Systémy PAPR by mal používať výlučne kompetentný, vyškolený personál.

POZOR!

Ak sa nedodrží alebo nebude rešpektovať ktorkoľvek z týchto podmienok, zdrúka sa automaticky stane neplatnou.

ODPORUČAME POUŽÍVATELOVI, ABY V NASLEDUJÚCICH PRÍPADOCH IHNEĎ OPUSTIL KONTAMINOVANÚ, KEĎ:

- » zaznie výstražný tón minimálneho konštrukčného prietoku definovaného výrobcom (MKP),
- » pocítite sťažené dýchanie,
- » pocítite závrat alebo nevoľnosť,
- » poškodí sa ktorákolvek časť systému,
- » prúdenie vzduchu do kukly sa spomalí alebo zastaví,
- » zacítite zápach alebo chuť kontaminantu vnútri kukly.
- » Pre materiály, ktoré môžu prísť do styku s pokožkou používateľa, nie sú známe alergické reakcie u väčšiny osôb, ale v nepravdepodobnom prípade reakcie by mal používateľ ihneď opustiť kontaminovanú oblasť, odstrániť jednotku a vyhľadať lekársku pomoc.

5. PREHLAD SYSTÉMU

Böhler Air je poháňaný respirátor upevnený na popruhu, s výmenným jednorazovým vysokoúčinným systémom filtra častíc. Systém je certifikovaný pre kukly uvedené v časti 10 a ktoré pokrývajú obvod hlavy od 535 do 600 mm. Systém PAPR obsahuje vymeniteľnú súpravu dobijateľných batérií s kapacitou na 8-hodinú prácu. (8 hodín v čistom prostredí – v dielni sa môže čas značne skrátiť v závislosti od počtu častíc v atmosfére.)

Böhler Air varuje používateľa prostredníctvom zvukového alarmu a blikajúcich LED indikátorov, keď sa nedosiahne MKP 170 l/min.

Keď v prevádzke zaznie alarm, používateľ musí ihneď opustiť pracovnú oblasť a dostať sa do oblasti, ktorá sa považuje za bezpečnú. Systém PAPR má vizuálny alarm nízkeho napätia batérie a viacero alarmov – zvukové a vizuálne alarmy upchátia filtra. V závislosti od poruchy by mal používateľ nahradiť filter novým (vo veľmi prašnom prostredí bude potrebné meniť filter častejšie) a/alebo dobiť batériu, alebo ju vymeniť za plne nabitú. Používateľ sa môže vrátiť na pracovisko, len keď bude systém PAPR fungovať bez zapínania alarmu a testovaný prietok bude prijateľný.

Filter bol vyvinutý špeciálne pre túto jednotku. Používa sa na filtrovanie vzduchu, ktorý dýcha používateľ. Je dôležité, aby používateľ kontroloval filter ohľadne akýchkoľvek známkov poškodenia alebo deformácie, ktoré by potenciálne mohli spôsobiť prívod kontaminovaného vzduchu do systému. Keď je filter poškodený alebo upchatý natoľko, že spúšťa alarm systému, musíte ho zlikvidovať.

Ako vymeniteľná dobijateľná batéria sa používa lítiavo-iónový článok. Pri dodaní môže byť batéria nabitá len na nízku úroveň napätia. Systém PAPR by mal byť zapnutý až do úplného vybitia a následne by sa batéria pred prvým použitím mala nabíjať šiestnásť hodín.

6. ROZBALENIE/MONTÁŽ

6.1. Rozbalenie

Skontrolujte, či je balík kompletný a či nie je žiadny diel poškodený v dôsledku prepravy alebo z iného dôvodu.

Balík s kompletným systémom PAPR vrátane príslušenstva obsahuje:

- » jednotku Böhler Air vrát. batérie, filtra P R SL a predfiltra,
- » popruh,
- » vzduchovú hadicu,
- » indikátor prúdenia vzduchu,
- » nabíjačku batérií,
- » návod na používanie.

6.2. Montáž

Pripevnite ventiláčnú jednotku na popruh: Prevlečte vnútorný popruh cez oká na zadnej strane ventilátora. Potom ho prevlečte cez oká popruhu a následne cez pracku. (obr. 1/p. 4)

Pripojte batériu k ventiláčnej jednotke. (obr. 3/p. 4)

6.2.1. Nastavenie hrudného popruhu

Ovniňte si popruh so systémom PAPER okolo hrudníka až po chrbát a oba konce navzájom upevnite.

Ak je popruh príliš voľný, posuňte adaptér (samec) po popruhu nadol, smerom k samici. Ak je popruh príliš tesný, posuňte adaptér (samec) smerom od samice.

Vyššie uvedený postup opakujte, kým nedosiahnete komfortné a bezpečné upevnenie. Keď je popruh správne upevnený, nadbytočnú časť popruhu prevlečte cez oká popruhu. (obr. 5/p. 4)

6.2.2. Filter častíc filter

Používajte len filtre označené „Böhler“ dodané firmou voestalpine Böhler Welding. Používanie akýchkoľvek iných filtrov bude viesť k zániku záručnej ochrany a/alebo k vážnemu ohrozeniu zdravia používateľa, ktorý používa výrobok/výrobky.

Mali by ste vopred konzultovať s hygienikom z oddelenia hygieny práce alebo na linke technickej pomoci výrobcu, či filtre označené „Böhler“ budú predstavovať vhodnú ochranu pred danými ohrozeniami.

Jednotka Böhler Air je vybavená vysokoúčinným filtrom častíc triedy P R SL.

Keď zaznie výstražný zvukový alarm, mali by ste vymeniť alebo skontrolovať predfilter. Vo veľmi prašných oblastiach môže byť nutné vykonávať to častejšie.

Filtre sa musia pravidelne kontrolovať (pozri 7.2 Test prúdenia vzduchu) a vymieňať. Filtre sa majú vymieňať a nesmú sa čistiť ani opätovne používať.

Uistite sa, že nové filtre nie sú expirované, sú nepoužitá a nie sú zjavne poškodené.

Z hľadiska hygieny je maximálny pracovný čas hlavného filtra 2 týždne alebo 90 hodín (platí vyššia hodnota) a nemali by ste ho prekračovať.

VAROVANIE!

Je dôležité, aby si používateľ nezamenil označenia na filtri súvisiace s akoukoľvek inou normou ako EN12941 1998 -A1:2003+A2:2008 s klasifikáciou zariadenia, keď sa zariadenie používa s týmto filtrom.

6.2.3. Odstraňovanie filtrov a montáž nových filtrov

Odprite pokrov filtra tako, da ga potegnete navzven z desne strani ventilátora. (obr. 6 / p. 4)

POZOR! Za odpiranje pokrova filtra je strogo prepovedano uporabljati kakršno koli orodje.

Če želite odstraniti filter, ga izvlecite iz enote. Enoto očistite prahu, pri čemer pazite, da prah ne pride v dovid zraka.

Nov filter vstavite nazaj na svoje mesto. (obr. 7 / p. 4) Nežno ga potisnite navznoter, dokler se dobro ne prilaga ohlajšju enote.

Zaprite pokrov filtra. Bodite še posebej pozorni, saj se pokrov filtra ob pravilnem zaprtju zaskoči na svoje mesto. Ne poskušajte uporabljati ventilatorske enote brez pravilno nameščenega pokrova.

6.2.4. Výmena predfiltera (obr. 7/p. 4)

Predfilter je rokov, ki je nameščen nad glavnim filtrom. Za odstranitev / zamenjavo preprosto odstranite stari filter in novega napnite na svoje mesto. Pomembno je zagotoviti, da je filtra trni vložek glavnega filtra popolnoma prekrit s predfiltrom.

6.2.5. Pripojenie hadice k systému PAPER

Zaravnajte kolíky bajonetového konektora hadice s otvorními na výstupe vzduchu zo systému PAPER. Zasuňte bajonetový konektor do ventilátora, až kým nedosiahnete dno otvoru. Potom ním otočte v smere hodinových ručičiek, až kým sa polohovací kolíky nezaistia v polohe.

Postup pri pripájaní hadice na kuklu je rovnaký.

6.2.6. Nasadzovanie kukiel Böhler Guardian Air

1. Nastavte postroj zvrátskej kukly a vhodne upravte zvráts filter. (Pozri návod na používanie kukly.)
2. Zdvihnite kuklu do hornej polohy.
3. Dajte si ju na hlavu, stláčajte a otáčajte nastavovacie koliesko náhlavného popruhu, až kým nedosiahnete vhodnú tesnosť.
4. Stiahnite elastický chránič brady nadol a súčasne potiahnite nadol aj kuklu. Dbajte na to, aby elastický chránič brady komfortne priliehal pod bradou.
5. Zvrátská kukla je teraz pripravená na použitie.

7. PRED POUŽITÍM

7.1. Kontrola pred použitím

Pred začatím práce zakaždým:

- » skontrolujte, či sú všetky komponenty v dobrom stave a bez viditeľného poškodenia (ako diery, trhliny atď.), vymeňte všetky poškodené alebo opotrebované diely, starostlivo preskúmajte vzduchovú hadicu, tesnenia a tvárovú časť,
- » skontrolujte, či je vzduchová hadica riadne spojená s kuklou, ako aj so systémom PAPER,
- » skontrolujte, či je prúdenie vzduchu dostatočné (pozri 7.2 Test prúdenia vzduchu).
- » Vzduch je dodávaný cez celý systém PAPER od ventilátora až po kuklu.
- » Pred prvým použitím nabite batériu a pred každým nasledujúcim použitím skontrolujte, či je dostatočne nabitá (pozri 7.3 Batérie).
- » **Zabezpečte, aby alarmy pracovali správne (pozri 8 Používanie).**

7.2. Test prúdenia vzduchu (obr. 4/p. 4)

6. Odpojte vzduchovú hadicu od ventiláčnej jednotky.
7. Vložte indikátor prúdenia vzduchu do konektora hadice a držte hadicu vo vertikálnej polohe vo výške očí.
8. Zapnite napájajúcu jednotku. Prúdenie vzduchu je dostatočné, len ak guľkový indikátor dosahuje minimálnu úroveň prietoku. Ak indikátor klesne pod minimálnu úroveň prietoku, musíte nabiť batériu alebo vymeniť filter. Ak problém pretrváva, pozri kapitolu 10 pre navrhované riešenia.

7.3. Batérie

UPOZORNENIE! Dodané batérie sú nabité len čiastočne. Pred prvým použitím sa musia všetky batérie nabiť. Batéria sa môže nabíjať samostatne alebo vo ventilačnej jednotke.



Je nevyhnutné, aby ste na nabíjanie výrobku/výrobkov používali nabíjačku, ktorá vám bola dodaná súčasne s výrobkom/výrobkami, a aby bola schválená výrobcom. Použitie akejkoľvek inej nabíjačky batérií bude viesť k zániku záručnej ochrany a/alebo k vysokému riziku ohrozenia zdravia používateľa výrobku/výrobkov v dôsledku požiaru alebo výbuchu.

Nabíjačka sa nesmie používať na iný účel, než na aký bola vyrobená. Batérie nenabíjajte v potenciálne výbušnej atmosfére. Nabíjačka batérií je určená na používanie v interiéri. Musí byť chránená pred vlhkosťou. Nabíjačka riadi nabíjanie automaticky. Po nabití batérie sa nabíjačka prepne na udržiavací režim a udržiava batériu plne nabitú. Čas nabíjania je 4 až 6 hodín.

7.3.1. Nabíjanie batérií



Skontrolujte, či je napätie na prívode elektrickej energie správne.

1. Skontrolujte, či na nabíjanie výrobku/výrobkov používate nabíjačku, ktorá vám bola dodaná súčasne s výrobkom/výrobkami, a či je schválená výrobcom. Je dôležité, aby ste používali len dodanú nabíjačku. Nedodržanie tohto pokynu môže viesť k vysokému riziku požiaru alebo výbuchu.
2. Zapojte nabíjačku do objímky. Buď do ventilačnej jednotky, ak je vložená batéria, alebo priamo do batérie.
3. Pripojte batériu k nabíjačke. Objímka batérie sa nachádza na jej zadnej strane.
4. Červená LED dióda signalizuje stav nabíjania.
5. Po dokončení nabíjania sa aktivuje udržiavací režim: - červená LED dióda zhasne, zelená LED dióda sa rozsvieti v momente udržiavacieho nabíjania.
6. Odpojte nabíjačku od napájania.

AK NABÍJAČKU BATÉRIÍ NEPOUŽIVATE, NENECHÁVAJTE JU PRÍPOJENÚ NA NAPÁJANIE!

7.3.2. Výmena batérie

Vybratie batérie:

Nájdite príchytку batérie. Potiahnite príchytку batérie a súčasne vyberte batériu zdvihnutím nahor.

Vloženie batérie:

Uistite sa, že je batéria správnou stranou nahor (pozri bod 6.2), a zasuňte ju do ventilačnej jednotky tak, aby sa zaistila príchytka batérie. Je dôležité, aby bola príchytka batérie úplne zaistená. (obr. 3/p. 4)

8. POUŽÍVANIE

Ventilačnú jednotku zapnete stlačením tlačidla ZAP/VYP (ON/OFF) na ovládacom paneli. Prúdenie vzduchu je možné nastaviť tlačidlami +/- v rozsahu od 180 l/min až do 220 l/min v šiestich krokoch. Zelená LED dióda signalizuje aktuálnu intenzitu prúdenia vzduchu. Berte na vedomie, že pri každom stlačení je nutné podržať tlačidlo 2 sekundy, aby sa nastavenie aktivovalo. Tým sa má zabrániť náhodným zmenám nastavenia. (obr. 2/p. 4)

Böhler Air zabezpečuje konštantný prívod vzduchu. Mikroprocesor vnútri jednotky automaticky reguluje rýchlosť motora a tým kompenzuje upchatie filtra a stav batérie. Ak mikroprocesor nedokáže udržať nastavené prúdenie vzduchu, jednotka vydá „pipajúci“ alarm (zaznie zvukový signál) a používateľ musí skontrolovať systém PAPR. Ak je to možné, mikroprocesor automaticky zníži intenzitu prúdenia vzduchu na najbližšiu nižšiu úroveň. Ak nie je možné dosiahnuť nižšiu úroveň, alarm bude znieť naďalej. Ak intenzita prúdenia vzduchu klesne pod minimálnu bezpečnú prevádzkovú úroveň, k prvému zvukovému alarmu sa pridá druhý. V tomto momente musí používateľ ukončiť prácu, opustiť pracovné prostredie a dostať sa do oblasti považovanej za bezpečnú. Následne musí vymeniť filter alebo dobiť/vymeniť batériu.

Na kontrolu alarmov je potrebné zablokovat' vzduchový výstup dlaňou alebo iným vhodným prostriedkom. Pri zapnutom systéme PAPR sa potom bude motor snažiť vykonať kompenzáciu zvýšením rýchlosti motora, až kým mikroprocesor nespustí alarm, ako bolo opísané vyššie.

Kontrola batérie: Pri prvom spustení jednotky budú LED indikátory batérie na ovládacom paneli blikať načerveno, potom zhasnú. Ak zostanú rozsvietené, signalizuje to nízke napätie batérie a batéria sa musí nabiť. Na začiatku pracovnej zmeny odporúčame používať len úplne nabitú batériu.

Súplne nabitou batériou by jednotka mala fungovať normálne, ale ak bude stále znieť zvukový alarm, používateľ musí vymeniť filter. Ak problém pretrváva, pozri kapitolu 10 pre navrhované riešenia.

9. ÚDRŽBA/ČISTENIE

Ventilačná jednotka, teleso filtra a kukla sa musia pravidelne čistiť, aby sa zachovali v dobrom prevádzkovom stave.

Ak ju používa jeden používateľ, môže sa celá jednotka čistiť handričkou navlhčenou vlažnou mydlovou vodou.

V prípade viacerých používateľov sa musí jednotka dezinfikovať pri odovzdávaní nasledujúcim používateľom.

Do pracovného priestoru systému PAPR ani na filtračný prvok sa nesmie dostať žiadna kvapalina.

Diely nechojte rozpúšťadlá na vzduchu. Za žiadnych okolností nepoužívajte rozpúšťadlá ani abrazívne čistiace prostriedky. Jednotku nesmiete sušiť pomocou horúceho vzduchu alebo sálavého tepla.

Ak sa systém PAPR udržiava podľa týchto pokynov, mal by zabezpečovať ochranu podľa špecifikácie počas 2 až 3 rokov. Pred každým použitím by mal používateľ skontrolovať, či sa na systéme PAPR nevyskytujú poškodenia ako praskliny, oddelené filtre a hadice, prasknuté priedzory a komponenty kukly.

10. HLADANIE PORÚCH

Ak sa počas používania systému náhle zmení prívod vzduchu, musíte skontrolovať:

- » či sú všetky časti systému prívodu vzduchu riadne namontované,
- » batériu a jej konektor,
- » či batéria nemá poruchu alebo nefunguje správne,
- » filtre a ich upchatie,
- » či vzduchová hadica nie je deravá,
- » či nie je poškodené tesnenie kukly,
- » či sa neskrátil čas prevádzky po plnom dobití batérie (ak sa skrátil, je nutné vymeniť batériu).

| PORUCHA | PRAVDEPODOBNÁ PRÍČINA | ODPORÚČANIE |
|--|---|---|
| Systém PAPR vôbec nepracuje. | <ul style="list-style-type: none"> » Úplne vybitá batéria (Skontrolujte, či ventilačná jednotka pracuje s inou, úplne nabitou batériou.) » Chybný motor, doska plošných spojov alebo konektor | <ul style="list-style-type: none"> » Nabite batériu. (Ak problém pretrváva, skontrolujte batériu.) » Kontaktujte svojho dodávateľa. |
| Znížte intenzitu prúdenia vzduchu. | <ul style="list-style-type: none"> » Zablockovaná vzduchová hadica alebo vzduchové potrubie. » Netesnosť » Batéria nie je dostatočne nabitá. » Zablockovaný filter alebo predfilter | <ul style="list-style-type: none"> » Skontrolujte a odstráňte prekážku. Skontrolujte všetky tesnenia, konektory a vzduchovú hadicu. Zabezpečte, aby vzduch nemohol unikať cez otvory alebo trhliny. » Nabite batériu. (Ak problém pretrváva, skontrolujte batériu.) » Vymeňte predfilter. Ak potom problém pretrváva, vymeňte hlavný filter. |
| Krátky prevádzkový čas. | <ul style="list-style-type: none"> » Upchatý filter » Batéria nie je riadne nabitá. | <ul style="list-style-type: none"> » Vymeňte filtre. » Nabite batériu. (Ak problém pretrváva, skontrolujte batériu.) |
| Batériu nie je možné nabiť. | <ul style="list-style-type: none"> » Kontakt batérie je poškodený. » Nabíjačka je chybná. | <ul style="list-style-type: none"> » Skontrolujte kontakt batérie. » Kontaktujte svojho dodávateľa. |
| Batériu nie je možné dostatočne nabiť. | <ul style="list-style-type: none"> » Batéria je opotrebovaná. | <ul style="list-style-type: none"> » Nainštalujte novú batériu. |

11. SKLADOVANIE A PREPRAVA

Počas prepravy alebo keď sa ventilačné a náhlavné jednotky nepoužívajú, mali by byť uložené v kontajneri, v ktorom boli dodané, alebo podobnom kontajneri. Uložte ich mimo dosahu snežného žiarenia a rozpúšťadiel a tak, aby sa nemohli poškodiť pri fyzickom kontakte s tvrdými povrchmi/predmetmi. Neskladujte ich mimo rozsahu teploty +0 °C až +40 °C ani pri vlhkosti vzduchu nad 75 % rel. vlhkosti.

12. CERTIFIKOVANÉ SYSTÉMY KUKIEL (str. 5)

- 13 - Guardian 50M Air - 86669
- 13 - Guardian 50FM Air - 86682
- 13 - Guardian 62 Air - 57007
- 13 - Guardian 62F Air - 57029
- 14 - Big Vision Air - 73314

13. ZOZNAM DIELOV A VÝKRES ZOSTAVY (str. 5)

- 1 - Böhler Air (kompletná ventilačná súprava) - 86692
- 2 - jednotka motora - 86668
- 3 - filter častic P R SL (4 ks) - 86645
- 4 - predfilter (10 ks) - 86655
- 5 - ochrana proti iskrám - 86704
- 6 - kryt filtra - 86657
- 7 - štandardná batéria (5 200 mAh) - 86660
- 7 - batéria na nasadenie v náročných podmienkach (7 800 mAh) - 57075
- 8 - univerzálna nabíjačka - 57081
- 9 - pružná vzduchová hadica vrát. ochrany vzduchovej hadice - 57065
- 10 - komfortný popruh - 57144
- 11 - ramenný popruh - 57146
- 12 - tester prúdenia vzduchu - 57184
- 15 - čelné tesnenie kukly - 57182
- 16 - vak Böhler (modrá) - 57186
- 16 - vak Böhler (črna) - 86702

14. TECHNICKÉ ÚDAJE

Böhler Air je ľahký a jednoducho ovládateľný systém PAPR. Je vybavený výmenným filtrom častíc. Systém poskytuje spoľahlivú ochranu pred časticami a aerosólmi.

- » Prúdenie vzduchu: 180 až 220 litrov/min s minimálnym prietokom 170 litrov/min, pri ktorom sa spustí alarm.
- » Hmotnosť s filtrom a batériou: 870 gramov
- » Prevádzková teplota od 0 °C do +40 °C
- » Typ filtra: P R SL
- » Typ batérie: Vymeniteľná a dobíjateľná, lítiovo-iónová 7,4 V/5 200 mAh
- » Počet cyklov nabíjania > 350 r
- » Vizualný alarm pri nízkom napätí batérie
- » Vizualne a zvukové alarmy pri nedostatočnom prietoku (pod 170 l/min)
- » Menovitý ochranný faktor (NPF = Nominal protection factor): 500
- » Úroveň hluku: 65 dB
- » Prevádzkový čas viac ako 8 hodín pri minimálnom prietoku s novým filtrom a úplne nabitou batériou v čistom prostredí (6 hodín pri maximálnom prietoku). V používaní v reálnych podmienkach môže byť prevádzkový čas značne kratší v závislosti od hladiny kontaminantov v prostredí.
- » **Upozornenie! Prevádzkový čas môže byť skrátený v prípade upchatého filtra a nabitej batérie.**

Certifikácia EN 12941:1998 + A1:2003 + A2:2008

Certifikačný orgán: APAVE SUDEUROPE SAS, oboznámený orgán 0082
13322 MARSEILLE
CEDEX 16
Francúzsko

Tento osobný ochranný prostriedok spĺňa nasledujúce aplikovateľné normy EÚ:



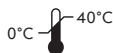
EN 12941:1998+A1:2003+A2:2008
EN166B:2001
EN379:2003 +A1:2009 EN175B

Symboly:

Pozri návod na používanie od výrobcu:



Skladujte pri teplotách 0 – 40 °C (stupne Celzia):



Skladujte do:



Maximálna vlhkosť vzduchu pri skladovaní < 75 %:



Symboly na filtri:

R = znamená, že sa filter môže opakovane používať viac ako jednu pracovnú zmenu.

S = znamená, že filter chráni pred pevnými časticami.

L = znamená, že filter chráni pred kvapalnými časticami.

15. ZÁRUKA

Záručná doba na mechanické alebo elektrické chyby jednotky Böhler Air je 12 mesiacov od dátumu kúpy. Záručná doba batérie Böhler je 12 mesiacov od dátumu výroby.

Firma voestalpine Böhler Welding sa zaväzuje v rámci tejto doby bezplatne vymeniť alebo opraviť akékoľvek chybné diely. Alternatívne môže firma voestalpine Böhler Welding podľa vlastného uváženia zabezpečiť náhradu.

Predpoklady tejto záruky:

Jednotka Böhler Air bola používaná výlučne na určený účel. Jednotka Böhler Air nebola predmetom nesprávneho používania, havárie, úpravy ani opravy.

Nota bene: v prípade reklamácie kontaktujte maloobchodného predajcu, u ktorého ste si jednotku Böhler Air zakúpili.

Táto záruka nepokrýva normálne opotrebovanie spôsobené používaním.

Táto záruka nemá vplyv na vaše zákonné nároky.

Guardian Air

BRUKSANVISNING FÖR FRISKLUFTSSYSTEM

Godkänd enligt BS EN 12941 : 1998 - A1:2003+A2:2008 TH3 - ANDNINGSSKYDD – ELDRIVEN FILTERANORDNING, FÖR EN SERIE SVETSHJÄLMAR - KLASS TH3 P R SL

ÖVERSÄTTNING AV BRUKSANVISNINGEN

Tillverkaren förbehåller sig rätten att när som helst och utan föregående meddelande göra sådana ändringar och tillägg i denna bruksanvisning som blir nödvändiga på grund av tryckfel, felaktigheter eller produktförbättringar. Sådana ändringar kommer dock att införlivas i efterföljande utgåvor av bruksanvisningen.

Våra senaste produktokument samt alla kontaktpuppgifter för **voestalpine Böhler Welding** finns på vår webbplats på följande adress: www.voestalpine.com/welding.

VIKTIGT!

Denna bruksanvisning måste läsas och förstås innan utrustningen används.
Bruksanvisningen måste sparas för framtida referens.

OBLIGATORISK INFORMATION FÖR ANVÄNDNING AV ETT ELDRIVET, LUFTRENADE ANDNINGSSKYDD FÖR SVETSHJÄLMAR.

Det är absolut nödvändigt att du följer bruksanvisningarna noggrant när du använder ett PAPR (powered air purifying respirator) friskluftssystem. Underlåtenhet att följa dessa anvisningar kan ogiltigförklara eventuella garantier som erbjuds eller finns tillgängliga för produkten. Vi hänvisar till villkoren i ditt köpeavtal för produkten för specifika detaljer som täcks i en sådan garanti.

Produkten är utformad för att skydda din hälsa och ditt välbefinnande. Underlåtenhet att följa dessa bruksanvisningar kan även ha en negativ påverkan på din hälsa/ditt välbefinnande.

Läs igenom bruksanvisningarna noggrant innan du packar upp din produkt.

Ingen rekommendation ges avseende lämpligheten av den här produkten för dina behov. Om du har frågor om denna produkts lämplighet för din uppgift, kontakta en yrkeshygieniker.

Adress- och kontaktpuppgifter finns på sidan 2.

INNEHÅLL

1. Introduktion
2. Användningsområde
3. Godkännanden
4. Förutsättningar för användning
5. Systemöversikt
6. Uppackning / Montering
7. Före användning
8. Användning
9. Underhåll / Rengöring
10. Felsökning
11. Förvaring och transport
12. Lista över certifierade hjälmsystem
13. Dellista och montering
14. Tekniska data
15. Garanti

1. INTRODUKTION

Guardian Air är ett andningsskydd som är baserat på principen om luftcirkulation med övertryck i hjälmen. Den bältesmonterade fläktenheten tillför luft genom ett filter och via en luftslang in i hjälmen. Tillförseln av filtrerad luft skapar ett positivt tryck inne i hjälmen, vilket hindrar extern förorenad luft från att komma in i användarens andningszon.

2. ANVÄNDINGSOMRÅDE

Friskluftssystemet passar alla tillämpningar där EN 12941-certifiering godtas. Enheten är inte lämplig för svetsning i trånga utrymmen. (Se 4 Förutsättningar för användning)

3. GODKÄNNANDEN

Guardian Air har utformats och tillverkats i enlighet med EN 12941: 1998 - A1:2003+A2:2008 som en TH3 P R SL-enhet.

BS 4275 (Guide för tillämpning av ett effektivt andningsskydds program), som användaren rekommenderas att läsa, definierar en EN 12941 TH3 P R SL-enhet som en nominell skyddsfaktor på 500.

Friskluftssystemet kan endast ge denna skyddsnivå när den används med filter från tillverkaren som är märkta "Böhler" och "EN 12941:1998 TH3P R SL".

Svetshjälm är certifierade enligt EN 175B

Friskluftssystemen tillverkas under kvalitetssystem ISO 9001:2000.

4. FÖRUTSÄTTNINGAR FÖR ANVÄNDNING

Guardian Air måste användas helt i enlighet med denna bruksanvisning och de instruktioner som följer med motsvarande hjälm.

Användaren måste läsa och förstå alla följande användarinstruktioner noggrant för att kunna använda andningsskyddet på rätt sätt. Vid eventuella frågor, vänd dig till tillverkarens ombud som anges på sidan 2.

När friskluftssystemet är avstängt ger den enbart lite eller inget andningsskydd. När friskluftssystemet är avstängt kan koldioxid snabbt byggas upp i hjälmen och syrebrist uppstå, därför **är det viktigt att inte använda friskluftshjälmen när fläkten är avstängd.**

GUARDIAN AIR FÅR EJ ANVÄNDAS:

- » I en miljö som är direkt farlig för användarens hygien eller hälsa och/eller med ett syrenehåll på under 19,5 % eller som innehåller ökända ämnen.
- » Tränga utrymmen eller oventilerade områden, t.ex. cisterner, rör, kanaler, etc.
- » Nära lågor och/eller gnistor.
- » I områden med explosionsrisk.
- » I områden med kraftig bläst.
- » Om fläktenheten slutar att fungera av någon anledning måste användaren lämna det förorenade området omedelbart.

DET ÄR ÄVEN VIKTIGT ATT:

- » Ingenting kommer åt de rörliga delarna.
- » Inga försök att modifiera eller ändra friskluftssystemet eller filtret görs.
- » Vatten eller andra vätskor inte kommer in i enheten på något sätt – i synnerhet i motorn eller fläkten, filtret eller batteriet.

Se till att hjälmen passar användarens ansikte perfekt. Enbart då är systemets effektivitet tillräcklig. Hela systemets skyddsfaktor reduceras om tätningen inte sitter ordentligt, till exempel på grund av skäggväxt eller långt hår som kommer emellan tätningen och ansiktet.

Slangen till hjälmen kan eventuellt fastna under användning. Friskluftssystemet ska sättas på så att den eventualiteten minskar.

Filtret kan inte sättas på direkt på hjälmen och ska inte anpassas för att kunna göra det.

Man får inte rätt andningsskydd om delar av utrustningen ändras på något sätt.

Vid mycket höga arbetshastigheter kan trycket i friskluftssystemet slå över till negativt då inhalationsflödet når sin topp. Vid tveksamheter bör användaren kontakta sin lokala hälsa- och säkerhetspersonal och vidta godtagbara åtgärder för riskbedömning.

Friskluftssystemen ska enbart användas av kompetent och utbildad personal.

OBS!

Om några av dessa villkor inte uppfylls eller åtföljs blir garantin automatiskt ogiltig.

ANVÄNDAREN REKOMMENDERAS ATT LÄMNA DET FÖRORENADE OMRÅDET OMEDELBART OM:

- » Varningslarmet för tillverkarens minimiinställning för luftgenomströmning (MMDF) ljuder
- » Det blir svårt att andas
- » Yrsel eller obehag uppstår
- » Någon del av systemet skadas
- » Luftflödet in i hjälmen minskar eller upphör
- » Lukt eller smak av förorening känns inne i hjälmen
- » Material som kan komma i kontakt med användarens hud inte normalt ger allergiska reaktioner på individer, men som oväntat ger en reaktion, ska användaren omedelbart lämna det förorenade området, avlägsna enheten och kontakta läkare.

5. SYSTEMÖVERSIKT

Guardian Air är ett bältesmonterat andningsskydd med ett utbytbar och högeffektivt partikelfilter som kan slängas efter användning. Systemet är certifierat med de hjälmar som omfattas i avsnitt 10 och täcker huvudstorlekar från 535 till 600 mm omkrets.

Friskluftssystemet omfattar ett avtagbart 8-timmars uppladdningsbart batteripaket. (8 timmar i en ren miljö – i en verkstad kan tiden minska avsevärt beroende på partikelnivåerna i miljön)

Guardian Air varnar användaren med ett hörbart larm och blinkande lysdioder när ett MMDF-värde på 170 l/min inte uppnås.

Användaren måste omedelbart lämna arbetsområdet och förflytta sig till ett utsett säkert område om larmet ljuder under användning. Friskluftssystemet har visuellt larm för lågt batteri samt hörbart och visuellt larm för ett blockerat filter. Beroende på fel, bör användaren byta ut filtret mot ett nytt (i mycket dammiga miljöer behöver filtret bytas ut ofta) och/eller ladda upp eller byta ut batteriet mot ett fulladdat. Användaren bör inte återvända till arbetsplatsen förrän friskluftssystemet fungerar med larmet avstängt och flödes hastigheten har testats och är godtagbar.

Filtret har utveckats speciellt för denna enhet. Det används för att filtrera luften som användaren andas in. Det är viktigt att användaren kontrollerar att filtret inte visar några tecken på skada eller deformation som kan leda till att förorenad luft kommer in i systemet. Det är viktigt att användaren kontrollerar att filtret inte är skadat eller om det är så igensatt att det kan utlösa systemets larm.

Det avtagbara, uppladdningsbara batteriet som används är ett litiumjonbatteri. Vid leverans kan batteriet vara lite uppladdat, men friskluftssystemet bör köras slut och sedan laddas under sexton timmar före första användningen.

6. UPPACKNING / MONTERING

6.1. Uppackning

Kontrollera att paketet är helt och att ingen del är skadad i transporten eller av någon annan orsak.

Ett paket med ett komplett friskluftssystem inklusive tillbehör innehåller:

- » Guardian Air inkl. batteri och P R SL-filtret och förfiltret
- » Bälte
- » Luftslang
- » Luftflödesindikator
- » Batteriladdare
- » Bruksanvisning

6.2. Montering

Fäst fläktenheten på bältet: För in den inre remmen genom baksidan av fläktens öglor. För sedan in den genom bältets öglor och därefter genom spännet. (Fig. 1 / sid. 4)

Montera batteriet på fläktenheten. (Fig. 3 / sid. 4)

6.2.1. Justera midjebälte:

Sätt bältet runt midjan med friskluftssystemet mot ryggen och sätt ihop de två ändarna.

Om bältet sitter för löst, dra hansidan av spännet utmed bältet, mot honsidan av spännet. Om bältet sitter för hårt, dra hansidan av spännet ifrån honsidan av spännet.

Upprepa proceduren tills du får en bekväm och säker passning. När bältet sitter korrekt, fäst den uthängande delen av bältet i bältesöglorna. (Fig. 5 / sid. 4)

6.2.2. Partikelfilter

Använd endast Böhler-märkta filter från voestalpine Böhler Welding. Användning av andra filter kommer att göra eventuella garantier ogiltiga och/eller leda till allvarlig hälsorisk för den användare som använder produkten.

Det bör först fastställas genom att rådfråga en yrkeshygieniker eller genom att ringa tillverkarens tekniska hjälplinje om Böhler-märkta filter ger lämpligt skydd mot faran.

Guardian Air är utrustad med högeffektiva partikelfilter i klass P R SL.

Så snart varningslarmet ljuder, bör förfiltret bytas ut eller kontrolleras. I mycket dammiga områden kan det vara nödvändigt att göra det regelbundet.

Filtren måste kontrolleras (se 7.2 Luftflödesmätning) och bytas ut regelbundet. Filtren är avsedda att bytas ut och får inte rengöras/återanvändas.

Se till att de nya filtren används före utgångsdatum, är oanvända och inte uppvisar skada.

Ur hygienisk synvinkel är den maximala användningstiden för ett huvudfilter 2 veckor eller 90 timmar, beroende på vad som är störst, och bör inte överskridas.

VARNING!

Det är viktigt att användaren inte förväxlar markeringarna på filtret som avser någon annan standard än EN12941 1998 -A1:2003+A2:2008 med enhetens klassificering när den används med detta filter.

6.2.3. Ta bort filtren och montera nya filter

Öppna filterluckan genom att dra luckan utåt från fläktens högra sida. (Fig. 6 / sid. 4)

OBS! Det är strängt förbjudet att använda verktyg för att öppna filterkåpan.

För att ta bort filtret drar du ut det ur enheten. Rengör enheten från damm så att inget damm kommer in i luftintaget.

Sätt tillbaka det nya filtret på plats. (Fig. 7 / sid. 4) Tryck in det försiktigt tills det passar bra på enhetens kropp.

Stäng filterluckan. Var särskilt uppmärksam, filterlocket snäpper fast på plats när det är ordentligt stängt. Försök inte att använda fläktaggregatet utan att locket är korrekt monterat.

6.2.4. Byta förfiltret (Fig. 7 / sid. 4)

Förfiltret är en hylsa som monteras över huvudfiltret. För att ta bort/byta ut drar du helt enkelt ut det gamla filtret och sträcker ut det nya på plats. Det är viktigt att se till att huvudfiltrets filtermedia täcks helt av förfiltret.

6.2.5. Ansluta slangens till friskluftssystemet:

Rikta in stiftet på slangens bajonettkoppling mot spåren i friskluftssystemets luftutlopp. Tryck in bajonettkopplingen i fläktenheten tills den når botten av hålet och vrid den sedan medurs tills placeringsstiftet kläms på plats.

Anslut slangens till hjälmen med samma förfarande.

6.2.6. Ta på sig Böhler Guardian Air-hjälmar:

1. Ställ in svetshjälmens lutning och justera svetsfiltret så att det passar. (Se hjälmens bruksanvisningar)
2. Lyft upp hjälmen till dess övre läge.
3. Placera det över huvudet och justera huvudbonadens spärrved genom att trycka in det och vrida tills du uppnår en tillfredsställande täthet.
4. Dra det elastiska hakskyddet nedåt och dra samtidigt ner hjälmen. Se till att det elastiska hakskyddet passar bekvämt under hakan.
5. Svetshjälmen kan nu användas.

7. FÖRE ANVÄNDNING

7.1. Kontrollera före användning:

Varje gång innan du börjar arbeta, kontrollera att:

- » Alla komponenter är i gott skick utan synliga skador (t.ex. hål, revor, m.m.) Byt ut alla skadade eller slitna delar. Undersök luftslangen, tätningar och ansiktsstycket noggrant.
- » Anslutningen mellan luftslangen och hjälmen, samt till friskluftssystemet, fungerar bra.
- » Luftflödet är tillräckligt. (se 7.2. Luftflödesmätning)
- » Luften tillförs genom hela friskluftssystemet från fläkten till hjälmen.
- » Ladda batteriet innan du använder det första gången och kontrollera att batteriet har tillräcklig laddning före varje följande användning. (se 7.3. Batterier)
- » **Se till att larmen fungerar korrekt (se 8. Användning)**

7.2. Luftflödesmätning: (Fig. 4 / sid. 4)

1. Koppla bort luftslangen från fläktenheten.
2. Sätt in luftflödesindikatorn i luftslangsanslutningen och håll slangens i vertikalt läge ungefär i ögonhöjd.
3. Slå på strömenheten. Luftflödet är endast tillräckligt om kulindikatorn når den lägsta flödesnivån. Om indikatorn sjunker under lägsta flödesnivån är det nödvändigt att ladda batteriet eller byta ut filtret. Om problemet kvarstår, se avsnitt 10 för ytterligare förslag.

7.3. Batterier

OBS! Batterierna som medföljer är enbart delvis laddade. Alla batterier måste laddas innan de används för första gången. Batteriet kan laddas separat eller monterad på fläktenheten.



VARNING

Det är viktigt att batteriladdaren som används för att ladda produkten är den som medföljer när produkten mottogs och är en batteriladdare som är godkänd av tillverkaren. Användning av andra batteriladdare kommer att göra eventuella garantier ogiltiga och/eller leda till allvarlig hälsorisk för den användare som använder produkten, från brand eller explosion.

Laddaren får inte användas för andra ändamål än för det den vart tillverkad. Ladda inte batteriet i en potentiellt explosiv miljö. Batteriladdaren är avsedd för användning inomhus. Den måste skyddas mot fukt. Laddaren styr laddningen automatiskt. När batteriet har laddats upp växlar laddaren till underhållsladdning och håller batteriet fulladdat. Laddningstiden är 4-6 timmar.

7.3.1. Batteriladdning



Kontrollera att den elektriska nätspänningen är korrekt.

1. **Kontrollera att batteriladdaren som används för att ladda produkten är den som medföljde när produkten mottogs och är en batteriladdare som är godkänd av tillverkaren. Det är viktigt att enbart den medföljande laddaren används. Underlåtenhet att göra det kan orsaka allvarlig risk för brand eller explosion.**
2. Anslut laddaren till uttaget. Antingen direkt in i fläktenheten när batteriet har monterats eller direkt in i batteriet.
3. Anslut batteriet till laddaren. Batteriets uttag är placerat på baksidan.
4. Laddningsstatus indikeras med en röd lysdiod.
5. När uppladdningen är klar aktiveras underhållsladdningen – röd lysdiod släcks, grön lysdiod tänds då underhållsladdningen påbörjas.
6. Koppla loss laddaren från strömförsörjningen.

Lämna inte batteriladdaren i strömuttaget om den inte används!

7.3.2. Byta batteri

Avlägsna batteriet:

Lokalisera batteripaketet. Dra tillbaka batteripaketet och lyft samtidigt upp batteriet för att avlägsna det.

Montera batteriet:

Se till att batteriet är rätt placerat (uppåt, enligt 6.2) och skjut sedan in det i fläktenheten tills batteripaketet kopplas fast. Det är viktigt att batteripaketet är helt låst. (Fig. 3 / sid. 4)

8. ANVÄNDNING

Slå på fläktenheten genom att trycka på ON/OFF-knappen på kontrollpanelen. Luftflödet kan justeras genom att trycka på knapparna plus (+) och minus (-) från 180 l/min upp till 220 l/min i sex hastigheter. De gröna lysdiодerna visar aktuell luftflödesnivå. Observera att för varje knapptryckning är det nödvändigt att hålla knappen intryckt i 2 sekunder för att ändringen ska ske. Detta för att undvika oavsiktliga förändringar. (Fig. 2 / sid. 4)

Guardian Air säkerställer ett konstant luftflöde. Mikroprocessorn i uti enheten reglerar automatiskt motorhastigheten för att filtret inte ska sättas igen och kompensera batteriets tillstånd. Om mikroprocessorn inte kan hålla kvar det justerade luftflödet kommer enheten att avge ett "pipande" larm (en akustisk signal hörs), och då måste användaren kontrollera friskluftssystemet. Om möjligt, minskar mikroprocessorn automatiskt luftflödet till följande lägre nivå, och om den inte kan upprätthålla den lägre nivån kommer larmet fortfarande att ljuda. När luftflödet faller under den lägsta säkra driftsnivån, kommer även ett andra hörbart larm att ljuda. Då måste användaren omedelbart sluta arbeta, lämna arbetsmiljön och förflytta sig till ett utsett säkert område och byta filter eller ladda upp/byta batteriet.

Det är nödvändigt att blockera luftutloppet med handflatan eller på andra lämpliga sätt för att kontrollera larmen.

När friskluftssystemet är på kommer motorn sedan att försöka kompensera genom att öka hastigheten tills mikroprocessorn larmar, enligt tidigare beskrivning.

För att kontrollera batteriet: När du först startar upp enheten kommer batteriets lysdioder att blinka rött på kontrollpanelen och sedan släckas. Om lampan fortsätter att lysa indikerar det låg batterinivå och att det behöver laddas. Det rekommenderas att endast fulladdade batterier används när ett arbetsskift påbörjas.

Med ett fulladdat batteri på plats ska enheten fungera normalt, men om det hörbara larmet fortfarande ljuder måste användaren byta ut filtret. Om problemet kvarstår, se avsnitt 10 för ytterligare förslag.

9. UNDERHÅLL / RENGÖRING

Fläktenheten, filterhöljet och hjälmen måste alla rengöras regelbundet för att hålla dem i gott skick.

Vid en användare kan kan alla enheter rengöras med en trasa fuktad med ljummet vatten och tvål.

Vid flera användare bör enheterna desinficeras innan de lämnas över från en användare till en annan.

Vätskor får inte komma in i friskluftssystemet eller in i filterelementen.

Alla delar bör lufttorkas. Under inga omständigheter bör lösningsmedel eller rengöringsmedel med slipeffekt användas. Enheten får inte torkas med varm luft eller strålningsvärme.

Friskluftssystemet bör fortsätta att ge skydd för det den är avsedd under 2 till 3 år om den underhålls enligt dessa anvisningar. Före varje användning bör användaren efter behov kontrollera att friskluftssystemet inte har några defekter, såsom sprickor, kluvna filter och slangar, spruckna visir och hjälmkomponenter.

10. FELSÖKNING

Om en plötslig förändring sker i luftflödet medan systemet används, är det nödvändigt att kontrollera följande:

- » Att alla delar i lufttillförselsystemet är korrekt monterade
- » Batteriet och dess kontaktton
- » Att batteriet inte är defekt eller fungerar dåligt
- » Filter och igensättning
- » Att det inte är ett hål i slangen
- » Att hjälmens tätning inte är skadad
- » Att arbetstiden efter en fullständig laddning av batteriet inte har minskat (om så är fallet är det nödvändigt att byta ut batteriet).

| FEL | TROLIG ORSAK | REKOMMENDATION |
|--|--|--|
| Friskluftssystemet fungerar inte alls | <ul style="list-style-type: none"> » Helt urladdat batteri (verifiera att fläktenheten fungerar med ett annat laddat batteri) » Defekt motor, kretskort eller kontaktton | <ul style="list-style-type: none"> » Ladda batteriet (om problemet kvarstår, kontrollera batteriet) » Kontakta din leverantör |
| Lågt luftflöde | <ul style="list-style-type: none"> » Blockerad luftslang eller luftkanal » Läckage » Batteriet är inte tillräckligt laddat » Blockerat filter eller förfilter. | <ul style="list-style-type: none"> » Kontrollera och ta bort blockeringen. Kontrollera alla tätningar, kontaktton och luftslangen. Se till att luft inte kan läcka genom hål eller revor. » Ladda batteriet (om problemet kvarstår, kontrollera batteriet) » Byt ut förfiltret. Om problemet kvarstår, byt ut huvudfiltret. |
| Kort driftstid | <ul style="list-style-type: none"> » Igensatt filter » Batteriet är inte tillräckligt laddat | <ul style="list-style-type: none"> » Byt ut filtren. » Ladda batteriet (Om problemet kvarstår, kontrollera batteriet) |
| Batteriet kan inte laddas | <ul style="list-style-type: none"> » Batterikontakten är skadad » Laddaren är defekt | <ul style="list-style-type: none"> » Kontrollera batterikontakten. » Kontakta din leverantör |
| Batteriet kan inte laddas tillräckligt | <ul style="list-style-type: none"> » Batteriet är uttjänt | <ul style="list-style-type: none"> » Installera ett nytt batteri. |

11. FÖRVARING OCH TRANSPORT

Närfläkten och huvudenheterna inte används eller transporteras ska de förvaras i boxen som de levererades i, eller en liknande box, så att de inte utsätts för direkt solljus, kommer i kontakt med lösningsmedel eller kan skadas genom fysisk kontakt med hårda ytor/föremål. Förvara inte utanför temperaturintervallet +0°C till +40°C eller luftfuktighet över 75 % RF.

12. CERTIFIERADE HJÄLMSYSTEM (sid. 5)

- 13 - Guardian 50M Air - 86669
- 13 - Guardian 50FM Air - 86682
- 13 - Guardian 62 Air - 57007
- 13 - Guardian 62F Air - 57029
- 14 - Big Vision Air - 73314

13. DELLISTA OCH MONTERING (sid. 5)

- 1 - Guardian Air (komplett fläksats) - 86692
- 2 - motorenhet - 86668
- 3 - partikelfilter P R SL (4 st..) - 86645
- 4 - förfilter (10 st.) - 86655
- 5 - gnistskydd - 86704
- 6 - filterkåpa - 86657
- 7 - slitstarkt batteri (5 200 mAh) - 86660
- 7 - slitstarkt batteri (7 800 mAh) - 57075
- 8 - universalladdare - 57081
- 9 - flexibel luftslang inkl. luftslangsskydd - 57065
- 10 - komfortbälte - 57144
- 11 - axelrem - 57146
- 12 - luftflödesmätare - 57184
- 15 - ansiktstätning för hjälm - 57182
- 16 - Böhler-väska (blå) - 57186
- 16 - Böhler-väska (svart) - 86702

14. TEKNISKA DATA

Guardian Air är ett lätthanterligt PAPR-system med låg vikt. Det är utrustat med ett utbytbart partikelfilter. Systemet ger tillförlitlig skydd mot partiklar och aerosoler.

- » Luftflöde: 180 till 220 l/minut med en lägsta flödes hastighet på 170 l/min för att larmet ska ljuda.
- » Vikt med filter och batteri: 870 g
- » Drifttemperatur mellan 0°C och +40 °C
- » Filtertyp: P R SL
- » Batterityp: Utbytbart och uppladdningsbart litiumbatteri 7,4 V / 5 200 mAh
- » Laddningscykler >350 ggr
- » Visuellt larm för låg batterispänning
- » Visuella och hörbara larm för otillräcklig flödes hastighet (under 170 l/min)
- » Nominell skyddsfaktor (NPF = Nominal protection factor): 500
- » Ljudnivå: 65 dB
- » Drifttid mer än 8 timmar på lägsta flödes hastighet med ett nytt filter och fulladdat batteri i en ren omgivning. (6 timmar på högsta flödes hastighet) Vid faktisk användning kan drifttiderna minska avsevärt beroende på föroreningsnivån i omgivningen.
- » **Obs! Drifttiden kan kortas ner om filtret är igensatt och batteriet inte är tillräckligt laddat**

Certifiering EN 12941:1998+A1:2003+A2:2008

Certifierad av: APAVE SUDEUROPE SAS Anmätt organ 0082
13322 MARSEILLE
CEDEX 16
Frankrike

Den personliga skyddsutrustningen uppfyller följande tillämpliga EU-standarder:



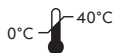
EN 12941:1998+A1:2003+A2:2008
EN166B:2001
EN379:2003+A1:2009 EN175B

Symboler:

Se tillverkarens bruksanvisning:



Förvara mellan 0–40°C
(Grader Celsius):



Skkladuete do:



Maximal förvaring
Luftfuktighet <75 %



<75%

Filtersymboler:

R = innebär att filtret kan återanvändas under mer än ett skift.

S = innebär att filtret skyddar mot solida partiklar.

L = innebär att filtret skyddar mot likvida partiklar.

15. GARANTI

Guardian Air garanteras under 12 månader från inköpsdatumet mot mekaniska eller elektriska defekter.

Böhlers batteri garanteras under 12 månader från tillverkningsdatum.

voestalpine Böhler Welding åtar sig att kostnadsfritt byta ut eller reparera alla delar som visar sig vara defekta inom denna period. Alternativt, och efter eget gottfinnande, kan voestalpine Böhler Welding byta ut.

Denna garanti gäller under förutsättning att:

Guardian Air endast har använts för dess avsedda ändamål. Guardian Air inte har utsatts för missbruk, olycka, ändring eller reparation.

Observera att i händelse av anspråk ska återförsäljaren som sålde Guardian Air kontaktas.

Denna garanti täcker inte normalt slitage.

Denna garanti påverkar inte dina lagliga rättigheter.

Guardian Air

PAPR SİSTEMLERİ İÇİN KULLANICI TALİMAT KILAVUZU

BS EN12941 uyarınca onaylı: 1998 - A1:2003+A2:2008 TH3

SOLUNUM KORUMA CİHAZI - KAYNAKÇI BAŞLIĞI SERİSİ İÇEREN ELEKTRİKLİ FİLTRELEME CİHAZI
SINIF TH3 P R SL

KULLANICI TALİMATININ ÇEVİRİSİ

Üretici, herhangi bir zamanda ve önceden bildirimde bulunmaksızın, baskı hataları, yanlışlıklar veya ürün geliştirmeleri nedeniyle bu kullanıcı talimatında gerekli olan değişiklikleri ve düzeltmeleri yapma hakkını saklı tutar. Ancak bu tür değişiklikler, kullanım kılavuzunun sonraki baskılarına dahil edilecektir.

En son ürün belgelerimiz ve **voestalpine Böhler Welding**'in tüm iletişim bilgileri şu adresteki web sitemizde bulunabilir:
www.voestalpine.com/welding.

ÖNEMLİ!

Bu kullanıcı talimat kılavuzu ekipman kullanılmadan önce okunmalı ve tam olarak anlaşılmalıdır.
Kullanıcı talimat kılavuzu gelecekte başvurmak amacıyla saklanmalıdır.

KAYNAKÇI BAŞLIĞI İÇEREN ELEKTRİKLİ HAVA TEMİZLEME SOLUNUM CİHAZININ KULLANIMI İÇİN ZORUNLU BİLGİLER

PAPR (elektrikli hava temizleme solunum cihazı) sistemini kullanırken/çalıştırırken bu kullanıcı talimatlarının sıkı bir biçimde takip edilmesi zorunludur. Bu talimatların takip edilmemesi ürün (veya ürünler) için sunulan garanti korumasını geçersiz kılabilir. Bu garanti kapsamının ayrıntıları için lütfen ürünle (veya ürünlerle) ilgili satın alma sözleşmenizin şartlarına bakın.

Ürün (veya ürünler) sağlığınıza ve refahınıza korumak için tasarlanmıştır. Bu kullanıcı talimatlarına riayet edilmemesi aynı zamanda sağlığınıza / refahınıza olumsuz yönde etkileyebilir.

Ürününüzü (veya ürünlerinizi) ambalajından çıkarmadan önce lütfen bu kullanıcı talimatlarını dikkatli bir biçimde okuyun.

Bu ürünün ihtiyaçlarınıza uygunluğu ile ilgili olarak herhangi bir tavsiye verilmemiştir. Bu ürünün işinize uygunluğu ile ilgili sorularınız varsa lütfen bir işyeri hijyen uzmanı ile iletişime geçin.

İletişim adresi bilgileri 2. sayfada verilmiştir.

İÇİNDEKİLER

1. Giriş
2. Uygulama alanı
3. Onaylar
4. Kullanım için ön koşullar
5. Sisteme Genel Bakış
6. Ambalajdan Çıkarma / Montaj
7. Kullanmadan Önce
8. Kullanım
9. Bakım / Temizlik
10. Arıza bulma
11. Depolama ve taşıma
12. Onaylı Başlık Sistemleri Listesi
13. Parçalar Listesi ve Montaj Çizimi
14. Teknik veriler
15. Garanti

1. GİRİŞ

Guardian Air, basınçlı havanın başlık içinde devridaim ettirilmesi ilkesine dayanan bir solunum koruma sistemidir. Kemere monteli fan ünitesi bir filtreden ve bir hava hortumundan geçen havayı başlığın içine besler. Filtrelenen havanın beslenmesi, başlığın içinde bir pozitif basınç oluşturarak kontamine olmuş dış havanın kullanıcının nefes alma bölgesine girmesini önler.

2. UYGULAMA ALANI

PAPR sistemi EN12941 sertifikasyonunun kabul edilebilir olduğu tüm uygulamalar için uygundur. Ünite kapalı alanlarda kaynak işlemleri için uygun değildir. (Bkz. 4. Kullanım için ön koşullar)

3. ONAYLAR

Guardian Air, bir TH3 P R SL cihazı olarak EN12941: 1998 - A1:2003+A2:2008'e uygun şekilde tasarlanmış ve üretilmiştir.

Kullanıcının okuması tavsiye edilen BS4275 (Etkili bir solunum koruma cihazı programı uygulama kılavuzu), 500 düzeyinde Nominal koruma faktörü sunan bir EN12941TH3 P R SL cihazını tanımlamaktadır.

PAPR sistemi bu koruma düzeyini yalnızca "Böhler" tarafından üretilmiş ve "EN12941:1998 TH3P R SL" işaretli filtrelerle kullanıldığında sağlayabilmektedir.

Kaynakçı başlıkları EN 175B onaylıdır

PAPR Sistemleri ISO 9001:2000 Kalite Sistemi uyarınca üretilir.

4. KULLANIM İÇİN ÖN KOŞULLAR

Guardian Air bu kullanıcı talimat kılavuzu ve karşılık gelen başlık ile birlikte sunulan talimatlara katı surette uygun şekilde kullanılmalıdır.

Kullanıcının solunum koruma sistemini doğru şekilde kullanabilmek için aşağıdaki „Kullanım Talimatları“nı okuması ve anlaması gerekir. Tüm sorular 2. sayfada verilen üretici iletişim noktalarına yönlendirilmelidir.

PAPR kapatıldığında çok az bir solunum koruması beklenir veya hiç solunum koruması beklenmez. PAPR sistemi kapatıldığında başlık içinde hızlı bir karbon dioksit birikimi ve oksijen tükenmesi meydana gelebilir, dolayısıyla **Fan ünitesinin sistem kapalı iken kullanılmaması önemlidir.**

GUARDIAN AIR AŞAĞIDAKİ DURUMLARDA KULLANILMAMALIDIR:

- » Kullanıcının hijyeni veya sağlığı açısından doğrudan tehlike arz eden veya oksijen içeriği %19,5'ten düşük olan veya bilinmeyen maddeler içeren ortamlarda.
- » Tanklar, borular, kanallar, vb. gibi kapalı alanlarda veya havalandırmasız yerlerde.
- » Alev ve/veya kıvılcıkların yakınında.
- » Patlama tehlikesi bulunan yerlerde.
- » Yüksek hızda rüzgar olan yerlerde.
- » Fan ünitesinin herhangi bir nedenle çalışmayı durdurması halinde kullanıcı kontamine olmuş alanı derhal terk etmelidir.

AYRICA AŞAĞIDAKİ HUSUSLAR DA ÖNEMLİDİR:

- » Hareketli parçalara herhangi bir şeyin temas etmesinin önlenmesi.
- » PAPR sisteminin veya filtrenin herhangi bir şekilde modifiye edilmeye veya değiştirilmeye çalışılmaması.
- » Üniteye – özellikle de motora ve fana, filtreye veya bataryaya – herhangi bir şekilde su veya sıvı girmemesi.

Başlığın kullanıcının yüzüne mükemmel şekilde oturması. Sistem ancak bu şartlar altında yeterli düzeyde etkili olacaktır. Başlık çantasının örneğin conta hattına giren sakal veya uzun saç nedeniyle doğru şekilde oturmaması halinde tüm sistemin koruma faktörü azalır.

Kullanım esnasında başlığa giden hortum bir yere takılabilir. PAPR sistemi kullanıcıya bu olasılık azaltılacak şekilde yerleştirilmelidir.

Filtreler başlığa doğrudan takılamaz ve başlığa doğrudan takılacak şekilde adapte edilmelidir.

Ekipmanın herhangi bir parçasında herhangi bir şekilde modifikasyon yapılması halinde doğru solunum koruması sağlanamaz.

Çok yüksek çalışma hızlarında PAPR sistemindeki basınç pik solunum akışında eksi değerlere düşebilir. Herhangi bir şüphe halinde kullanıcı yerel Sağlık ve Güvenlik personeline danışmalı ve kabul edilebilir risk değerlendirmeleri gerçekleştirilmelidir.

PAPR sistemleri yalnızca işin ehli, gerekli eğitimi almış personel tarafından kullanılmalıdır.

DİKKAT!

Bu koşullardan herhangi birinin takip edilmemesi veya sağlanmaması halinde garanti kendiliğinden geçersiz olacaktır.

AŞAĞIDAKİ DURUMLARDA KULLANICININ KONTAMİNE OLMUŞ ALANI DERHAL TERK ETMESİ TAVSİYE EDİLİR:

- » Üretici Minimum Tasarım Akışı (MMDF) uyarı Alarımının verilmesi
- » Nefes alıp vermenin güçleşmesi
- » Baş dönmesi veya iç sıkıntısı meydana gelmesi
- » Sistemin herhangi bir parçasını hasar görmesi
- » Başlığa giren hava akışının azalması veya durması
- » Başlık içinde kontamine edici maddenin kokusunun veya tadının alınması
- » Kullanıcının cildi ile temas edebilecek malzemelerin birçok insan için alerjik reaksiyona neden olmadığı bilinmektedir ancak beklenmedik bir reaksiyon halinde kullanıcı kontamine olmuş alanı derhal terk etmeli, üniteyi çıkarmalı ve tıbbi yardım almalıdır.

5. SİSTEME GENEL BAKIŞ

Guardian Air değiştirilebilir ve tek kullanımlık yüksek verimli bir partikül filtre sistemi ile donatılmış, kemere monteli bir elektrikli solunum cihazıdır. Sistem, 10. bölümde ele alınan başlıklarla onaylıdır ve bunlar çevresi 535 ila 600mm arasında olan baş boyutlarını kapsamaktadır. PAPR sistemi çıkarılabilir 8 saatlik şarj edilebilir bir bataryaya içerir. (temiz ortamlarda 8 saat – atölyelerde bu süre ortama-kı partikül düzeylerine bağlı olarak önemli ölçüde kısalabilir)

170 L/dk.'lık MMDF değerine ulaşılmadığında Guardian Air kullanıcıyı sesli alarm ve yanıp sönen LED'lerle uyaracaktır. Çalışma sırasında alarm verildiği anda kullanıcı derhal çalışma alanını terk etmeli ve güvenli olduğu belirtilmiş bir alana ulaşmalıdır. PAPR sistemi düşük bataryaya için sesli alarma ve tıkanık filtre için sesli ve görsel alarlara sahiptir. Arıza durumuna bağlı olarak kullanıcıyı filtreyi yenisiyle değiştirmeli (çok tozlu ortamlarda filtrenin sık sık değiştirilmesi gerekir) ve/veya bataryayı şarj etmeli veya tam olarak şarj edilmiş bir bataryaya ile değiştirmelidir. Kullanıcı çalışma yerine ancak alarm kapatılmış halde PAPR sistemi çalışmaya başladıktan ve akış hızının kabul edilebilir düzeyde olduğu test edildikten sonra geri dönmelidir.

Filtre bu ünite için özel olarak geliştirilmiştir. Kullanıcının soluyacağı havayı filtrelemek için kullanılır. Sistemin içine kontamine olmuş hava girişine neden olabilecek hasar veya deformasyon belirtileri açısından kullanıcının filtreyi kontrol etmesi çok önemlidir. Filtrenin hasar görmesi veya sistemde alarm mekanizmasının tetiklenmesine neden olacak düzeyde tıkanması halinde filtre atılmalıdır.

Kullanılan çıkarılabilir şarj edilebilir bataryaya bir Lityum İyon hücredir. Bataryaya ilk tedarik edildiğinde az miktarda şarj edilmiş olabilir, PAPR sistemi bataryaya boşalana kadar çalıştırılmalı ve ardından bataryaya ilk kullanımdan önce on altı saat boyunca şarj edilmelidir.

6. AMBALAJDAN ÇIKARMA / MONTAJ

6.1. Ambalajdan Çıkarma

Ambalaj içeriğinin eksiksiz olup olmadığını ve nakliye sırasında veya başka nedenlere herhangi bir parçanın hasar görüp görmediğini kontrol edin.

Çinde aksesuarlarla birlikte eksiksiz PAPR sisteminin bulunduğu bir ambalaj şunları içerir:

- » Bataryaya ve P R SL filtresi ve ön filtre dahil Guardian Air
- » Kemer
- » Hava hortumu
- » Hava akışı göstergesi
- » Bataryaya şarj cihazı
- » Kullanıcı Talimat Kılavuzu

6.2. Montaj

Fan ünitesini kemere takın: İç kemeri fan ilmeklerinin arkasından geçirin. Kemer ilmeklerinden ve ardından tokadan geçirin. (Şek. 1 / s. 4)

Bataryayı fan ünitesine takın. (Şek. 3 / s. 4)

6.2.1. Bel kemeri ayarı:

PAPR sistemi arkada kalacak şekilde kemeri belinizin çevresine sarın ve iki ucu birbirine bağlayın. Kemer çok gevşekse kemerin altındaki erkek ayar parçasını dışı yarım parçaya doğru kaydırın. Kemer çok sıkıysa. Erkek ayar parçasını dışı yarım parçadan uzağa doğru kaydırın. Kemer konforlu bir biçimde ve tam olarak oturana kadar yukarıda işlemleri tekrarlayın. Kemer belinize doğru şekilde oturduğunda kemerin açığa kalan fazla ucunu kemerin ilmeklerine geçirin. (Şek. 5 / s. 4)

6.2.2. Partikül filtresi

Yalnızca voestalpine Böhler Welding tarafından sağlanan Böhler markalı filtreleri kullanın. Başka filtrelerin kullanılması garanti korumasının geçersiz hale gelmesine ve/veya ürünü (veya ürünleri) kullanan kullanıcının sağlığı açısından ciddi risklere neden olacaktır.

İlk önce Böhler markalı filtrelerin tehlikeye karşı uygun korumayı sağlayıp sağlamayacağı bir işyeri hijyen uzmanına danışarak veya üreticinin teknik yardım hattı aranarak teyit edilmelidir. Guardian Air, sınıf P R SL yüksek verimli partikül filtreleri ile donatılmıştır.

Uyarı alarmı verildiği anda ön filtre değiştirilmeli veya kontrol edilmelidir. Çok tozlu alanlarda bu işlemin sık sık yapılması gerekebilir.

Filtreler düzenli olarak kontrol edilmeli (bkz. 7.2. Hava Akışı Testi) ve değiştirilmelidir. Filtreler temizlenecek / yenisinden kullanılacak şekilde değil değiştirilecek şekilde tasarlanmıştır.

Yeni filtrelerin son kullanma tarihinin geçmediğinden, kullanılmamış olduğundan ve aşırı biçimde hasar görmediğinden emin olun.

Hijyen açısından ana filtrenin maksimum çalışma süresi 2 hafta veya 90 saattir (hangisi daha önce ise) ve bu süre sonunda kullanılmamalıdır.

UYARI!

Kullanıcının filtre üzerindeki EN12941 1998 -A1:2003+A2:2008 dışındaki herhangi bir standartla ilgili işaretleri bu filtre ile kullanılan cihazın sınıflandırması ile karıştırmaması önemlidir.

6.2.3. Filtrelerin çıkarılması ve yeni filtrelerin takılması

Kapağı üfleycinin sağ tarafından dışarı doğru çekerek filtre kapağını açın. (Şek. 6 / s. 4)

DİKKAT! Filtre kapağını açmak için herhangi bir alet kullanmak kesinlikle yasaktır.

Filtreyi çıkarmak için üniteden dışarı çekin. Hava girişine toz girmemesini sağlayarak üniteyi tozdan temizleyin.

Yeni filtreyi yerine geri takın. (Şek. 7 / s. 4) Ünitenin gövdesine tam olarak oturana kadar hafifçe itin.

Filtre kapağını kapatın. Özellikle dikkat edin, filtre kapağı düğün kapatıldığında yerine oturacaktır. Kapak doğru takılmadan üfleme ünitesini kullanmaya çalışmayın.

6.2.4. Ön filtrenin değiştirilmesi (Şek. 7 / s. 4):

Ön filtre, ana filtrenin üzerine takılan bir maşondur. Çıkarmak / değiştirmek için eski filtreyi çekin ve yenisini yerine doğru uzaştırın. Ana filtrenin filtre ortamının tamamen ön filtre tarafından kaplanması sağlamak önemlidir.

6.2.5. Hortumun PAPR sistemine takılması:

Hortum bayonet konnektörü pimlerini PAPR sisteminin hava çıkışındaki yuvalarla hizalayın. Bayonet konnektörü deliğin dibine ulaşana kadar itin ve ardından konumlandırma pimleri yerine oturana kadar saat yönünde çevirin.

Hortum başlığa da aynı şekilde takılır.

6.2.6. Böhler Guardian Air başlıklarının takılması:

1. Kaynakçı başlıklarını meyilli olarak ayarlayın ve kaynak filtresini buna uyacak şekilde ayarlayın. (Başlığın kullanıcı talimatlarına bakın)
2. Başlığı yukarı konuma kaldırın.
3. Başlığın üzerine yerleştirin ve başlığın cırcırlı makarasını tatmin edici bir sıkılık elde edilene kadar içeri doğru iterek ve döndürerek ayarlayın.
4. Elastik çene korumasını ve başlığı aynı anda aşağı doğru çekin. Elastik çene korumasının çenenizin altına konforlu bir biçimde oturduğundan emin olun.
5. Kaynakçı başlığı artık kullanıma hazırdır.

7. KULLANMADAN ÖNCE

7.1 Kullanmadan önce inceleme:

İşe başlamadan önce her seferinde şunları kontrol edin:

- » Tüm bileşenler görünür hasar (delikler, yırtıklar, vb.) olmaksızın iyi bir durumda. Hasarlı veya aşınmış parçaları değiştirin. Hava hortumunu, contaları ve yüz parçasını dikkatli bir biçimde inceleyin.
- » Hava hortumu, başlık ve PAPR sistemi arasında iyi bir bağlantı var.
- » Yeterli hava akışı var. (bkz. 7.2. Hava Akışı Testi)
- » Fandan başlığa kadar tüm PAPR sistemi boyunca hava beslenir.
- » İlk kullanımdan önce bataryayı şarj edin ve sonraki her kullanımdan önce bataryada yeterince şarj olup olmadığını kontrol edin. (bkz. 7.3. Bataryalar)
- » **Alarmların doğru şekilde çalıştığından emin olun (bkz. 8. Kullanım)**

7.2. Hava akışı testi: (Şek. 4 / s. 4)

1. Hava hortumunu fan ünitesinden çıkarın.
2. Hava akışı göstergesini hava hortumu konnektörüne takın ve hortumu yaklaşık göz hizasında dikey konumda tutun.
3. Güç ünitesini açın. Hava akışı, ancak bilyeli gösterge minimum akış hızı düzeyine ulaşıyorsa yeterlidir. Gösterge minimum akış hızı düzeyinin altına iniyorsa bataryanın şarj edilmesi veya filtrenin değiştirilmesi gerekir. Sorun devam ederse ek öneriler için 10. bölüme bakınız.

7.3. Bataryalar

NOT ! Bataryalar yalnızca kısmen şarj edilmiş olarak teslim edilir. Tüm bataryalar ilk defa kullanılmadan önce şarj edilmelidir. Batarya çıkarılmış halde veya fan ünitesine takılı iken şarj edilebilir.



UYARI

Ürünü (veya ürünleri) şarj etmek için kullanılan batarya şarj cihazının ürünü (veya ürünleri) aldığınız anda size teslim edilen şarj cihazı ve üretici tarafından onaylanmış bir batarya şarj cihazı olması gerekir. Başka bir batarya şarj cihazının

kullanılması garanti korumasının geçersiz hale gelmesine ve/veya yangın veya patlama nedeniyle ürünü (veya ürünleri) kullanan kullanıcının sağlığı açısından ciddi risklere neden olacaktır.

Şarj cihazı ürettiği amaç dışındaki başka amaçlar için kullanılmamalıdır. Bataryayı patlama potansiyeli olan ortamlarda şarj etmeyin. Batarya şarj cihazı iç mekanda kullanım için tasarlanmıştır. Neme karşı korunmalıdır. Şarj cihazı şarj işlemini otomatik olarak kontrol eder. Batarya şarj edildikten sonra şarj cihazı dengeleme şarjı rejimine geçer ve bataryayı tamamen şarj edilmiş halde tutar. Şarj süresi 4 ila 6 saattir.

7.3.1. Bataryanın değiştirilmesi



1. Elektrik güç kaynağı geriliminin doğru olup olmadığını kontrol edin.
2. **Ürünü (veya ürünleri) şarj etmek için kullanılan batarya şarj cihazının ürünü (veya ürünleri) aldığınız anda size teslim edilen şarj cihazı ve üretici tarafından onaylanmış bir batarya şarj cihazı olup olmadığını kontrol edin. Yalnızca tedarik edilmiş olan şarj cihazının kullanılması önemlidir. Aksi halde ciddi yangın veya patlama riski ortaya çıkabilir.**
3. Şarj cihazını prize takın. Batarya takılı ise fana veya bataryaya takılı değilse doğrudan bataryaya yönlendirin.
4. Bataryayı şarj cihazına bağlayın. Bataryanın prizi arka tarafında bulunur.
5. Şarj durumu kırmızı bir LED diyet ışık ile belirtilir.
6. Şarj işlemi tamamlandıktan sonra dengeleme şarjı rejimi etkinleştirilir: - dengeleme şarjı sırasında kırmızı LED diyet söner, yeşil LED diyet yanar.
7. Şarj cihazını güç kaynağından çekin.

Batarya şarj cihazını kullanılmadığı zamanlarda güç kaynağına takılı olarak bırakmayın!

7.3.2. Bataryanın değiştirilmesi

Bataryanın çıkarılması:

Batarya mandalını bulun. Batarya mandalını geriye doğru çekerken aynı anda bataryayı yukarı doğru kaldırarak bataryayı çıkarabilirsiniz.

Bataryanın takılması:

Bataryanın yönünün doğru olduğundan emin olun (bölüm 6.2'ye göre) ve batarya mandalı oturma kadar fan ünitesinin içine kaydırın. Batarya mandalının tam olarak kilitlenmesi önemlidir. (Şek. 3 / s. 4)

8. KULLANIM

Kontrol panelindeki ON/OFF (Açık/Kapalı) düğmesine basarak fan ünitesini açın. Hava ünitesi +/- düğmelerine basılarak 180 l/dk. ila 220 l/dk. arasında altı farklı hıza ayarlanabilir. Yeşil LED diyetleri gerçek hava akışı düzeyini gösterir. Düğmelere her basıldığında işlemin gerçekleştirilmesi için düğmenin 2 saniye boyunca basılı tutulması gerektiğine lütfen dikkat edin. Bu, kazara değişiklik yapılmasını önlemek içindir. (Şek. 2 / s. 4)

Guardian Air sabit bir hava beslemesi sağlar. Ünitenin içindeki mikro işlemci filtre tikanıklığını ve batarya durumunu dengelemek için motor hızını otomatik olarak düzenler. Mikro işlemci ayarlanan hava akışını sürdürmezse ünite bir 'bip' alarmı verecektir (sesli bir sinyal işitilebilir); bu noktada kullanıcı, PAPR sistemini kontrol etmelidir. Mümkünse mikro işlemci hava akışını otomatik olarak bir alt düzeye indirir; bir alt düzeyi karşılayamazsa sesli alarm vermeye devam edilecektir. Hava akışı minimum

güvenli çalışma düzeyinin altına düştüğünde ilk sesli alarm ikinci bir sesli alarm eşlik eder. Bu noktada, kullanıcı hemen çalışmayı durdurmalı, çalışma ortamını terk etmeli ve güvenli olduğu belirlenmiş bir alana ulaşmalı ve filtreyi değiştirmeli veya bataryayı şarj etmeli/değiştirmelidir.

Alarmları kontrol etmek için hava çıkışının avuç içi veya uygun başka bir şekilde bloke edilmesi gerekir. Ardından PAPR sistemi açıkken motor, mikro işlemci yukarıda açıklanan şekilde alarm verene kadar hızı artırarak dengeleme yapmaya çalışacaktır.

Bataryayı kontrol etmek için: Ünite ilke defa başlatılırken kontrol panelindeki batarya LED'leri kırmızı renkte yanacak ve ardından sönecektir; lamba yanık kalırsa bu durum batarya seviyesinin düşük olduğunu ve şarj edilmesini gerektirir. Bir çalışma vardiyasına başlarken yalnızca tamamen şarj edilmiş bir batarya kullanılması tavsiye edilir.

Tamamen şarj edilmiş batarya takılı iken ünite normal şekilde çalışmalıdır fakat sesli alarm veriliyorsa kullanıcı filtreyi değiştirmelidir. Sorun devam ederse ek öneriler için 10. bölüme bakınız.

9. BAKIM / TEMİZLİK

Fan ünitesi, filtre muhafazası ve başlık doğru biçimde çalışmaya devam etmelerini sağlamak için düzenli olarak temizlenmelidir. Tekli kullanıcılar için ünitelerin tümü ılık su ile nemlendirilmiş sabunlu bez ile temizlenebilir.

Birden fazla kullanıcı için üniteler bir kullanıcıdan başka bir kullanıcıya aktarıldıkça dezenfekte edilmelidir.

Sıvıların PAPR sisteminin mekanizmasına girmesine veya filtre elemanının üzerine gelmesine izin verilmemelidir.

Parçaların havayla kuruması beklenmelidir. Hiçbir durumda herhangi bir çözücü veya aşındırıcı temizlik maddesi kullanılmamalıdır. Ünite sıcak hava veya radyan ısı kaynağı kullanılarak kurutulmamalıdır.

Bu talimatlarla uygun şekilde bakım yapılması halinde PAPR sisteminin 2 ila 3 yıl boyunca tasarlanan teknik özelliklere göre koruma sağlamaya devam etmesi gerekir. Her kullanımdan önce kullanıcının uygun şekilde PAPR sisteminde çatlak, ayrılmış filtreler ve hortumlar, çatlak siperlikler ve başlık bileşenleri gibi kusurların olup olmadığını kontrol etmesi gerekir.

10. ARIZA BULMA

Sistemi kullanırken hava beslemesinde ani bir değişiklik olması halinde aşağıdaki hususların kontrol edilmesi gerekir:

- » Hava besleme sisteminin tüm parçalarının doğru şekilde takılıp takılmadığı.
- » Batarya ve konnektör
- » Bataryanın arızalı veya bozuk olup olmadığı
- » Filtreler ve tıkanıklık
- » Hava hortumunda delik olup olmadığı.
- » Başlık contasının hasar görüp görmediği.
- » Bataryanın tam olarak şarj edilmesinden sonra çalışma süresinin kısalıp kısalmadığı (kısalırsa bataryanın değiştirilmesi gerekir).

| ARIZA | OLASI NEDEN | TAVSİYE |
|-----------------------------------|--|--|
| PAPR sistemi hiç çalışmıyor | <ul style="list-style-type: none">» Batarya tamamen boşalmış (fan ünitesinin şarj edilmiş başka bir bataryayla çalışıp çalışmadığını kontrol edin)» Arızalı motor, devre kartı veya konnektör | <ul style="list-style-type: none">» Bataryayı şarj edin (sorun devam ediyorsa bataryayı kontrol edin)» Tedarikçinizle iletişime geçin. |
| Düşük hava akışı | <ul style="list-style-type: none">» Hava hortumu veya hava kanalı tıkalı» Sızıntı» Batarya yeterince şarj edilmemiş» Filtre veya ön filtre tıkanık | <ul style="list-style-type: none">» Tıkanıklığı kontrol edin ve giderin. Tüm contaları, konnektörleri ve hava hortumunu kontrol edin. Deliklerden veya yırtıklardan hava sızıntısı olmadığından emin olun.» Bataryayı şarj edin (sorun devam ediyorsa bataryayı kontrol edin)» Ön filtreyi değiştirin. Sorun devam ediyorsa ana filtreyi değiştirin. |
| Kısa çalışma süresi | <ul style="list-style-type: none">» Tıkanık Filtre» Batarya doğru şekilde şarj edilmemiş | <ul style="list-style-type: none">» Filtreleri değiştirin» Bataryayı şarj edin. (Sorun devam ediyorsa bataryayı kontrol edin) |
| Batarya şarj edilemiyor | <ul style="list-style-type: none">» Batarya kontağı hasarlı» Şarj cihazı arızalı | <ul style="list-style-type: none">» Batarya kontağını kontrol edin.» Tedarikçinizle iletişime geçin |
| Batarya yeterince şarj edilemiyor | <ul style="list-style-type: none">» Batarya eskimiş | <ul style="list-style-type: none">» Yeni bir batarya takın. |

11. DEPOLAMA VE TAŞIMA

Kullanılmadığı durumlarda veya nakliye sırasında fan ve başlık üniteleri doğrudan güneş ışığından korunacak, çözücülerle temas etmeyecek ve sert yüzeylerle/böğelerle fiziksel temas nedeniyle hasar görmeyecek şekilde kendi kutularında veya benzer başka bir kutuda depolanmalıdır. +0°C ila +40°C aralığı dışındaki sıcaklıklara veya %75 BN'nin üzerinde neme sahip koşullarda depolamayın.

12. ONAYLI BAŞLIK SİSTEMLERİ (p. 5)

- 13 - Guardian 50M Air - 86669
- 13 - Guardian 50FM Air - 86682
- 13 - Guardian 62 Air - 57007
- 13 - Guardian 62F Air - 57029
- 14 - Big Vision Air - 73314

13. PARÇALAR LİSTESİ VE MONTAJ ÇİZİMİ (p. 5)

- 1 - Guardian Air (komple fan kiti) - 86692
- 2 - motor ünitesi - 86668
- 3 - P R SL partikül filtresi (4 adet) - 86645
- 4 - ön filtre (10 adet) - 86655
- 5 - kıvılcım koruması - 86704
- 6 - filtre kapağı - 86657
- 7 - standart bataryası (5.200mAh) - 86660
- 7 - ağır iş bataryası (7.800mAh) - 57075
- 8 - evrensel şarj cihazı - 57081
- 9 - hava hortumu koruması dahil esnek hava hortumu - 57065
- 10 - konfor kemeri - 57144
- 11 - omuz kayışı - 57146
- 12 - hava akışı test cihazı - 57184
- 15 - yüze oturan başlık - 57182
- 16 - Böhler çantası (mavi) - 57186
- 16 - Böhler çantası (siyah) - 86702

14. TEKNİK VERİLER

Guardian Air hafif ve kullanımı kolay bir PAPR sistemidir. Değiştirilebilir bir partikül filtresi ile donatılmıştır. Sistem partiküllere ve aerosollere karşı güvenilir bir koruma sağlar.

- » Hava akışı: 180 ila 220 Litre / dk.; 170 litre/ dk. minimum akış hızında alarm verilir.
- » Filtre ve batarya ile birlikte ağırlık: 870 gram
- » Çalışma sıcaklığı: 0°C ila +40°C arası
- » Filtre tipi: P R SL
- » Batarya tipi: Değiştirilebilir ve şarj edilebilir Li-İyon 7,4 V / 5.200 mAh
- » Şarj döngüleri >350 r
- » Düşük batarya gerilimi için görsel alarm
- » Yetersiz akış hızı (170 l/dk. altında) için görsel ve sesli alarmlar
- » Nominal koruma faktörü (NPF = Nominal Protection Factor): 500
- » Gürültü seviyesi: 65 dB
- » Temiz bir ortamda yeni bir filtre ve tamamen şarj edilmiş bir batarya ile minimum akış hızında 8 saatten fazla çalışma süresi. (maksimum akış hızında 6 saat.). Gerçek kullanımda çalışma süreleri ortamdaki kontamine edici maddelerin düzeyine bağlı olarak önemli ölçüde kısalabilir
- » **Not! Çalışma süresi batarya şarj edilmiş olsa dahi filtrenin tıkanık olması halinde kısalabilir**

Sertifikasyon EN 12941:1998+A1:2003+A2:2008

Onaylayan: APAVE SUDEUROPE SAS Onaylanmış Kuruluş 0082
13322 MARSEILLE
CEDEX 16
Fransa

Bu Kişisel Koruyucu Donanım (PPE) aşağıdaki AB standartlarına uygundur:



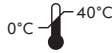
EN 12941:1998+A1:2003+A2:2008
EN166B:2001
EN379:2003+A1:2009 EN175B

Semboller:

Üreticinin talimat kılavuzuna bakınız:



0-40°C arasında depolayın
(Santigrat Derece):



Depolama süresi:



Maksimum depolama
Nem < %75:



<75%

Filtre Sembolleri:

R = filtre birden fazla vardiya için tekrar kullanılabilir

S = filtre katı partiküllere karşı koruma sağlar.

L = filtre sıvı partiküllere karşı koruma sağlar.

15. GARANTI

Guardian Air, satın alma tarihinden itibaren 12 ay boyunca mekanik veya elektrik kusurlarına karşı garanti kapsamındadır. Böhler marka batarya, üretim tarihinden itibaren 12 ay boyunca garanti kapsamındadır.

voestalpine Böhler Welding bu süre içinde kusurlu olduğu saptanan parçaları ücretsiz olarak değiştirmeyi veya onarmayı taahhüt etmektedir. Bun alternatif olarak voestalpine Böhler Welding, parçaları kendi takdir ettiği şekilde değiştirebilir. Bu garanti sunlara tabidir: Guardian Air yalnızca tasarlandığı amaç için kullanılmıştır. Guardian Air yanlış kullanım, kaza, modifikasyon veya onarım tabii tutulmamıştır. Lütfen dikkat: Herhangi bir iddia halinde Guardian Air'i satın aldığınız perakendeci ile iletişime geçin. Bu garanti normal aşınma ve yıpranmayı kapsamaz. Bu garanti yasal haklarınızı etkilemez.

