



**WELDLINE**<sup>®</sup>

by Lincoln Electric

# WELDING HELMETS

MORE COMFORT & SAFETY FOR WELDERS

[www.lincolnelectric.eu](http://www.lincolnelectric.eu)

# EURO & VIKING Series Comparison

## Tailored Features

Biggest

Bigger

Normal



Specifications	FGS™ Series	3350 Series	2450 Series	Eurowave 3.0 LS Black / Streetart	Eurosport LS Black / Weld play	Chameleon 3V0 Streetart / Welding Legend / Squad	Euroone
Variable Shade Range/Control	5-13 Internal	5-13 Internal	5-13 Internal	8-13 Internal	9-13 Internal	8-13 Internal	9-13 External
Optical Clarity Rating	1/1/1	1/1/1	1/1/1	1/1/1	1/1/2	1/1/2	1/1/2
Auto-Darkening Viewing Area	108 x 75 MM	95 x 85 MM	97 x 62 MM	97 x 60mm	98 x 44 mm	97 x 40 mm	98 x 44 mm
Grind Mode, Shade / Control	DIN4 / Internal	DIN4 / External	DIN4 / External	DIN3/External	DIN3,5 / Internal	DIN3 / No	DIN3,5 / External
Delay Control Dark to Light (sec)	0,0-1,0 Digital Adjustment	0,1-1,0 s fully adjustable	0,1-1,0 s fully adjustable	0,1-1,0 s fully adjustable	0,1-1,0 by infinitely dial knob	0,1-1,0 by infinitely dial knob	0,1-1,0 by infinitely dial knob
Number of Arc Sensors	4	4	4	4	2	2	2
Weight (g)	793	606	595	560	475	445	490
Lens Switching Speed (sec)	1/25,000	1/25,000	1/25,000	1/25,000	1/25,000	1/12,000	1/16,000
Optic Technology	4C Technology	4C Technology	4C Technology	Light Shade Technology	Light Shade Technology	Standard	Standard
Magnifying "Cheater" Capable Lens	Yes	Yes	Yes	Yes	No	Yes	No
TIG Amp Rating	≥2 A /DC ≥2 A /AC	≥2 A /DC ≥2 A /AC	≥2 A /DC ≥2 A /AC	≥2 A /DC ≥2 A /AC	≥5 A /DC ≥5 A /AC	≥5 A /DC ≥5 A /AC	≥10 A /DC ≥10 A /AC
Light Sensitivity Control	Digital Display Control	Continuous	Continuous	Continuous	by infinitely dial knob	by infinitely dial knob	by infinitely dial knob
Bonus accessories	Side Windows + Planch of stickers + Bag + Bandana	Planch of stickers + Bag + Bandana	Planch of stickers + Bag + Bandana	-	Planch of stickers	-	-
Cartridge Size (mm)	122 x 154,5 mm	114 x 133 mm	114 x 133 mm	114 x 133 mm	110 x 90 mm	110 x 90 mm	110 x 90 mm
Auto-Darkening Viewing Area (mm²)	8100	8075	6014	5820	4312	3880	4312
Headgear Type	UPGRADED FOUR AXIS PIVOT	X6 AXIS PIVOT	X6 AXIS PIVOT	FOUR AXIS PIVOT	FLEXSPEED LS + cushion	FLEX3V0	FLEXONE
Battery Type	Solar cell + 2 CR2450 Replaceable Batteries	Solar cell + 2 CR2450 Replaceable Batteries	Solar cell + 2 CR2450 Replaceable Batteries	Solar cell + 2xCR2450 replaceable lithium battery	Solar cell + Battery replaceable (2xAAA Alkaline batteries)	Solar cell + 2 alkaline battery	Solar cells, no battery change required
Graphic options	1	4	2	2	3	3	1
Value Proposition	Best In Class Specifications With Added Productivity & Safety Features	Best in Class Specifications & Features	Enhanced Versatility	Light state DIN3	Good value	Efficient value solution with Optical class improved and variant graphics	Efficient value solution with grinding mode



# LINCOLN ELECTRIC WELDING HELMET EURO & VIKING SERIES



**TIG AMP RATING  
5 AMPS AC / DC**

**DIN: 8-13  
AUTO-DARKENING  
SHADE RANGE**

WARRANTY  
**18**  
MONTH

**EXTERNAL LOW  
PROFILE GRIND  
CONTROL**

**TIG AMP RATING  
2 AMPS AC / DC**

**SUPERIOR OUT DOOR  
PERFORMANCE**

**DIN: 5-13  
AUTO-DARKENING  
SHADE RANGE**

WARRANTY  
**3**  
YEARS



## Light Shade technology

See More! Weld Better!

- ◆ Provides a better, clearer view of the welding puddle
- ◆ Improves visibility
- ◆ Reduces eye strain



## 1/1/1 Optical clarity

Eliminating Distortion



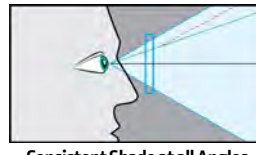
Uniform Shade



Removing Blurriness



Consistent Angle Performance



Consistent Shade at all Angles



## 4C Lens technology

- 1 - Clarity - Optical Clarity 1/1/1
- 2 - Color - Real Color View
- 3 - Carat - Light Weight
- 4 - Cut - Even Shade From Any Angle



# VIKING™ 3250D FGS™ SERIES

**NEW**

**VIKING**  
WELDING HELMETS

## Welding Processes:

Stick, TIG, Pulsed TIG, MIG,  
Pulsed MIG, Flux-Cored, Gouging,  
Grinding



WARRANTY  
**3**  
YEARS

lens  
technology  
**4C™**

CE



## Auto-Darkening Lens Specs

Variable shades



Low TIG  
amps rated



Grind mode /  
Shade control



DIN 4

Lens switching  
speed



1/25,000 sec

Arc sensors



Optical class



Comfort



Viewing area



108 mm x 75 mm

Enhanced Outdoor  
Performance



VIKING™ 3250D FGS™

K3540-3-CE



# VIKING™ 3350 SERIES 4

**NEW**

**VIKING**  
WELDING HELMETS

## Welding Processes:

Stick, TIG, Pulsed TIG, MIG,  
Pulsed MIG, Flux-Cored,  
Gouging, Grinding.



Low-profile external grind button provides seamless transition between weld & grind mode



**VIKING™ 3350  
Daredevil**  
K3683-4-CE



**VIKING™ 3350  
BlackMat**  
K3034-4-CE

**VIKING™ 3350  
Motorhead™**  
K3100-4-CE



**VIKING™ 3350  
Mojo™**  
K3101-4-CE

WARRANTY  
**3**  
YEARS

lens  
technology  
**4C™**

CE

## Auto-Darkening Lens Specs

Variable shades



Low TIG amps rated



Grind mode /  
Shade control



Lens switching  
speed



Arc sensors



Optical class



Comfort



Viewing area



Enhanced Outdoor  
Performance



# VIKING™ 2450 SERIES 4

**NEW**



## Welding Processes:

Stick, TIG, Pulsed TIG, MIG, Pulsed MIG, Flux-Cored, Gouging, Grinding.

WARRANTY  
**3**  
YEARS



**Low-profile external grind button** provides seamless transition between weld & grind mode

## Auto-Darkening Lens Specs

Enhanced Outdoor Performance



Variable shades



Low TIG amps rated



Grind mode / Shade control



Lens switching speed



Arc sensors



Optical class



Comfort



Viewing area



VIKING™ 2450 Black

K3028-4-CE



VIKING™  
Heavy Metal®  
K3029-4-CE



# EUROWAVE 3.0 LS

**NEW**

## Welding Processes:

Stick, TIG, Pulsed TIG, MIG, Pulsed MIG, Flux-Cored, Gouging, Plasma Cutting, Grinding.



External grinding mode



WARRANTY  
**2**  
YEARS



## Auto-Darkening Lens Specs

- Variable shades: 8...13
- Low TIG amps rated: 2 amps (DC) / ≥2 amps (AC)
- Grind mode / Shade control: DIN 3
- Lens switching speed: 1/25,000 sec
- Arc sensors: 4
- Optical class: 1/1/1/1
- Comfort: [Icon of a person wearing a helmet]
- Viewing area: 97 mm x 60 mm

**EUROWAVE 3.0 LS**  
Streetart  
W403901

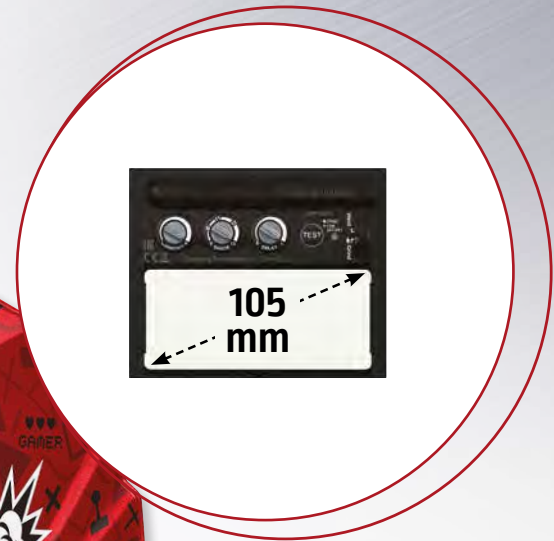


**EUROWAVE 3.0 LS**  
Black  
W403900

# EUROSPEED LS

## Welding Processes:

Stick, TIG, Pulsed TIG,  
MIG, Pulsed MIG,  
Flux-Cored, Gouging,  
Plasma Cutting, Grinding.



WARRANTY  
**18**  
MONTH

## Auto-Darkening Lens Specs

Variable shades



Grind mode /  
Shade control



Lens switching  
speed



Viewing area



Comfort



Arc sensors



Optical class



EUROSPEED LS  
Weld Play

W000403824-6

EUROSPEED LS

W000403824



# CHAMELEON 3VO

**Welding Processes:**

Stick, MIG

WARRANTY

**1**  
YEAR



**CHAMELEON  
3VO Welding  
Legend**

W403548

**CHAMELEON  
3VO Squad**

W403547

**CHAMELEON  
3VO Streetart**

W000403546

## Auto-Darkening Lens Specs

Variable shades



Arc sensors



Optical class



Viewing area



Battery



Lens switching speed



# EUROONE

## Welding Processes:

Stick, MIG, Plasma  
Cutting, Grinding.

WARRANTY

**1**  
YEAR




External  
grinding mode



**EUROONE**  
W000403823

## Auto-Darkening Lens Specs

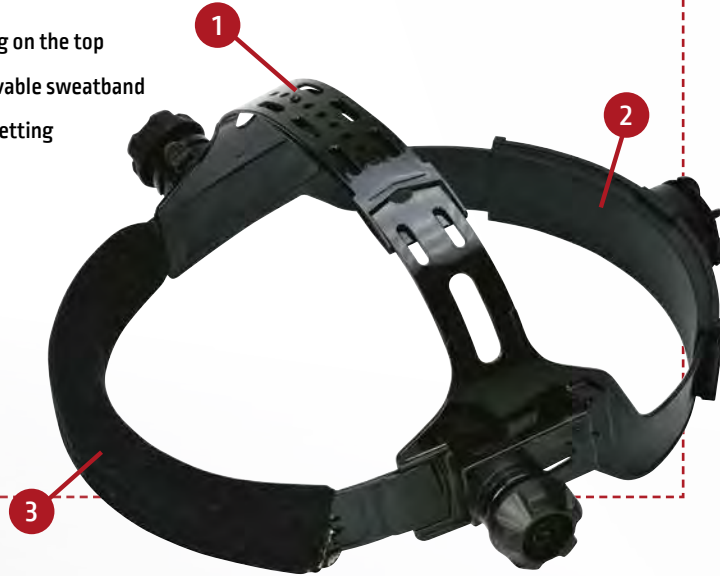
- Comfort 
- Arc sensors 
- Optical class 
- Viewing area   
98 mm x 44 mm
- Variable shades   
External
- Grind mode / Shade control   
DIN 3.5 / External
- Lens switching speed   
1/16,000 sec



# FEATURES

## FLEXone

- 1 Setting on the top
- 2 Removable sweatband
- 3 Rack setting



## X4 PIVOT

- ◆ Soft, Padded front headband helps eliminate pressure points
- ◆ Two adjustable top head straps help distribute weight for increased comfort
- ◆ Ratchet adjustable rear headband allows operator to set tightness
- ◆ Turn and slide forward and backward adjustments



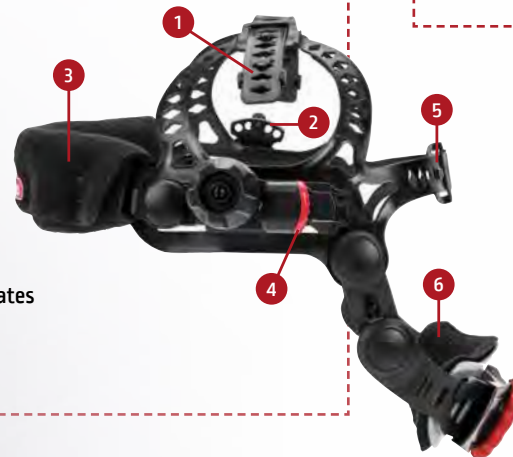
## FLEXspeed

- 1 Setting on the top
- 2 Removable sweatband
- 3 Comfort cushion
- 4 Rack setting



## X6 HEADGEAR - SUPERIOR COMFORT

- 1 Adjustable, form fitting top head supports and distributes weight to optimize balance
- 2 Orientation adjustment pin for optimal resting position
- 3 Rotatable front headband for personalised support and fit
- 4 Innovative and easy to use forward and backward adjustments
- 5 Strategically positioned rear headband improves balance
- 6 Unique flexible backpad eliminates common pressure point



# OPTIONAL ACCESSOIRES

**NEW**

Compatible with all Lincoln Electric helmets and most competitive models

**LINCOLN ELECTRIC Split leather helmet bib with Press Fit Silicone Seal**



**Split leather helmet bib**

KP3729-1



**LINCOLN ELECTRIC Grain leather helmet bib with Press Fit Seal**



**Grain Leather Helmet Bib**

KP3730-1

**VIKING Cheater Lens\***



To order

Cheater lens 1.00 magnification	KP3046-100
Cheater lens 1.25 magnification	KP3046-125
Cheater lens 1.50 magnification	KP3046-150
Cheater lens 1.75 magnification	KP3046-175
Cheater lens 2.00 magnification	KP3046-200
Cheater lens 2.25 magnification	KP3046-225
Cheater lens 2.50 magnification	KP3046-250

**Magnifying glass EN 166\*\***

Diopter	108 x 51 mm or 105 x 50 mm
+1.0	W000335031
+1.5	W000335032
+2.0	W000335033
+2.5	W000335034

For some precision welding, magnifying the work zone is necessary. These lenses must be used with coloured filtering glasses.



\*\* These magnifying glasses can be used with CHAMELEON 3V0, CHAMELEON 4V+ LS, EUROLUX LS, ZEPHYR 4500 LS and FLIPAIR 4500 LS

**DUFFLE BAG**



**TO ORDER**

2019-STUDENTSET



**TO ORDER**

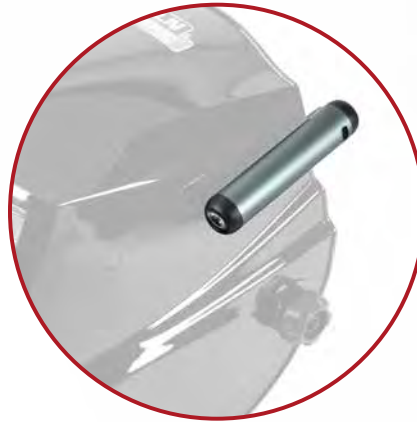
SPORTBAG



# OPTIONAL ACCESSOIRES

Compatible with all Lincoln Electric helmets and most competitive models

## Led light



## LINCOLN ELECTRIC Flame retardant cotton extended protection for head with Press Fit silicone Seal



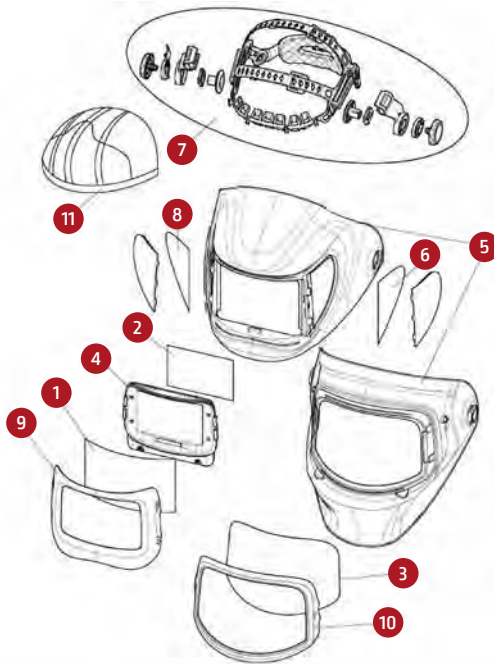
## LINCOLN ELECTRIC Helmet Backpack



# REPLACEMENT PARTS



## FGS

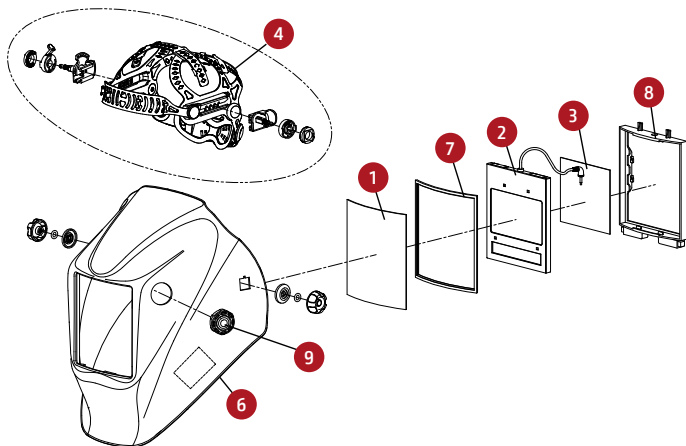


### FGS

To order	Description	Qty	Reference
1	Outside Cover lens (158.2 x 100 x 1.2 mm)	1	KP3700-1
2	Inside Clear lens (108.3 x 78.3 x 1 mm)	1	KP3701-1
3	Grind Shield Clear lens (221.4 x 133.4 x 1.2 mm)	1	KP3702-1
4	3250D FGS ADF	1	KP3703-3
5	Replacement Shell (FGS Series Welding Helmet) (including Side Window installed)	1	KP3704-1
6	Side Lens Cover (1 pair)	1	KP3705-1
7	Headgear (including sweatband)	1	KP3706-1
8*	Sweatband (Pkg Qty: 2)	1	KP2930-1
9	Front lens holder	1	95S32652-10
10	Grind Shield lens holder	1	95S32652-3
11	Head cover	1	KP3709-1

\*Not illustrated

## VIKING™ 3350

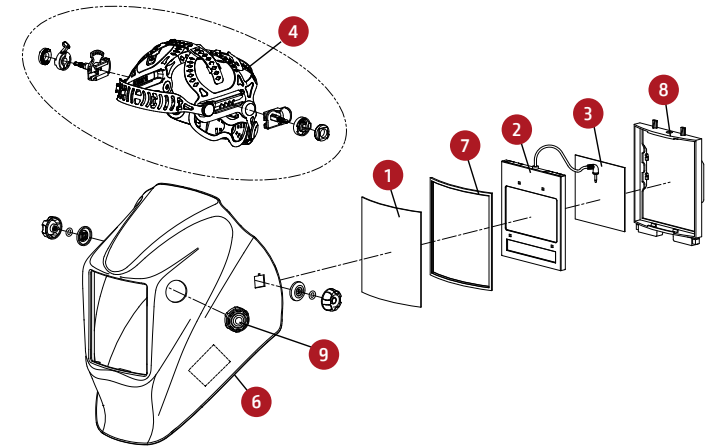


### VIKING™ 3350

To order	Description	Qty	Reference
1	Outside clear lens (Pkg. Qty: 5) Oculars safety lenses 133.0 x 114.0 x 1.0 mm	1	KP2898-1
2	ADF cartridge for VIKING™ 3350 4C (S27978-151)	1	KP3045-4
3	Inside clear lens (Pkg. Qty: 5) Oculars safety lenses 94.7 x 89.7 x 1.0 mm	1	KP3044-1
4	Headgear assembly (including sweatband & Retrofit washer)	1	KP4470-1
5*	Sweatband (Pkg. Qty: 5)	1	KP2930-1
6	Replacement shell (VHT1)	1	KP4561-1
7	Outside clear lens seal	1	S27978-32
8	ADF holder	1	S27978-153
9	Grind button assembly	1	KP4562-1
10*	CR2450 replacement battery	1	KP4491-1
11*	Headgear cushion back pad (Pkg. qty. 2)	1	KP4541-1

\*Not illustrated

## VIKING™ 2450



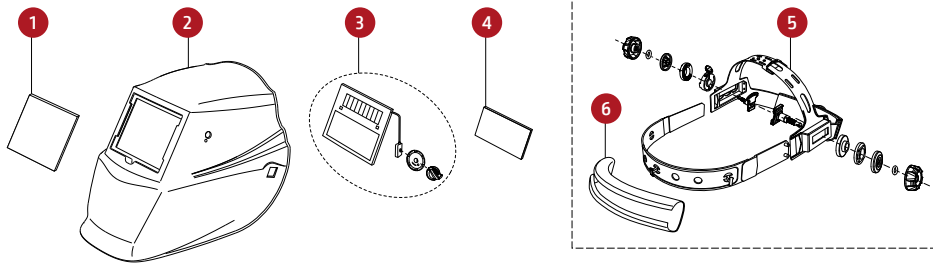
### VIKING™ 2450

To order	Description	Qty	Reference
1	Outside clear lens (Pkg. Qty: 5) Oculars safety lenses 133.0 x 114.0 x 1.0 mm	1	KP2898-1
2	ADF cartridge for VIKING™ 2450 4C (S27978-150)	1	KP2932-4
3	Inside clear lens (Pkg. Qty: 5) Oculars safety lenses 98.5 x 66.5 x 1.0 mm	1	KP2931-1
4	Headgear assembly (including sweatband & retrofit washer)	1	KP4470-1
5*	Sweatband (Pkg. Qty: 2)	1	KP2930-1
6	Replacement shell (VHT1)	1	KP4560-1
7	Outside clear lens seal	1	S27978-32
8	ADF holder	1	S27978-153
9	Grind button assembly	1	KP4562-1
10*	CR2450 replacement battery	1	KP4491-1
11*	Headgear cushion back pad (Pkg. Qty: 2)	1	KP4541-1



# REPLACEMENT PARTS

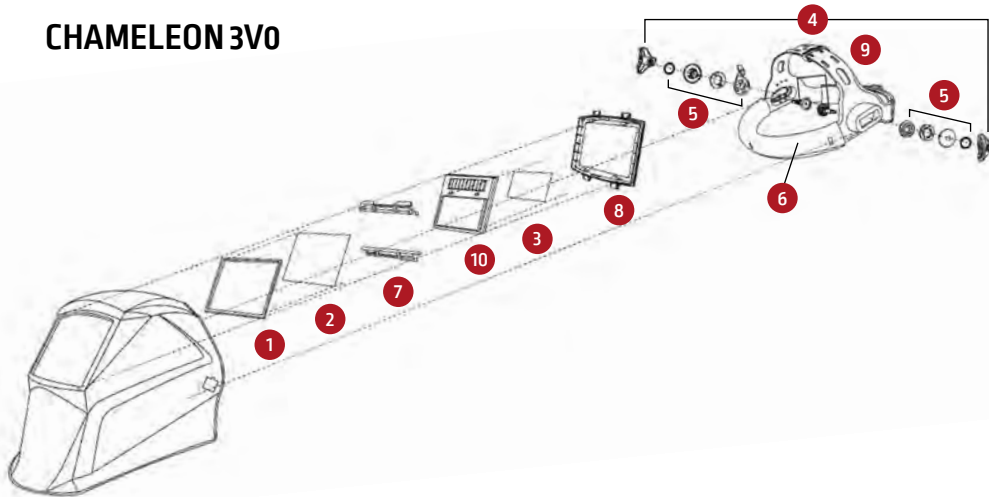
## EUROONE



## EUROONE

To order		
Description	Qty	Reference
1 - Front Cover Lens	1	W000404065
2 - Shell (Welding Mask)	1	W000404066
3 - Auto-Darkening Filter	1	W000404067
4 - Inside Cover Lens	1	W000404068
5 - Headgear Assembly (Including Sweatband)	1	W000404069
6 - Sweatband	1	W000404073

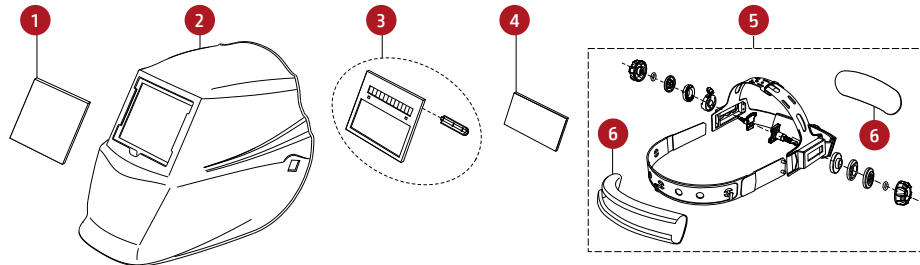
## CHAMELEON 3VO



## CHAMELEON 3VO

To order	
Description	Reference
1 - Gasket front cover lens	W000261985
2 - Front cover lens	W000261983
3 - Inside cover lens	W000335163
4 - Headgear	W000261986
5 - Headgear adjusting kit	W000261987
6 - Sweatband	W000261999
7 - Cartridge holder hook	W000261990
8 - Cartridge holder	W000261989
9 - Comfort cushion	W000261991
10 - Cell	W000377928

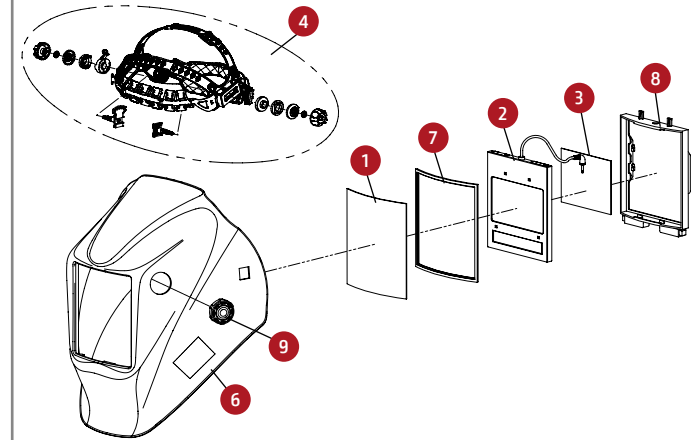
## EUROSPEED LS



## EUROSPEED LS

To order		
Description	Qty	Reference
1 - Front Cover Lens	1	W000404065
2 - Shell (Welding Mask)	1	W000404096
3 - Auto-Darkening Filter	1	W000404097
4 - Inside Cover Lens	1	W000404068
5 - Headgear Assembly (Including Sweatband)	1	W000404098
6 - Sweatband	1	W000404073

## EUROWAVE 3.0 LS



## EUROWAVE 3.0 LS

To order		
Description	Reference	
1 - Outside clear lens (Pkg. Qty: 5) Oculars safety lenses 133.0 x 114.0 x 1.0 mm	KP2898-1	
2 - ADF cartridge for EuroWave 3.0LS	KPW4039-2	
3 - Inside clear lens (Pkg. Qty: 5) Oculars safety lenses 98.5x66.5x1.0 mm	KP2931-1	
4 - Headgear assembly for EuroWave 3.0LS (including sweatband)	KPW4039-1	
5 - Sweatband (Pkg. Qty: 2)	KP2930-1	
6 - EuroWave 3.0LS replacement shell BLACK (VH1)	KPW4039-3	
7 - EuroWave 3.0LS replacement shell STREETART (VH1)	KPW4039-4	
8 - Outside clear lens seal	S27978-32	
9 - ADF holder	S27978-153	
10 - Grind button assembly	KP4562-1	
11 - CR2450 replacement battery	KP4491-1	

#### **CUSTOMER ASSISTANCE POLICY**

The business of Lincoln Electric is manufacturing and selling high quality welding equipment, consumables, and cutting equipment. Our challenge is to meet the needs of our customers and to exceed their expectations. On occasion, purchasers may ask Lincoln Electric for information or advice about their use of our products. Our employees respond to inquiries to the best of their ability based on information provided to them by the customers and the knowledge they may have concerning the application. Our employees, however, are not in a position to verify the information provided or to evaluate the engineering requirements for the particular weldment. Accordingly, Lincoln Electric does not warrant or guarantee or assume any liability with respect to such information or advice. Moreover, the provision of such information or advice does not create, expand, or alter any warranty on our products. Any express or implied warranty that might arise from the information or advice, including any implied warranty of merchantability or any warranty of fitness for any customers' particular purpose is specifically disclaimed.

Lincoln Electric is a responsive manufacturer, but the selection and use of specific products sold by Lincoln Electric is solely within the control of, and remains the sole responsibility of the customer. Many variables beyond the control of Lincoln Electric affect the results obtained in applying these types of fabrication methods and service requirements.

Subject to Change – This information is accurate to the best of our knowledge at the time of printing. Please refer to [www.lincolnelectriceurope.com](http://www.lincolnelectriceurope.com) for any updated information.



[www.lincolnelectric.eu](http://www.lincolnelectric.eu)

