



FilterCart +

Mobile Filter for Intermittent Duty Fume Control

Effective and user-friendly Fume Extraction Solution

FilterCart+ is an effective, convenient and easy to use engineering control that protects workers from the harmful effects of welding fume as recommended by global health and safety organizations. Designed for light and intermittent duty fume applications, the FilterCart has a small footprint and lightweight construction making it easy to move and place inside tight workspaces. Despite the small package, the unit is full of technology and features that make it easy to own and operate.

Reliable and effective Capture

Protecting welders from the harmful effects of weld fume control begins with capturing the fume effectively at the source. The FilterCart's extraction arm is easily positioned and features an optimized hood design that expands the fume capture zone.

Enhanced filter technology

FilterCart+ features a high-efficiency Nanofiber filter effective at removing the fine metal and smoke particles from the air stream and extending the filter life with higher dust holding capacity. The filter construction includes a multi-layer mesh inner liner to help arrest sparks and fire retardant media to reduce the risk of fire. An optional HEPA secondary filter is available for high-toxicity fume including hexavalent chromium.

Simple to use and operate

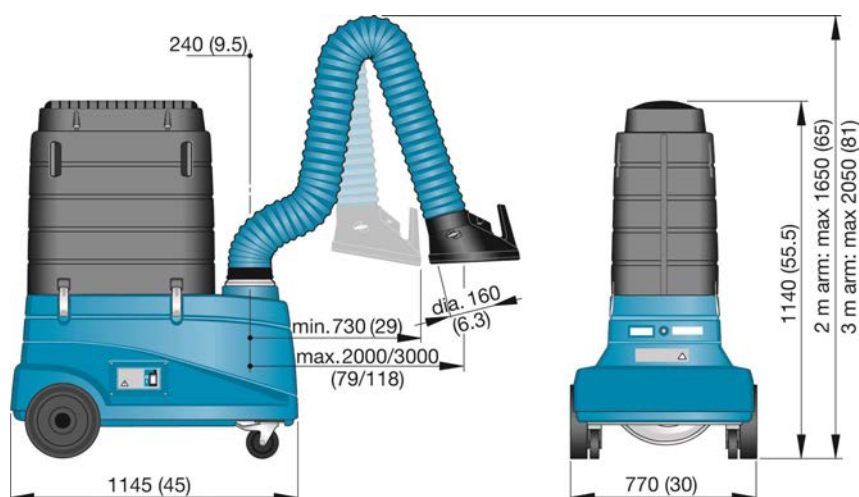
Ensuring proper airflow is critical in effectively capturing the weld fume and the FilterCart includes a 4-step LED filter life indicator (W3 versions only) and audible alarm to inform the user when maintenance is required. Filter maintenance is tool-free and can be performed in a matter of minutes ensuring that welders remain productive.



Models and Specifications

Model	Arm Length m (ft)	Arm Diameter mm (in)	Air Flow m ³ /h (cfm)	Filter Load Indicator	Filter Area m ² (ft ²)	Power kW (Hp)	Supply Power	Noise Level dB(A)
FilterCart+	2 or 3 (7 or 10)	160 (6,3)	1050 (620)	-	30 (323)	1 (0,75)	230V/ 1PH/ 50Hz	73
FilterCart+ W3	2 or 3 (7 or 10)	160 (6,3)	1050 (620)	4-step LED	30 (323)	1 (0,75)	230V/ 1PH/ 50Hz	73

Product Dimensions mm (inches)



Accessories and Replacement Filters

Options	Description
Filter media	Delivered with Nanofiber filter. Carbon filter available for unique application requirements.
LED spotlight	Hood mounted light kit for improved visibility. Includes unit on/off switch (W3 versions only).
Secondary filters	Certified H13/H14 HEPA filters
Other	ISO 21904 compliant (W3 version only)

Nederman offers genuine replacement filters, spare parts and accessories to keep your equipment operating at maximum efficiency. Contact a local Nederman representative today or visit our spare parts search: www.nederman.com/en/service/spare-part-search.