

## FilterCart

# FilterCart Original



---

### Original user manual

EN USER MANUAL

### Translation of original user manual

DA BRUGERVEJLEDNING

DE BEDIENUNGSANLEITUNG

ES MANUAL DE USUARIO

FI KÄYTTÖOHJE

FR MANUEL DE L'UTILISATEUR

IT MANUALE DELL'UTENTE

NL GEBRUIKERSHANDLEIDING

PL INSTRUKCJA OBSŁUGI

PT MANUAL DO UTILIZADOR

RU РУКОВОДСТВО ПО ЭКСПЛУАТАЦИИ

SV ANVÄNDARMANUAL

ZH 使用手册



Declaration of Conformity .....	4
Figures .....	8
English .....	12
Dansk .....	17
Deutsch .....	22
Español .....	27
Suomi .....	32
Français .....	37
Italiano .....	42
Nederlands .....	47
Polski .....	52
Português .....	57
Русский .....	62
Svenska .....	67
中文 .....	72

# Declaration of Conformity

EN English

## Declaration of Conformity

We, AB Ph. Nederman & Co., declare under our sole responsibility that the Nederman product:

FilterCart Original (Part No. \*\*, and stated versions of \*\*) to which this declaration relates, is in conformity with all the relevant provisions of the following directives and standards:

### Directives

2006/42/EC, 2014/30/EU, 2011/65/EU.

### Standards

EN ISO 12100:2010, EN 60204-1:2018, EN 61000-6-2:2019, EN 61000-6-4:2019, EN 61000-3-3:2013, EN ISO 20607:2019

The name and signature at the end of this document is the person responsible for both the declaration of conformity and the technical file.

DA Dansk

## Overensstemmelseserklæring

AB Ph. Nederman & Co., erklærer som eneansvarlige, at følgende produkt fra Nederman:

FilterCart Original (Artikel nr. \*\*, og erklærede versioner af \*\*), som denne erklæring vedrører, er i overensstemmelse med alle de relevante bestemmelser i de følgende direktiver og standarder:

### Direktiver

2006/42/EC, 2014/30/EU, 2011/65/EU.

### Standarder

EN ISO 12100:2010, EN 60204-1:2018, EN 61000-6-2:2019, EN 61000-6-4:2019, EN 61000-3-3:2013, EN ISO 20607:2019

Navnet og underskriften sidst i dette dokument tilhører den person, der er ansvarlig for såvel overensstemmelseserklæringen som den tekniske dokumentation.

DE Deutsch

## Konformitätserklärung

Wir, AB Ph. Nederman & Co., erklären in alleiniger Verantwortung, dass das Nederman Produkt:

FilterCart Original (Art.-Nr. \*\*, und bauartgleiche Versionen \*\*), auf welches sich diese Erklärung bezieht, mit allen einschlägigen Bestimmungen der folgenden Richtlinien und Normen übereinstimmt:

### Richtlinien

2006/42/EC, 2014/30/EU, 2011/65/EU.

### Standards

EN ISO 12100:2010, EN 60204-1:2018, EN 61000-6-2:2019, EN 61000-6-4:2019, EN 61000-3-3:2013, EN ISO 20607:2019

Der Name und die Unterschrift am Ende dieses Dokuments sind die für die Konformitätserklärung und die technischen Unterlagen verantwortlichen Personen.

ES Español

## Declaración de Conformidad

Nosotros, AB Ph. Nederman & Co., declaramos bajo nuestra exclusiva responsabilidad que el producto de Nederman, FilterCart Original (Ref. n.º \*\* y las versiones indicadas de \*\*), al que hace referencia esta declaración, cumple con todas las provisiones relevantes de las Directivas y normas que se indican a continuación:

### Directivas

2006/42/EC, 2014/30/EU, 2011/65/EU.

### Normas

EN ISO 12100:2010, EN 60204-1:2018, EN 61000-6-2:2019, EN 61000-6-4:2019, EN 61000-3-3:2013, EN ISO 20607:2019

El nombre y firma que figuran al final de este documento corresponden a la persona responsable, tanto de la declaración como de la ficha técnica.

FI Suomi

## Vaatimustenmukaisuusvakuutus

Me, AB Ph. Nederman & Co., vakuutamme yksinomaan omalla vastuullamme, että Nederman tuote:

FilterCart Original (tuotenro \*\* ja \*\*:n määritetyt versiot), jota tämä vakuutus koskee, on seuraavien direktiivien ja standardien kaikkien sovellettavien määräysten mukainen:

### Direktiivit

2006/42/EC, 2014/30/EU, 2011/65/EU.

### Standardit

EN ISO 12100:2010, EN 60204-1:2018, EN 61000-6-2:2019, EN 61000-6-4:2019, EN 61000-3-3:2013, EN ISO 20607:2019

Tämä asiakirjan lopussa oleva nimi ja allekirjoitus ovat henkilön, joka vastaa sekä vaatimustenmukaisuusvakuutuksesta että teknisestä tiedostosta.

FR Français

## Déclaration de Conformité

Nous, AB Ph. Nederman & Co., déclarons sous notre seule responsabilité que le produit Nederman :

FilterCart Original (réf. \*\* et versions indiquées de \*\*) auquel fait référence la présente déclaration est en conformité avec toutes les dispositions applicables des directives et normes suivantes :

### Directives

2006/42/EC, 2014/30/EU, 2011/65/EU.

### Normes

EN ISO 12100:2010, EN 60204-1:2018, EN 61000-6-2:2019, EN 61000-6-4:2019, EN 61000-3-3:2013, EN ISO 20607:2019

Le nom et la signature à la fin de ce document sont ceux de la personne responsable de la déclaration de conformité et du fichier technique.

**IT Italiano****Dichiarazione di Conformità**

AB Ph. Nederman & Co., dichiara sotto la propria esclusiva responsabilità che il prodotto Nederman: FilterCart Original (Art. N. \*\*, e le versioni di detto \*\*) al quale è relativa la presente dichiarazione, è conforme alle disposizioni delle seguenti direttive e normative:

**Direttive**

2006/42/EC, 2014/30/EU, 2011/65/EU.

**Normative**

EN ISO 12100:2010, EN 60204-1:2018, EN 61000-6-2:2019, EN 61000-6-4:2019, EN 61000-3-3:2013, EN ISO 20607:2019

Il nome e la firma in calce al presente documento appartengono al responsabile della dichiarazione di conformità e della documentazione tecnica.

**PL Polski****Deklaracja Zgodności**

My, AB Ph. Nederman & Co. niniejszym oświadczamy na naszą własną odpowiedzialność, że Nederman produkt: FilterCart Original [nr części \*\* oraz wskazane wersje \*\*], który jest przedmiotem niniejszej deklaracji, spełnia wszystkie odpowiednie wymagania wymienionych niżej dyrektyw i norm:

**Dyrektywy**

2006/42/EC, 2014/30/EU, 2011/65/EU.

**Normy**

EN ISO 12100:2010, EN 60204-1:2018, EN 61000-6-2:2019, EN 61000-6-4:2019, EN 61000-3-3:2013, EN ISO 20607:2019

Na końcu niniejszego dokumentu znajdują się imię i nazwisko oraz podpis osoby odpowiedzialnej za deklarację zgodności oraz dokumentację techniczną.

**RU Русский****Декларация о соответствии**

Компания AB Ph. Nederman & Co. со всей ответственностью заявляет, что оборудование Nederman: Nederman (№ по каталогу \*\*, и заявил, версии \*\*), к которому относится данная декларация, соответствует всем требуемым положениям следующих директив и стандартов.

**Директивы**

2006/42/EC, 2014/30/EU, 2011/65/EU.

**Стандарты**

EN ISO 12100:2010, EN 60204-1:2018, EN 61000-6-2:2019, EN 61000-6-4:2019, EN 61000-3-3:2013, EN ISO 20607:2019

Сотрудник, поставивший свою подпись под данным документом, отвечает как за соблюдение декларации о соответствии, так и за достоверность технических данных.

**ZH 中文****符合性声明**

我们瑞典 AB Ph. Nederman & Co. 公司郑重声明：与本声明相关的 Nederman 产品 FilterCart Original (零件号：\*\*, 并指出版本\*\*) 符合以下指令和标准的所有相关条例：

**指令**

2006/42/EC, 2014/30/EU, 2011/65/EU.

**标准**

EN ISO 12100:2010, EN 60204-1:2018, EN 61000-6-2:2019, EN 61000-6-4:2019, EN 61000-3-3:2013, EN ISO 20607:2019

此文档末尾的名字和签名即为符合性声明和技术文件的负责人。

**NL Nederlands****Conformiteitsverklaring**

Wij, AB Ph. Nederman & Co., verklaren onder onze verantwoordelijkheid dat het Nederman product:

FilterCart Original (artikelnr. \*\*, en vermelde uitvoeringen van \*\*) waarop deze verklaring betrekking heeft, in overeenstemming is met alle relevante bepalingen van de volgende richtlijnen en normen:

**Richtlijnen**

2006/42/EC, 2014/30/EU, 2011/65/EU.

**Normen**

EN ISO 12100:2010, EN 60204-1:2018, EN 61000-6-2:2019, EN 61000-6-4:2019, EN 61000-3-3:2013, EN ISO 20607:2019

Naam en handtekening onder dit document zijn van degene die verantwoordelijk is voor zowel de Verklaring van Overeenstemming als het technische document.

**PT Português****Declaração de Conformidade**

Nós, da AB Ph. Nederman & Co., declaramos sob nossa responsabilidade exclusiva que o Nederman produto:

FilterCart Original (peça nº \*\*, e versões referidas de \*\*) à qual esta declaração se refere, está em conformidade com todas as disposições relevantes das seguintes diretrizes e normas:

**Directivas**

2006/42/EC, 2014/30/EU, 2011/65/EU.

**Normas**

EN ISO 12100:2010, EN 60204-1:2018, EN 61000-6-2:2019, EN 61000-6-4:2019, EN 61000-3-3:2013, EN ISO 20607:2019

O nome e a assinatura no fim deste documento é a pessoa responsável pela declaração de conformidade e pelo arquivo técnico.

**SV Svenska****Överensstämmelsedeklaration**

Vi, AB Ph. Nederman & Co., förklarar under vårt fulla ansvar att Nederman-produkten:

FilterCart Original (artikelnummer \*\*, och angivna versioner av \*\*) som denna deklaration avser, är i överensstämmelse med alla relevanta bestämmelser i följande direktiv och standarder:

**Direktiv**

2006/42/EC, 2014/30/EU, 2011/65/EU.

**Standarder**

EN ISO 12100:2010, EN 60204-1:2018, EN 61000-6-2:2019, EN 61000-6-4:2019, EN 61000-3-3:2013, EN ISO 20607:2019

Namnet och signaturen i slutet av detta dokument är den person som ansvarar för både försäkran om överensstämmelse och den tekniska filen.

\*\*

12634445, 12634545, 12634645, 12634745, 12634845, 12634945, 12635045, 12635145, 12635245, 12635545, 12636145



AB Ph. Nederman & Co.  
P.O. Box 602  
SE-251 06 Helsingborg  
Sweden

Anna Cederlund  
Product Center Manager  
Technical Product Management  
2023-02-13



# UK Declaration of Conformity

We, AB Ph. Nederman & Co., declare under our sole responsibility that the Nederman product: FilterCart Original (Part No. \*\*, and stated versions of \*\*) to which this declaration relates, is in conformity with all the relevant provisions of the following regulations and standards:

## Relevant legislation

Electromagnetic Compatibility Regulations 2016, Supply of Machinery (Safety) Regulations 2008, The Restriction of the Use of Certain Hazardous Substances in Electrical and Electronic Equipment Regulations 2012

## Standards

EN ISO 12100:2010, EN 60204-1:2018, EN 61000-6-2:2019, EN 61000-6-4:2019, EN 61000-3-3:2013, EN ISO 20607:2019, EN ISO 21904-1:2020


The name and signature at the end of this document is the person responsible for the declaration of conformity.

The UK importer is authorised and responsible to compile the technical file.

\*\*

12634445, 12634545, 12634645, 12634745, 12634845, 12634945, 12635045, 12635145, 12635245, 12635545, 12636145

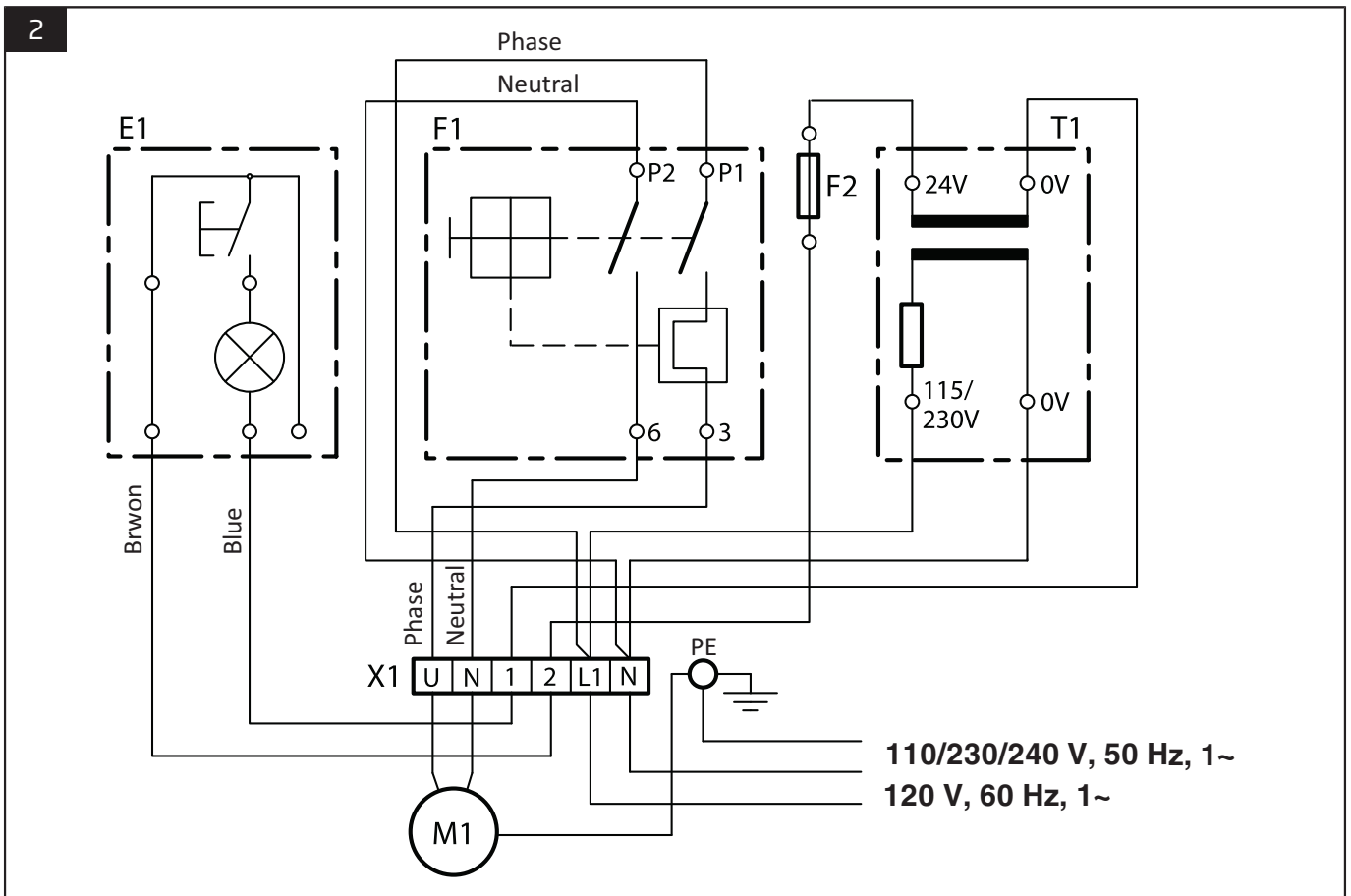
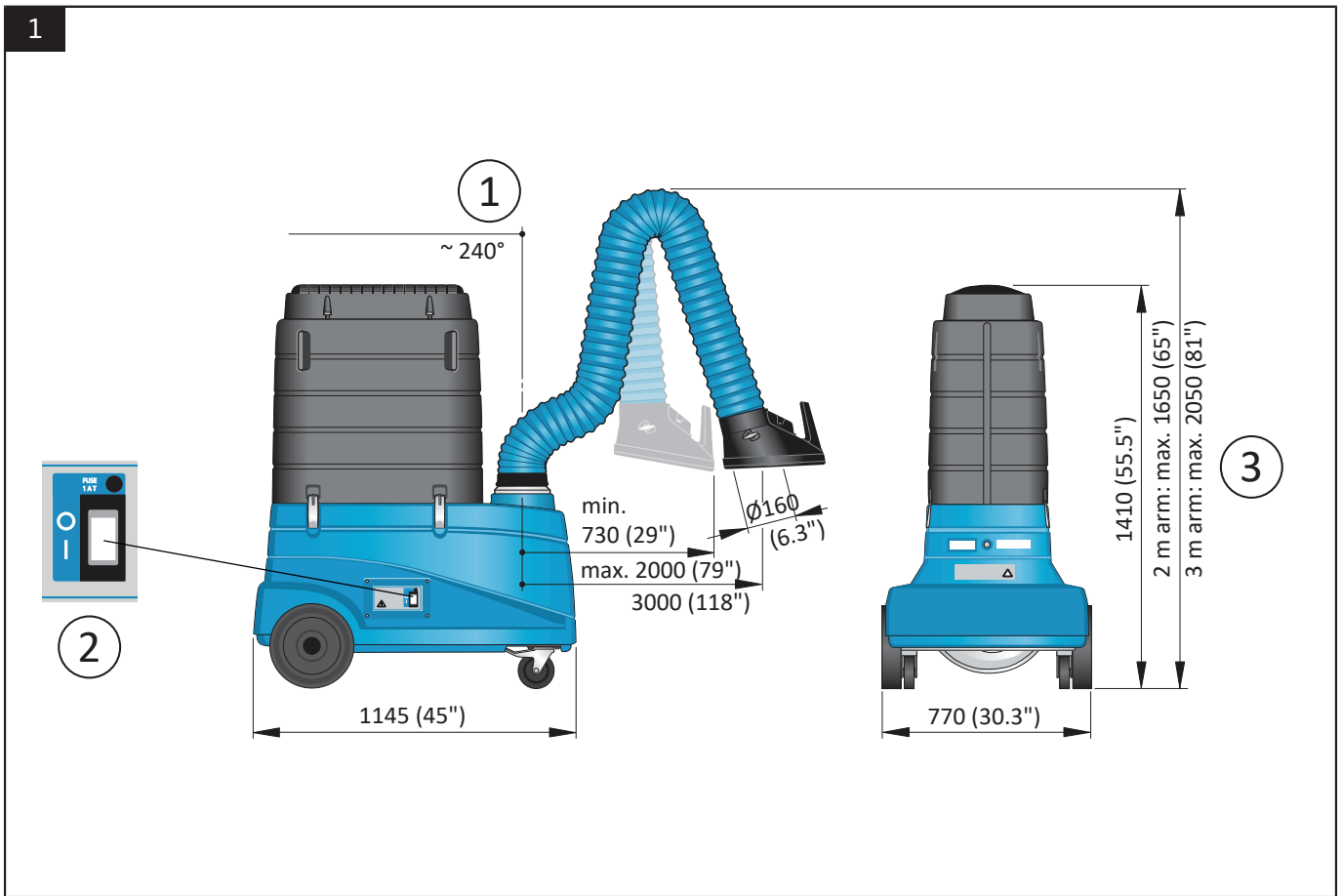
AB Ph. Nederman & Co.  
P.O. Box 602  
SE-251 06 Helsingborg  
Sweden

  
Anna Cederlund  
Product Center Manager  
Technical Product Management  
2023-02-13

UK Importer:  
Nederman Ltd  
91 Seedlee Road,  
Walton Summit Centre,  
Bamber Bridge,  
Preston,  
Lancashire,  
PR5 8AE

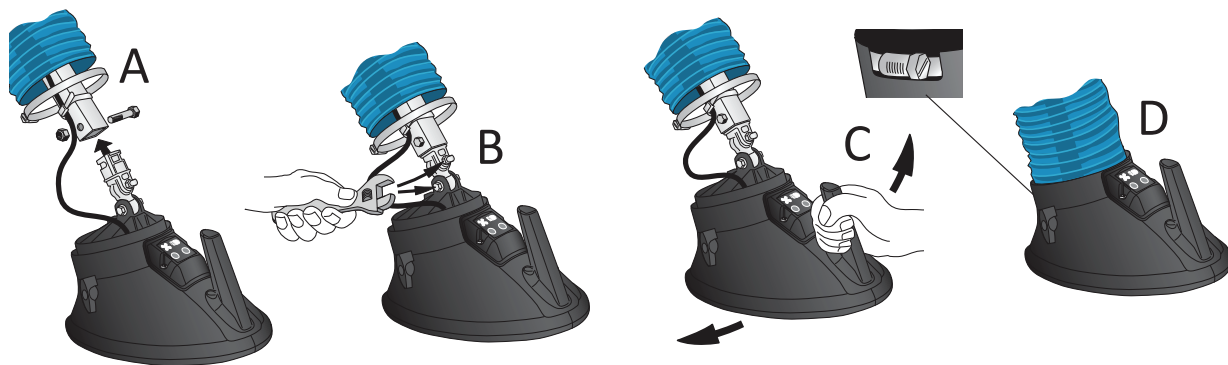


# Figures

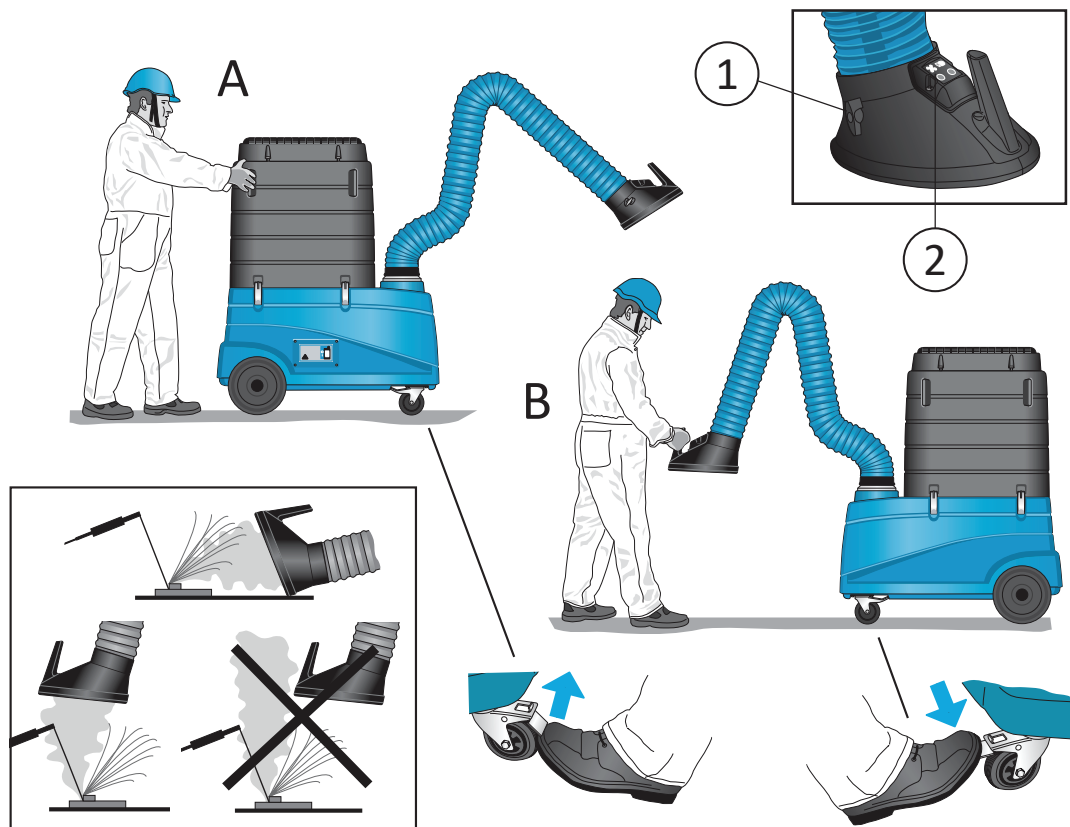




3



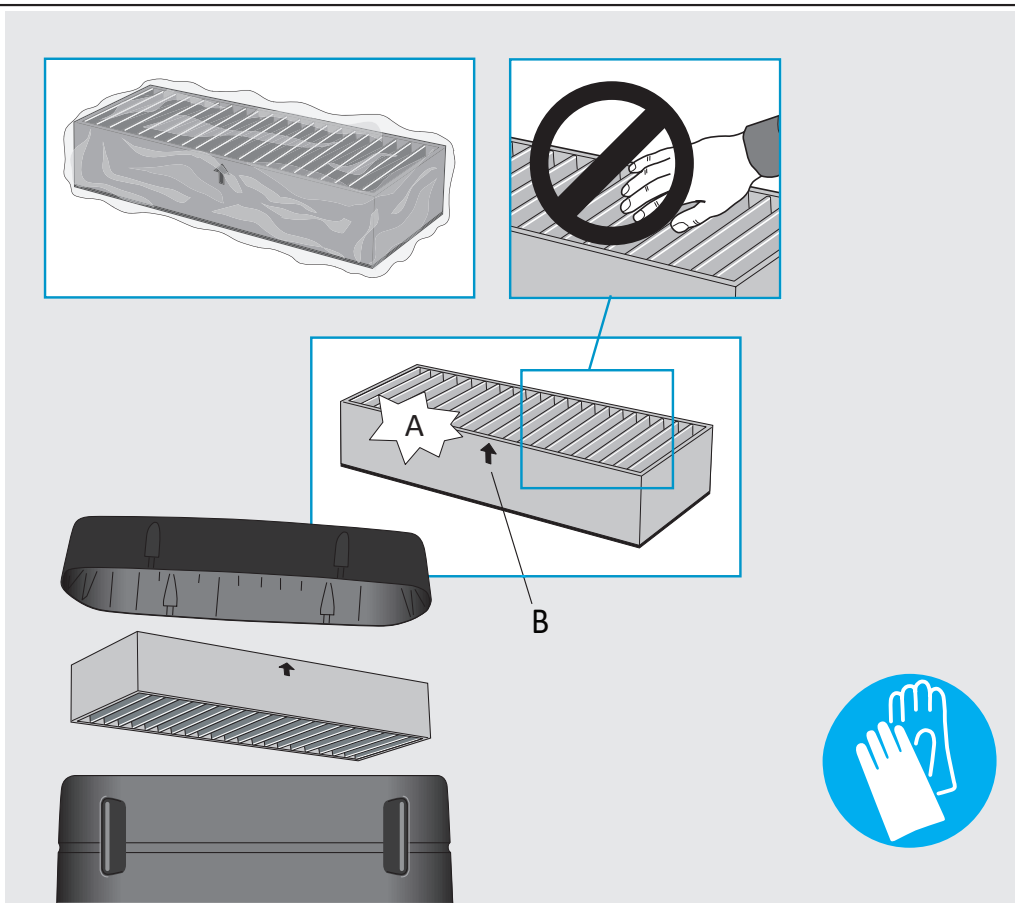
4



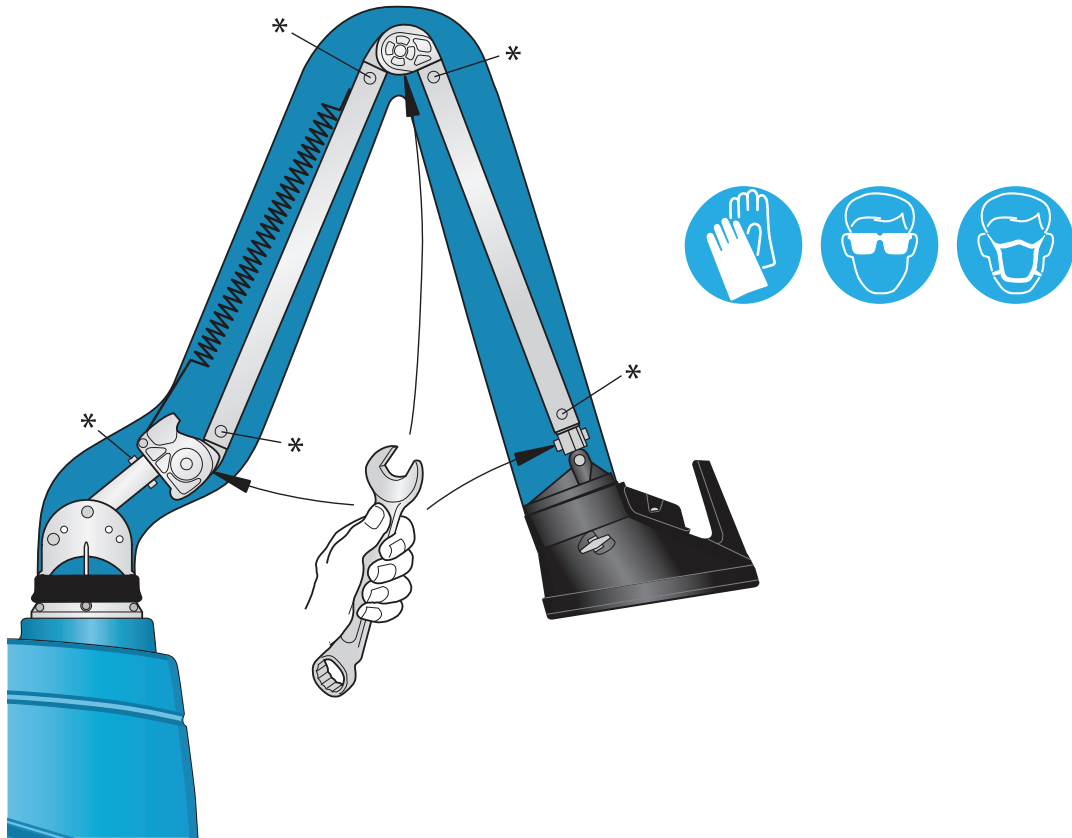
5



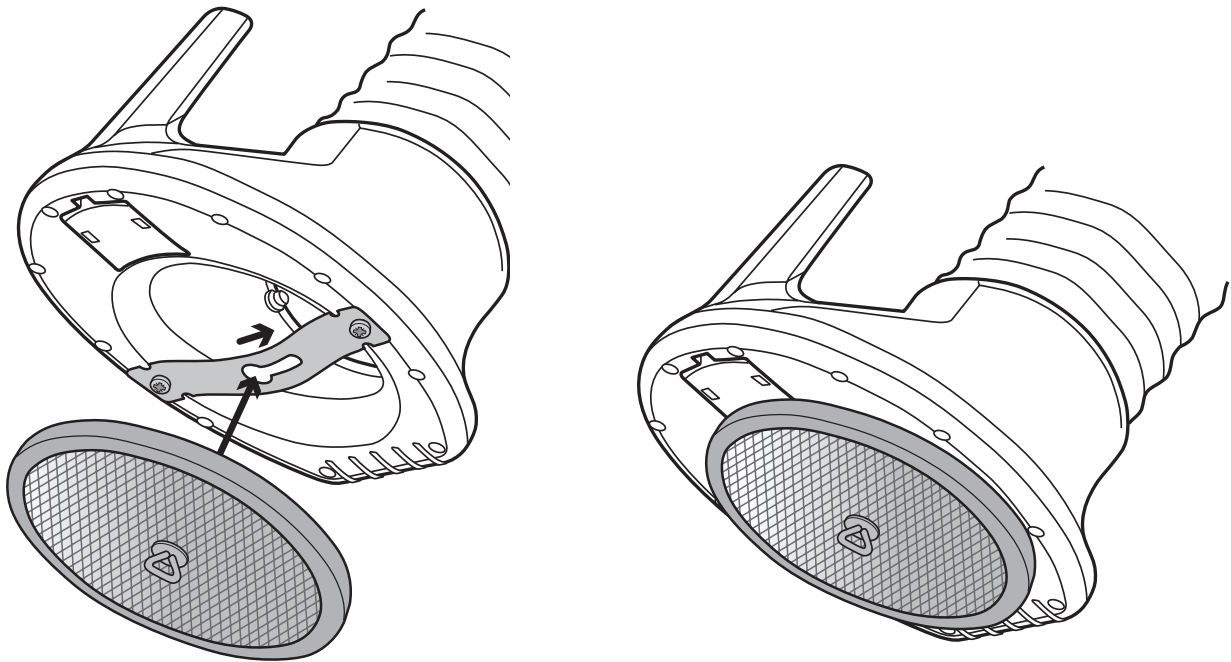
6



7



8



## Table of contents

Figures .....	8
1 Preface .....	13
2 Safety .....	13
2.1 Classification of important information .....	13
2.2 General safety instructions .....	13
3 Description .....	13
3.1 Dimensions .....	13
3.2 Technical data .....	14
4 Installation .....	15
4.1 Fitting the Fume Extractor hood .....	15
4.2 Wiring diagram .....	15
5 Directions for use .....	15
6 Maintenance .....	15
6.1 Changing the filter cartridge .....	15
6.2 Changing the HEPA filter (accessory) .....	15
7 Spare Parts .....	16
7.1 Ordering spare parts .....	16
8 Recycling .....	16

## 1 Preface

Thank you for using a Nederman product!

The Nederman Group is a world-leading supplier and developer of products and solutions for the environmental technology sector. Our innovative products will filter, clean and recycle in the most demanding of environments. Nederman's products and solutions will help you improve your productivity, reduce costs and also reduce the impact on the environment from industrial processes.

Read all product documentation and the product identification plate carefully before installation, use, and service of this product. Replace documentation immediately if lost. Nederman reserves the right, without previous notice, to modify and improve its products including documentation.

This product is designed to meet the requirements of relevant EC directives. To maintain this status, all installation, maintenance, and repair is to be done by qualified personnel using only Nederman original spare parts and accessories. Contact the nearest authorized distributor or Nederman for advice on technical service and obtaining spare parts. If there are any damaged or missing parts when the product is delivered, notify the carrier and the local Nederman representative immediately.

## 2 Safety

### 2.1 Classification of important information

This document contains important information that is presented either as a warning, caution or note, according to the following examples:



**WARNING! Risk of personal injury**

Warnings indicate a potential hazard to the health and safety of personnel, and how that hazard may be avoided.



**CAUTION! Risk of equipment damage**

Cautions indicate a potential hazard to the product but not to personnel, and how that hazard may be avoided.



**NOTE!**

Notes contain other information that is important for personnel.

### 2.2 General safety instructions



**WARNING! Risk of personal injury**

- The product must not be used in an environment with a danger of explosion or for dust or gases in explosive concentrations.
- If the product has been used for dust applications it must not be used for welding fumes or grinding dust.
- Check that no sparks or other objects that can cause fire are sucked into the arm. For welding applications generating a high amount of sparks, spark protection (accessory) must be mounted in the hood to reduce the risk of fire. See [Figure 8](#).
- The product must not be used for extracting toxic substances (except welding fume).
- The product must not be used without filter cartridge and casing.

## 3 Description

The FilterCart Original is only intended for indoor use and is designed for extraction and filtration of dust or welding fumes. It must not be used for extraction of fluids.

### 3.1 Dimensions

See [Figure 1](#).

- 1 Horizontally swivelling arm.
- 2 Start/stop Re-set overload protector.
- 3 Height, depending on arm.

## 3.2 Technical data

FilterCart Original	
Capacity	750-1050 m <sup>3</sup> /h (430-620 cfm)
Filtration efficiency, main filter	> 99 % average weight filtration efficiency *
Filtration efficiency, HEPA filter	> 99.95 % H13 *
Filter area, main filter	30 m <sup>2</sup> (323 ft <sup>2</sup> )
Filter area, HEPA filter	7.5 m <sup>2</sup> (81 ft <sup>2</sup> )
Motor power	0.75 kW (1 hp)
Voltage **	110/120/2390/240
Phase	1 ~
Frequency**	50/60 Hz
Transformer	24 V secondary
Spotlight**	LED 24 V, 5W/6VA
Alarm signal	acoustic, 2.9 kHz
Extraction arm, action radius	maximum 2 m (6 ft 7 in) or 3 m (9 ft 10 in)
Extraction arm, swivelling	approx. 240°
Weight:	<ul style="list-style-type: none"> <li>• 71 kg (156 lb) with 2 m arm</li> <li>• 73 kg (161 lb) with 3 m arm</li> </ul>
Temperature, max. ambient temp.	40 °C (104 °F)
Temperature, max. airflow temp.	60 °C (140 °F)
Noise level	73 dB(A) ISO 11203
Material recycling	90 weight-%, without filter cartridge

\* See the filter cartridge information for more specific data.

\*\* Depending on the model.

## 4 Installation

### 4.1 Fitting the Fume Extractor hood

The Fume Extractor arm is already fitted. The hood must be fitted according to the [Figure 3](#), items A-D.

- A Insert the hood into the swivelling arm, and fasten together.
- B Adjust the swivelling arm to the correct tension.
- C Ensure that the swivelling arm has the correct tension and can be easily positioned.
- D Fasten the blue hose into the hood and secure it using the tightening ring.

### 4.2 Wiring diagram

See wiring diagram, [Figure 2](#), for electrical details.

- E1: 24 V, 5W/6VA
- F1: Start/stop over-load protector
- F2: 1 AT, 5 x 20 mm
- T1: Transformer
- M1: 0.75 kW

## 5 Directions for use

[Figure 4](#) and the following lists illustrates how to use the unit:

- 1 Lever for adjusting the damper.
  - 2 Switch for the spotlight.
- The hood of the extraction arm is to be positioned as close to the pollution source as possible, see item A.
  - The FilterCart Original is to be moved from behind according to item A and with the wheels unlocked.
  - The extraction arm is to be positioned with the wheels locked according to item B.

## 6 Maintenance

Installation, repair and maintenance work must be carried out by qualified personnel using only original spare parts. Contact your nearest authorised distributor or AB Ph. Nederman & Co. for advice on technical service or if you require spare parts. See also [www.nederman.com](http://www.nederman.com).



### **WARNING! Risk of personal injury**

- Disconnect the mains connection cable before starting any maintenance work.
- Use necessary personal safety equipment.

See [Figure 7](#). Maintenance is recommended at least once a year. Do as follows:

- Change the filter cartridge (and optional HEPA-filter) if necessary, see [Section 6.1 Changing the filter cartridge](#).
- Check the airflow capacity of the FilterCart Original.
- Check that the Fume Extractor hose is not damaged. If necessary, change the hose.

- Check that the hose to the fan inlet is not damaged. If necessary, change the hose.
- Check that no objects have been caught on the guard net on the fan inlet.
- If necessary, adjust the Fume Extractor links.
- If necessary, tighten the arm profile bolts, see the \* symbols in [Figure 7](#).
- Check that the mains connection cable and the fan motor cable are not worn or damaged.
- Check that the eccentric locks tighten the filter casing properly. Adjust the eccentric locks if necessary, see [Section 6.1 Changing the filter cartridge](#).

### 6.1 Changing the filter cartridge

See [Figure 5](#). The filter cartridge is disposable and is to be thrown away after use. The life of the filter cartridge varies greatly depending on how the FilterCart Original is used, how much and what type of pollutants are collected.

Regularly monitor the unit's extraction capacity at the hood and change the filter cartridge when the extraction capacity is too poor. Always check that the hoses for the extraction arm and the fan inlet are not damaged before it is decided to change the filter cartridge.



### **WARNING! Risk of personal injury**

Use necessary personal safety equipment when replacing the filter cartridges.

Change the filter cartridge in the following way:

- 1 Disconnect the mains connection cable.
- 2 Unlock the eccentric locks and remove the filter casing.
- 3 Use the plastic bag which comes with the new filter cartridge and pull it over the used cartridge. Fold the plastic bag under the cartridge and close it with the band supplied.
- 4 Handle the used filter cartridge according to the relevant regulations for the collected substances.
- 5 Wipe off the filter cartridge contact surfaces in the FilterCart Original.
- 6 Check that the new filter cartridge is not damaged. Also, check that the seal fitted on the underside of the cartridge is not damaged. Then fit it on the FilterCart Original.
- 7 Refit the filter casing. Make sure the eccentric locks tighten the filter casing properly.
  - A: Increasing the locking power.
  - B: Decreasing the locking power.

### 6.2 Changing the HEPA filter (accessory)

See [Figure 6](#). If the FilterCart Original has been supplied with a HEPA filter, this is to be changed at the same time as the main filter cartridge is changed.

**WARNING! Risk of personal injury**

Use necessary personal safety equipment when changing the HEPA filter.

Change the HEPA filter cartridge in the following way:

- 1 Disconnect the mains connection cable.
- 2 Unscrew the top cover.
- 3 Remove the used HEPA filter and put it in the plastic bag which comes with the new HEPA filter. Close the plastic bag with the band supplied.
- 4 Handle the used HEPA filter according to the relevant regulations for the substances that have been collected.
- 5 Check that the new HEPA filter, item A not is damaged.

**NOTE!**

The filter surface must not be touched.

- 6 Verify that the UP-arrow, item B, is pointing upwards. Handle the HEPA filter very carefully and fit it in the FilterCart Original. Ensure it is fitted in the correct position and that the seal is downwards. Check that the seal is not damaged.
- 7 Refit the top cover. Fasten it securely.

## 7 Spare Parts

**CAUTION! Risk of equipment damage**

Use only Nederman original spare parts and accessories.

Contact your nearest authorized distributor or Nederman for advice on technical service or if you require help with spare parts. See also [www.nederman.com](http://www.nederman.com).

### 7.1 Ordering spare parts

When ordering spare parts always state the following:

- The part number and control number (see the product identification plate).
- Detail number and name of the spare part (see [www.nederman.com/en/service/spare-part-search](http://www.nederman.com/en/service/spare-part-search)).
- Quantity of the parts required.

## 8 Recycling

The product has been designed for component materials to be recycled. Different material types must be handled according to relevant local regulations. Contact the distributor or Nederman if uncertainties arise when scrapping the product at the end of its service life.



## Indholdsfortegnelse

Figurer .....	8
1 Forord .....	18
2 Sikkerhed .....	18
2.1 Klassificering af vigtige oplysninger .....	18
2.2 Generelle sikkerhedsanvisninger .....	18
3 Beskrivelse .....	18
3.1 Dimensioner .....	18
3.2 Tekniske data .....	19
4 Installation .....	19
4.1 Montere røggassugerens hætte .....	19
4.2 Ledningsdiagram .....	20
5 Brugsanvisning .....	20
6 Vedligeholdelse .....	20
6.1 Udskiftning af filterindsatsen .....	20
6.2 Udskiftning af HEPA-filtret (ekstraudstyr) .....	20
7 Reservdele .....	21
7.1 Bestilling af reservedele .....	21
8 Genbrug .....	21

## 1 Forord

DA

Tak, fordi du har valgt et Nederman-produkt!

Nederman Group er en af verdens førende leverandører og udviklere af produkter og løsninger til miljøteknologisektoren. Vores innovative produkter sørger for filtrering, rensning og genvinding i de mest krævende miljøer. Nedermans produkter og løsninger hjælper dig med at øge produktiviteten, nedbringe omkostningerne og reducere miljøpåvirkningen fra industrielle processer.

Læs al produktdokumentation og produktets typeskilt omhyggeligt før installation, brug og servicering af dette produkt. Sørg for at genanskaffe dokumentationen, hvis den bliver væk. Nederman forbeholder sig retten til at modificere og forbedre sine produkter, herunder dokumentationen, uden forudgående varsel.

Dette produkt er konstrueret til at opfylde kravene i de relevante EU-direktiver. For at opretholde denne status skal alt arbejde i forbindelse med installation, reparation og vedligeholdelse udføres af uddannet personale, og der må kun anvendes originale reservedele og originalt tilbehør fra Nederman. Kontakt nærmeste autoriserede forhandler eller Nederman for at få råd om teknisk service og anskaffelse af reservedele. Hvis produktet leveres med defekte eller manglende dele, skal speditøren og den lokale Nederman-repræsentant straks orienteres herom.

## 2 Sikkerhed

### 2.1 Klassificering af vigtige oplysninger

Dette dokument indeholder vigtige oplysninger, der vises som enten en advarsel, en forsigtighedsregel eller en bemærkning. Se de følgende eksempler:



#### **ADVARSEL! Risiko for personskade**

Advarsler angiver, at personalets sundhed og sikkerhed udsættes for en potentiel fare, og hvordan faren kan undgås.



#### **FORSIGTIG! Risiko for beskadigelse af udstyr**

Forsigtighedsregler angiver, at produktet, men ikke personalet, udsættes for en potentiel fare, og hvordan faren kan undgås.



#### **BEMÆRK!**

Noter indeholder andre oplysninger, som brugeren skal være specielt opmærksom på.

## 2.2 Generelle sikkerhedsanvisninger



#### **ADVARSEL! Risiko for personskade**

- Produktet må ikke anvendes i et miljø, hvor der er risiko for eksplosion, eller hvor der er støv eller gasser i eksplosionsfarlige koncentrationer.
- Hvis enheden er blevet anvendt til udsugning af støv, må den ikke anvendes til svejsegasser eller slibestøv.
- Kontrollér, at gnister eller andre objekter, som kan forårsage brand, ikke suges ind i armen. I forbindelse med svejseopgaver, hvor der dannes en stor mængde gnister, skal der monteres et gnistfang (tilbehør) i sugehovedet for at mindske risikoen for brand. Se [Figur 8](#).
- Anvend ikke produktet til giftige materialer (bortset fra svejserøg).
- Enheden må ikke anvendes uden filterindsats og kabinet.

## 3 Beskrivelse

FilterCart Original er kun til indendørs brug og er konstrueret til opsugning og filtrering af støv og svejsegas. Den må ikke anvendes til udsugning af væsker.

### 3.1 Dimensioner

Se [Figur 1](#).

- 1 Vandret drejelig arm.
- 2 Start/stop Nulstilling overbelastningsbeskytter.
- 3 Højde, afhængig af arm.

## 3.2 Tekniske data

FilterCart Original	
Kapacitet	750-1050 m <sup>3</sup> /h (430-620 cfm)
Filtreringsevne, hovedfilter	> 99 % gennemsnitlig filtreringsevne *
Filtreringsevne, HEPA-filter	> 99.95 % H13 *
Filtreringsområde, hovedfilter	30 m <sup>2</sup> (323 ft <sup>2</sup> )
Filtreringsområde, HEPA-filter	7.5 m <sup>2</sup> (81 ft <sup>2</sup> )
Motoreffekt	0.75 kW (1 hp)
Netspænding **	110/120/2390/240
Fase	1 ~
Frekvens**	50/60 Hz
Transformer	24 V sekundær
Spotlight**	LED 24 V, 5W/6VA
Alarmsignal	akustisk, 2.9 kHz
Udsugningsarm, handling radius	Maks. 2 m (6 ft 7 in) eller 3 m (9 ft 10 in)
Udsugningsarm, drejelig	Ca. 240°
Vægt:	<ul style="list-style-type: none"> <li>• 71 kg (156 lb) med 2 m-arm</li> <li>• 73 kg (161 lb) med 3 m-arm</li> </ul>
Temperatur, maks. omgivelsestemperatur	40 °C (104 °F)
Temperatur, maks. luftstrømstemperatur	60 °C (140 °F)
Støjniveau	73 dB(A) ISO 11203
Materialelevning	90 vægtprocent uden filterindsats

\* Se oplysninger om filterpatroner for mere specifikke data.

\*\* Afhængig af modellen.

## 4 Installation

## 4.1 Montere røggassugerens hætte

Røggassugerens arm er allerede monteret. Udsugerhætten skal monteres i henhold til [Figur 3](#), punkt A-D.

- Sæt hætten ind i svingarmen, og spænd den fast.
- Juster svingarmen til den rigtige spænding.
- Sørg for, at svingarmen har den korrekte spænding og nemt kan positioneres.
- Fastgør den blå næse til hætten, og fastspænd den med spænderingen.

## 4.2 Ledningsdiagram

Se ledningsdiagrammet i [Figur 2](#) vedrørende oplysninger om el.

- E1: 24 V, 5W/6VA
- F1: Start/stop overbelastningsbeskytter.
- F2: 1 AT, 5 x 20 mm
- T1: Transformer
- M1: 0,75 kW

## 5 Brugsanvisning

[Figur 4](#) og følgende liste viser, hvordan enheden skal anvendes:

- 1 Greb til justering af spjældet.
  - 2 Kontakt til spotlys.
- Udsugningsarmens hætte skal placeres så tæt på forureningskilden som muligt. Se punkt A.
  - FilterCart Original skal flyttes bagfra i henhold til punkt A, og med ulåste hjul.
  - Udsugningsarmen skal placeres med låste hjul i henhold til punkt B.

## 6 Vedligeholdelse

Installation, reparation og vedligeholdelse skal udføres af uddannet personale, og der må kun anvendes originale reservedele. Kontakt din nærmeste, autoriserede forhandler eller AB Ph. Nederman & Co. for råd om teknisk service, eller hvis du har brug for reservedele. Se også [www.nederman.com](http://www.nederman.com).



### ADVARSEL! Risiko for personskade

- Afbryd strømforsyningskablet, inden vedligeholdelsesarbejdet påbegyndes.
- Der skal anvendes det nødvendige personlige sikkerhedsudstyr.

Se [Figur 7](#). Det anbefales at foretage et eftersyn mindst én gang årligt. Gør følgende:

- Udskift filterindsatsen (og eventuelt HEPA-filtret), hvis det er nødvendigt. Se [Afsnit 6.1 Udskiftning af filterindsatsen](#).
- Kontrollér luftstrømningskapaciteten for FilterCart Original.
- Kontrollér, at røggassuger-slangen ikke er beskadiget. Skift om nødvendigt slangen.
- Kontrollér, at slangen til blæserindløbet ikke er beskadiget. Skift om nødvendigt slangen.
- Kontrollér, at der ikke sidder genstande fast i afskærmningsnettet på blæserindløbet.
- Juster om nødvendigt røggassugerens led.
- Tilspænd om nødvendigt armens profilbolte - se stjernesymbolerne (\*) i [Figur 7](#).
- Kontrollér, at strømforsyningskablet og blæsermotorkablet ikke er slidte eller beskadigede.

- Kontrollér, at de excentriske låse spænder filterkabinettet ordentligt fast. Juster om nødvendigt de excentriske låse.

## 6.1 Udskiftning af filterindsatsen

Se [Figur 5](#). Filterindsatsen er til engangsbrug og skal bortskaffes efter brug. Filterindsatsens levetid varierer meget, afhængig af hvordan FilterCart Original anvendes, og hvor store mængder og hvilke typer af forurenende stoffer der opsamles.

Enhedens udsugningsevne ved hætten skal kontrolleres regelmæssigt, og filterindsatsen skal udskiftes, når udsugningsevnen er for ringe. Kontrollér altid, at slangerne til udsugningsarmen og blæserindløbet ikke er beskadiget, inden det besluttes, om filterindsatsen skal udskiftes.



### ADVARSEL! Risiko for personskade

Der skal anvendes det nødvendige personlige sikkerhedsudstyr ved udskiftning af filterindsatsen.

Udskift filterindsatsen på følgende måde:

- 1 Afbryd strømforsyningskablet.
- 2 Lås de excentriske låse op, og fjern filterkabinettet.
- 3 Brug den plastpose, som følger med den nye filterindsats, og træk den over den brugte indsats. Fold plastposen ind under indsatsen, og luk den med det medfølgende bånd.
- 4 Den brugte filterindsats skal håndteres i henhold til de gældende bestemmelser for de stoffer, der er blevet opsamlet.
- 5 Aftør filterindsatsens kontaktflader i FilterCart Original.
- 6 Kontrollér, at den nye filterindsats ikke er beskadiget. Kontrollér også, at tætningen på undersiden af indsatsen ikke er beskadiget. Monter den derefter på FilterCart Original.
- 7 Sæt filterkabinettet tilbage. Sørg for, at de excentriske låse spænder filterkabinettet ordentligt fast.
  - A: Låsekraften øges.
  - B: Låsekraften mindskes.

## 6.2 Udskiftning af HEPA-filtret (ekstraudstyr)

Se [Figur 6](#). Hvis FilterCart Original er forsynet med et HEPA-filter, skal filteret udskiftes, når hovedfilterindsatsen udskiftes.



### ADVARSEL! Risiko for personskade

Der skal anvendes det nødvendige personlige sikkerhedsudstyr ved udskiftning af HEPA-filtret.

Udskift HEPA-filterindsatsen på følgende måde:

- 1 Afbryd strømforsyningskablet.

- 2 Skru topdækslet af.
- 3 Fjern det brugte HEPA-filter, og læg det ned i den plastpose, der følger med det nye HEPA-filter. Luk plastposen med det medfølgende bånd.
- 4 Det brugte HEPA-filter skal håndteres i henhold til de gældende bestemmelser for de stoffer, der er blevet opsamlet.
- 5 Kontrollér, at det nye HEPA-filter, punkt A, ikke er beskadiget.

**BEMÆRK!**

Filtrets overflade må ikke berøres.

- 6 Kontrollér, at OPAD-pilen, punkt B, peger opad. HEPA-filtret skal håndteres forsigtigt og indsættes i FilterCart Original. Sørg for, at det monteres i den korrekte position, og at tætningen vender nedad. Kontrollér, at tætningen ikke er beskadiget.
- 7 Sæt topdækslet tilbage. Fastgør det ordentligt.

## 7 Reservdele

**FORSIGTIG! Risiko for beskadigelse af udstyr**

Brug kun originale reservedele og tilbehør fra Nederman.

Kontakt din nærmeste autoriserede forhandler eller Nederman for at få råd om teknisk service, eller hvis du har brug for hjælp til reservedele. Se også [www.nederman.com](http://www.nederman.com).

### 7.1 Bestilling af reservedele

Ved bestilling af reservedele skal der altid oplyses følgende:

- Reservedels- og kontrolnummer (se produktets typeskilt).
- Reservedelens specifikke nummer og navn (se [www.nederman.com/en/service/spare-part-search](http://www.nederman.com/en/service/spare-part-search)).
- Antallet af reservedele.

## 8 Genbrug

Produktet er designet til komponentmaterialer, der kan genanvendes. Forskellige materialetyper skal håndteres i henhold til relevante lokale regler. Kontakt distributøren eller Nederman, hvis der opstår usikkerhed ved ophugning af produktet i slutningen af dets levetid.

# Inhaltsverzeichnis

Abbildungen .....	8
1 Vorwort .....	23
2 Sicherheit .....	23
2.1 Klassifizierung wichtiger Informationen .....	23
2.2 Allgemeine Sicherheitshinweise .....	23
3 Beschreibung .....	23
3.1 Abmessungen .....	23
3.2 Technische Daten .....	24
4 Installation .....	25
4.1 Montage der Abzugshaube .....	25
4.2 Schaltplan .....	25
5 Bedienungshinweise .....	25
6 Wartung .....	25
6.1 Austausch der Filterpatrone .....	25
6.2 Auswechseln des HEPA-Filters (Zubehör) .....	26
7 Ersatzteile .....	26
7.1 Bestellung von Ersatzteilen .....	26
8 Entsorgung .....	26

## 1 Vorwort

Danke, dass Sie ein Nederman-Produkt verwenden!

Die Nederman-Gruppe ist ein weltweit führender Anbieter und Entwickler von Produkten und Lösungen für den Umwelttechnologiesektor. Unsere innovativen Produkte filtern, reinigen und recyceln auch in den anspruchsvollsten Umgebungen. Die Produkte und Lösungen von Nederman helfen Ihnen, Ihre Produktivität zu verbessern, Kosten zu senken und auch die Auswirkungen industrieller Prozesse auf die Umwelt zu reduzieren.

Lesen Sie vor Installation, Benutzung und Wartung dieses Produkts sämtliche Produktdokumentation sowie das Typenschild für dieses Produkt. Bei einem Verlust muss die Dokumentation sofort ersetzt werden. Nederman behält sich das Recht vor, Produkte und Dokumentation ohne vorherige Ankündigung zu ändern.

Dieses Produkt erfüllt die Anforderungen der einschlägigen EU-Richtlinien. Um diesen Status zu wahren, müssen sämtliche Installations-, Wartungs- und Instandsetzungsarbeiten von qualifiziertem Personal und ausschließlich mit Original-Ersatzteilen durchgeführt werden. Wenden Sie sich für Hilfestellung zu technischem Service und für Ersatzteile bitte an Ihren Fachhändler oder direkt an Nederman. Wenn Sie bei Anlieferung des Produktes feststellen, dass Teile beschädigt sind oder fehlen, informieren Sie bitte die Spedition und Ihre Nederman Niederlassung vor Ort.

## 2 Sicherheit

### 2.1 Klassifizierung wichtiger Informationen

Dieses Dokument enthält wichtige Informationen, die in Form von Warnungen und Hinweisen gegeben werden:



#### **WARNUNG! Verletzungsgefahr**

Warnungen weisen auf eine mögliche Gefahr für die Gesundheit und die Sicherheit der Benutzer sowie auf die Gefahrenvermeidung hin.



#### **VORSICHT! Gefahr der Anlagenbeschädigung**

Vorsichtshinweise kennzeichnen eine mögliche Gefahr für das Produkt, jedoch nicht für das Personal, und enthalten Informationen zur Gefahrenvermeidung.



#### **BEACHTEN!**

Hinweise enthalten wichtige Informationen für die Mitarbeiter.

## 2.2 Allgemeine Sicherheitshinweise



#### **WARNUNG! Verletzungsgefahr**

- Das Gerät darf nicht in explosionsgefährdeten Umgebungen oder Bereichen mit explosionsfähigen Stäuben oder Gasen betrieben werden.
- Falls mit dem Gerät Stäube abgesaugt wurden, darf das Gerät danach nicht mehr zum Absaugen von Schweißrauch oder Schleifstaub eingesetzt werden.
- Darauf achten, dass keine Funken oder andere brandgefährliche Objekte in den Arm hinein gesaugt werden. Für Schweißanwendungen mit starker Funkenbildung muss ein Funkenenschutzgitter (Zubehör) in die Haube eingesetzt werden, um die Brandgefahr zu vermindern. Siehe [Abbildung 8](#).
- Das Produkt darf nicht zur Extraktion giftiger Substanzen (außer Schweißrauch) verwendet werden.
- Der Betrieb des Geräts ohne Filterpatrone oder Filtergehäuse ist nicht gestattet.

## 3 Beschreibung

Das FilterCart Original ist ausschließlich für die Absaugung und Filtration von Stäuben und Schweißrauch im Innenbereich bestimmt. Es darf nicht zum Absaugen von Flüssigkeiten verwendet werden.

### 3.1 Abmessungen

Siehe [Abbildung 1](#).

- 1 Horizontaler Schwenkarm.
- 2 Ein/Aus-Motorschalter mit Überlastschutz.
- 3 Höhe je nach Arm.

## 3.2 Technische Daten

FilterCart Original	
DE Kapazität	750-1050 m <sup>3</sup> /h (430-620 cfm)
Abscheidungsgrad, Hauptfilter	> 99 % durchschnittliches Gewicht Filtrationseffizienz <sup>*</sup>
Abscheidungsgrad, HEPA-Filter	> 99.95 % H13 <sup>*</sup>
Filterfläche, Hauptfilter	30 m <sup>2</sup> (323 ft <sup>2</sup> )
Filterfläche, HEPA-Filter	7.5 m <sup>2</sup> (81 ft <sup>2</sup> )
Motorleistung	0.75 kW (1 hp)
Spannung <sup>**</sup>	110/120/2390/240
Phasen	1 ~
Frequenz <sup>**</sup>	50/60 Hz
Transformator	24 V sekundär
Beleuchtung <sup>**</sup>	LED 24 V, 5W/6VA
Alarmsignal	akustisch, 2,9 kHz
Absaugarm, Aktionsradius	maximal 2 m (6 ft 7 in) oder 3 m (9 ft 10 in)
Absaugarm, drehbarer Arm	ca. 240°
Gewicht:	<ul style="list-style-type: none"> <li>• 71 kg (156 lb) mit 2-m-Arm</li> <li>• 73 kg (161 lb) mit 3-m-Arm</li> </ul>
Max. Umgebungstemperatur	40 °C (104 °F)
Max. Lufttemperatur	60 °C (140 °F)
Geräuschpegel	73 dB(A) ISO 11203
Material-Recycling	90 % ohne Filterpatrone (in Gewichts-%)

\* Weitere Informationen finden Sie in den Informationen zur Filterpatrone.

\*\* Modellabhängig.



## 4 Installation

### 4.1 Montage der Abzugshaube

Der Absaugarm ist schon am Gerät montiert. Die Absaughaube muss wie in [Abbildung 3](#) in Position A-D gezeigt montiert werden.

- A Die Absaughaube an den Schwenkarm ansetzen und daran befestigen.
- B Die Beweglichkeit des Schwenkarms justieren.
- C Sicherstellen, dass die Beweglichkeit des Schwenkarms korrekt eingestellt ist und sich der Arm leicht bewegen lässt.
- D Den blauen Schlauch an der Absaughaube anbringen und mit der Spannschelle befestigen.

### 4.2 Schaltplan

Die Kenndaten der Elektrik sind im Schaltplan in [Abbildung 2](#) angegeben.

- E1: 24 V, 5W/6VA
- F1: Ein/Aus-Motorschalter mit Überlastschutz
- F2: 1 AT, 5 x 20 mm
- T1: Transformator
- M1: 0.75 kW

## 5 Bedienungshinweise

In [Abbildung 4](#) und den darauf folgenden Abbildungen ist die bestimmungsgemäße Verwendung des Geräts dargestellt:

- 1 Einstellhebel der Drosselklappe.
  - 2 Schalter für Beleuchtung.
- Die Absaughaube des Absaugarms muss so nah wie möglich an der Entstehungsstelle des Schadstoffs positioniert werden, siehe Punkt A.
  - Der FilterCart Original muss gemäß Punkt A mit entsperren Rädern an der Rückseite bewegt werden.
  - Blockieren Sie dann wie in Pos. B gezeigt die Räder, bevor Sie den Absaugarm positionieren.

## 6 Wartung

Sämtliche Installations-, Instandsetzungs- und Wartungsarbeiten dürfen nur von qualifiziertem Personal und ausschließlich mit Original-Ersatzteilen von Nederman durchgeführt werden. Kontaktieren Sie Ihren autorisierten Händler oder AB Ph. Nederman & Co. zur technischen Beratung oder bei Ersatzteilbedarf. Siehe auch [www.nederman.com](http://www.nederman.com).



### WARNUNG! Verletzungsgefahr

- Vor Beginn von Wartungsarbeiten zuerst das Netzanschlusskabel trennen.
- Die erforderliche persönliche Schutzausrüstung verwenden.

Siehe [Abbildung 7](#). Wartung wird mindestens einmal jährlich empfohlen. Gehen Sie wie folgt vor:

- Wechseln Sie bei Bedarf die Filterpatrone (und ggf. den HEPA-Filter). Siehe [Abschnitt 6.1 Austausch der Filterpatrone](#).
- Die Saugleistung des FilterCart Original prüfen.
- Vergewissern Sie sich, dass der Absaugschlauch nicht beschädigt ist. Wechseln Sie den Schlauch bei Bedarf aus.
- Prüfen Sie, ob der Schlauch an der Einströmöffnung des Ventilators beschädigt ist. Wechseln Sie den Schlauch bei Bedarf aus.
- Sicherstellen, dass sich im Schutzgitter des Ventilatoreinlasses keine Gegenstände verfangen haben.
- Regulieren Sie bei Bedarf das Gestänge des Absauggeräts nach.
- Ziehen Sie ggf. die Schrauben am Parallelogramm des Absaugarms nach (siehe die Sternchen-Symbole \* in [Abbildung 7](#)).
- Netzanschlusskabel und Ventilator motorkabel auf Abnutzung oder Beschädigung kontrollieren.
- Sicherstellen, dass das Filtergehäuse durch die Exzenterverriegelungen dicht angepresst wird. Bei Bedarf die Exzenterverriegelungen einstellen. Siehe [Abschnitt 6.1 Austausch der Filterpatrone](#).

## 6.1 Austausch der Filterpatrone

Siehe [Abbildung 5](#). Die Einweg-Filterpatrone ist nach dem Gebrauch zu entsorgen. Die Lebensdauer der Filterpatrone hängt wesentlich davon ab, wie FilterCart Original verwendet wird und welche Verunreinigungen damit gesammelt werden.

Kontrollieren Sie in regelmäßigen Abständen die Saugleistung an der Haube. Falls sie zu gering ist, müssen Sie die Filterpatrone austauschen. Prüfen Sie jeweils, ob Absaugarm oder Einströmöffnung des Ventilators beschädigt sind, bevor Sie die Filterpatrone austauschen.



### WARNUNG! Verletzungsgefahr

Beim Austauschen der Filterpatronen ist die erforderliche persönliche Schutzausrüstung zu verwenden.

Die Filterpatrone austauschen wie folgt:

- 1 Das Netzanschlusskabel ausstecken.
- 2 Lösen Sie die Exzenter-Spannhebel und nehmen Sie das Filtergehäuse ab.
- 3 Den mit der neuen Filterpatrone erhaltenen Plastikbeutel über die verbrauchte Patrone stülpen. Den Plastikbeutel unter der Patrone hindurchführen und mit dem beiliegenden Band verschließen.
- 4 Handhaben Sie die Filterpatrone entsprechend den einschlägigen Bestimmungen für die darin gesammelten Schadstoffe.
- 5 Wischen Sie die Dichtflächen der Filteraufnahme im FilterCart Original ab.

- 6 Stellen Sie sicher, dass die neue Filterpatrone unbeschädigt ist. Außerdem sicherstellen, dass die unter der Patrone angebrachte Dichtung unbeschädigt ist. Setzen Sie die Filterpatrone anschließend in den FilterCart Original ein.
- 7 Bringen Sie das Filtergehäuse wieder an. Achten Sie darauf, dass die Exzenter-Spannhebel das Filtergehäuse einwandfrei festspannen.
- A: Verriegelungskraft erhöhen.
  - B: Verriegelungskraft verringern.

## 6.2 Auswechseln des HEPA-Filters (Zubehör)

Siehe [Abbildung 6](#). Wurde der FilterCart Original mit einem HEPA-Filter geliefert, so sollte dieser jeweils zusammen mit der Haupt-Filterpatrone gewechselt werden.



### **WARNUNG! Verletzungsgefahr**

Beim Austausch des HEPA-Filters ist die erforderliche persönliche Schutzausrüstung zu verwenden.

Die HEPA-Filterpatrone austauschen wie folgt:

- 1 Das Netzanschlusskabel ausstecken.
- 2 Den oberen Deckel abschrauben.
- 3 Den verbrauchten HEPA-Filter entfernen und in den mit dem neuen HEPA-Filter erhaltenen Plastikbeutel legen. Den Plastikbeutel mit dem beiliegenden Band verschließen.
- 4 Bei der Entsorgung der verbrauchten HEPA-Filterpatrone sind die geltenden Vorschriften für abgechiedene Schadstoffe zu beachten.
- 5 Vergewissern Sie sich, dass der neue HEPA-Filter, Punkt A nicht beschädigt ist.



### **BEACHTEN!**

Die Filteroberfläche darf nicht berührt werden.

- 6 Vergewissern Sie sich, dass der Aufwärtspfeil, Punkt B, nach oben zeigt. Handhaben Sie den FilterCart Original beim Einbau in das Gerät äußerst vorsichtig. Bauen Sie den Filter in der vorgeschriebenen Einbauposition ein; die Dichtung muss unten liegen. Vergewissern Sie sich, dass die Dichtung nicht beschädigt ist.
- 7 Bringen Sie den Deckel wieder an. Schrauben Sie ihn einwandfrei fest.

## 7 Ersatzteile



### **VORSICHT! Gefahr der Anlagenbeschädigung**

Verwenden Sie ausschließlich Originalersatzteile und Zubehör von Nederman.

Wenden Sie sich an einen autorisierten Händler oder an Nederman, um Hilfestellung zum technischen Ser-

vice zu erhalten oder um Ersatzteile zu bestellen. Siehe auch [www.nederman.com](http://www.nederman.com).

## 7.1 Bestellung von Ersatzteilen

Bei der Bestellung von Ersatzteilen ist immer Folgendes anzugeben:

- Teile- und Kontrollnummer (siehe Typenschild am Produkt).
- Ersatzteilnummer mit Beschreibung (siehe [www.nederman.com/en/service/spare-part-search](http://www.nederman.com/en/service/spare-part-search)).
- Benötigte Stückzahl.

## 8 Entsorgung

Bei der Entwicklung des Produktes wurde auf die Recyclingfähigkeit der einzelnen Komponenten geachtet. Die verschiedenen Materialarten sind gemäß den einschlägigen örtlichen Bestimmungen zu entsorgen. Bei Unklarheiten über die korrekte Entsorgung des Produktes wenden Sie sich an Ihren Händler oder an Nederman.

## Tabla de contenidos

Ilustraciones .....	8
1 Prólogo .....	28
2 Seguridad .....	28
2.1 Clasificación de información importante .....	28
2.2 Instrucciones generales de seguridad .....	28
3 Descripción .....	28
3.1 Dimensiones .....	28
3.2 Datos técnicos .....	29
4 Instalación .....	30
4.1 Montaje de la campana de extracción de humos .....	30
4.2 Esquema de circuitos .....	30
5 Instrucciones de uso .....	30
6 Mantenimiento .....	30
6.1 Cambio del cartucho filtrante .....	30
6.2 Cambio del filtro HEPA (accesorio) .....	31
7 Piezas de repuesto .....	31
7.1 Solicitud de piezas de repuesto .....	31
8 Reciclaje .....	31

## 1 Prólogo

¡Gracias por usar un producto de Nederman!

El Grupo Nederman es un proveedor y desarrollador líder mundial de productos y soluciones para el sector de la tecnología ambiental. Nuestros productos innovadores filtrarán, limpiarán y reciclarán en los entornos más exigentes. Los productos y soluciones de Nederman le ayudarán a mejorar su productividad, reducir costes y también el impacto en el medio ambiente de los procesos industriales.


Lea con atención toda la documentación del producto y la placa de identificación del producto antes de la instalación, uso y mantenimiento o reparación de este producto. Si pierde la documentación, sustitúyala inmediatamente. Nederman se reserva el derecho a modificar y mejorar sus productos sin previo aviso, incluida la documentación.


Este producto está diseñado para cumplir los requisitos de las directivas CE aplicables. Para mantener esta condición, cualquier instalación, mantenimiento o reparación deberán ser efectuados por personal cualificado utilizando únicamente piezas de repuesto y accesorios originales Nederman. Póngase en contacto con el distribuidor autorizado más próximo o con Nederman para asesoramiento sobre servicio técnico y obtención de piezas de repuesto. Si hay algún componente dañado o extraviado en la entrega del producto, notifíquelo inmediatamente al transportista y al representante local de Nederman.


## 2 Seguridad

### 2.1 Clasificación de información importante


Este documento incluye información importante que se presenta como una advertencia, precaución o nota:

 **¡ADVERTENCIA! Riesgo de lesión personal**  
Las advertencias indican un peligro potencial para la salud y la seguridad del personal, y la forma en que el peligro puede ser evitado.

 **PRECAUCIÓN! Riesgo de daño del equipo**  
Las precauciones indican un peligro potencial para el producto, pero no para el personal y el modo en que se puede evitar dicho peligro.

 **¡NOTA!**  
Las notas contienen otra información de importancia para el personal.

### 2.2 Instrucciones generales de seguridad

 **¡ADVERTENCIA! Riesgo de lesión personal**

- El producto no debe utilizarse en un entorno con peligro de explosión o con polvo o gases en concentraciones explosivas.
- Si el producto se ha utilizado para aplicaciones de polvo, no debe utilizarse para humos de soldadura o polvo de esmerilado.
- Asegúrese de que el brazo no absorba chispas ni otros objetos que puedan provocar un incendio. Para aplicaciones de soldadura que generan gran cantidad de chispas, debe montarse una protección contra chispas (accesorio) en la campana para reducir el riesgo de incendio. Ver [Ilustración 8](#).
- El producto no debe utilizarse para extraer sustancias tóxicas (excepto humos de soldadura).
- El producto no debe usarse sin cartucho de filtro y carcasa.

## 3 Descripción

El FilterCart Original solo está pensado para uso en interiores y está diseñado para la extracción y filtración de polvo o humos de soldadura. No debe utilizarse para la extracción de fluidos

### 3.1 Dimensiones

Consulte [Ilustración 1](#).

- 1 Brazo giratorio horizontal.
- 2 Arranque / parada Reajuste el protector de sobrecarga.
- 3 Altura, según el brazo.

## 3.2 Datos técnicos

FilterCart Original	
Capacidad	750-1050 m <sup>3</sup> /h (430-620 cfm)
Eficacia de filtrado, filtro principal	> 99 % eficiencia de filtración de peso medio *
Eficacia de filtrado, filtro HEPA	> 99.95 % H13 *
Superficie, filtro principal	30 m <sup>2</sup> (323 ft <sup>2</sup> )
Superficie, filtro HEPA	7.5 m <sup>2</sup> (81 ft <sup>2</sup> )
Potencia del motor	0.75 kW (1 hp)
Tensión **	110/120/2390/240
Fase	1 ~
Frecuencia**	50/60 Hz
Transformador	24 V secundaria
Iluminación**	LED 24 V, 5W/6VA
Señal de alarma	acústica, 2,9 kHz
Brazo extractor, radio de acción	máxima 2 m (6 ft 7 in) o 3 m (9 ft 10 in)
Brazo extractor, brazo articulado	Aprox. 240°
Peso:	<ul style="list-style-type: none"> <li>• 71 kg (156 lb) con brazo de 2 m</li> <li>• 73 kg (161 lb) con brazo de 3 m</li> </ul>
Temperatura, max, temp. ambiente	40 °C (104 °F)
Temperatura, temp. flujo aire	60 °C (140 °F)
Nivel sonoro	73 dB(A) ISO 11203
Reciclaje de material	90 %, en peso sin cartucho de filtro

\* Consulte la información del cartucho de filtro para obtener datos más específicos.

\*\* Según el modelo.

## 4 Instalación

### 4.1 Montaje de la campana de extracción de humos

El brazo del extractor de humos ya está instalado. La campana debe montarse según las [Ilustración 3](#), ítems A - D.

- A Inserte la capucha en el brazo giratorio y fíjela.
- B Ajuste el brazo giratorio a la tensión correcta.
- C Asegúrese de que el brazo giratorio tenga la tensión correcta y se pueda colocar fácilmente.
- D Sujete la manguera azul en el capó y fíjese con el anillo de ajuste.

### 4.2 Esquema de circuitos

Ver diagrama de cableado, [Ilustración 2](#), para detalles eléctricos.

- E1: 24 V, 5W/6VA
- F1: Protector de sobrecarga de arranque / parada
- F2: 1 AT, 5 x 20 mm
- T1: Transformador
- M1: 0.75 kW

## 5 Instrucciones de uso

[Ilustración 4](#) y las siguientes listas indican cómo debe utilizarse la unidad:

- 1 Palanca para ajustar el amortiguador.
  - 2 Cambie para el centro de atención.
- La campana del brazo de extracción debe colocarse tan cerca de la fuente de contaminación como sea posible, consulte el elemento A.
  - Debe moverse el FilterCart Original desde atrás tal y como se muestra en el elemento A y con las ruedas desbloqueadas.
  - El brazo de extracción debe colocarse con las ruedas bloqueadas, como muestra el elemento B.

## 6 Mantenimiento

Las tareas de instalación, reparación y mantenimiento debe llevarlas a cabo personal cualificado, utilizando únicamente piezas de recambio originales. Contacte con su distribuidor autorizado más cercano o con AB Ph. Nederman & Co. para el asesoramiento sobre el servicio técnico o si necesita piezas de repuesto. Visite también [www.nederman.com](http://www.nederman.com).



### ¡ADVERTENCIA! Riesgo de lesión personal

- Desconecte siempre el cable de alimentación de la red antes de comenzar los trabajos de mantenimiento.
- Use los equipos de protección individual necesarios.

Consulte [Ilustración 7](#). Se recomienda el mantenimiento al menos una vez al año. Haga lo siguiente:

- Cambie el cartucho filtrante (y el filtro HEPA opcional) si es necesario, consulte [Sección 6.1 Cambio del cartucho filtrante](#).
- Compruebe la capacidad de circulación de aire de FilterCart Original.
- Compruebe que la manguera del extractor no esté dañada. Cámbiela si es necesario.
- Compruebe que la manguera conectada a la entrada del extractor no esté dañada. Si es necesario, cambie la manguera.
- Compruebe que no hayan quedado objetos retenidos en la rejilla de protección de la entrada del ventilador.
- Si es necesario, ajuste las articulaciones del extractor de humos.
- Si es necesario, apriete los pernos del perfil del brazo, consulte los símbolos \* en [Ilustración 7](#).
- Compruebe que el cable de conexión de la red y el cable del motor del ventilador no estén gastados ni dañados.
- Compruebe que los cierres excéntricos aprieten bien la carcasa del filtro. Ajuste los cierres excéntricos si es necesario, consulte [Sección 6.1 Cambio del cartucho filtrante](#).

### 6.1 Cambio del cartucho filtrante

Consulte [Ilustración 5](#). El cartucho filtrante es desechable y debe desecharse después de su uso. La vida útil del cartucho filtrante varía mucho dependiendo de cómo se use FilterCart Original, cuánto y qué tipo de contaminantes se recojan.

Controle regularmente la capacidad de extracción de la unidad en la campana y cambie el cartucho del filtro cuando la capacidad de extracción sea demasiado baja. Compruebe siempre que las mangueras del brazo de extracción y la entrada del ventilador no estén dañadas antes de decidir cambiar el cartucho del filtro.



### ¡ADVERTENCIA! Riesgo de lesión personal

Use los equipos necesarios de seguridad personal al cambiar los cartuchos de filtro.

Cambie el cartucho filtrante de la siguiente manera:

- 1 Desconecte el cable de conexión a la red.
- 2 Libere los cierres excéntricos y retire la carcasa del filtro.
- 3 Utilice la bolsa de plástico que se suministra con el nuevo cartucho filtrante y cubra con ella el cartucho usado. Doble la bolsa de plástico debajo del cartucho y ciérrelo con la cinta que se incluye.
- 4 Manipule el cartucho de filtro usado de acuerdo con las regulaciones relevantes para las sustancias recolectadas.
- 5 Limpie con un trapo las superficies de contacto del cartucho filtrante en el FilterCart Original.

- 6 Compruebe que el nuevo cartucho filtrante no esté dañado. Compruebe también que la junta situada en el lado inferior del cartucho no esté dañada. Después, colóquelo en el FilterCart Original.
- 7 Vuelva a colocar la carcasa del filtro. Cerciórese de que los cierres excéntricos aprieten bien la carcasa del filtro.
  - A. Aumenta la fuerza de bloqueo.
  - B. Reduce la fuerza de bloqueo.

## 6.2 Cambio del filtro HEPA (accesorio)

Consulte [Ilustración 6](#). Si FilterCart Original se ha suministrado con un filtro HEPA, este debe cambiarse al mismo tiempo que se cambia el cartucho filtrante principal.



**¡ADVERTENCIA! Riesgo de lesión personal**  
Use los equipos necesarios de seguridad personal al cambiar el filtro HEPA.

Cambie el cartucho filtrante HEPA de la siguiente manera:

- 1 Desconecte el cable de conexión a la red.
- 2 Desatornille la cubierta superior.
- 3 Retire el filtro HEPA usado y colóquelo en la bolsa de plástico que se incluye con el nuevo filtro HEPA. Cierre la bolsa de plástico con la cinta suministrada.
- 4 Maneje el cartucho usado de acuerdo con las regulaciones aplicables para las sustancias retenidas.
- 5 Compruebe que el nuevo filtro HEPA, el elemento A, no está dañado.



**¡NOTA!**  
No debe tocar la superficie del filtro.

- 6 Compruebe que la flecha ARRIBA, el elemento B, apunta hacia arriba. Manipule el filtro HEPA con mucho cuidado y colóquelo en el FilterCart Original. Asegúrese de que esté colocado en la posición correcta y de que la junta esté hacia abajo. Compruebe que la junta no esté dañada.
- 7 Vuelva a colocar la tapa superior. Ajústalo de forma segura.

## 7 Piezas de repuesto



**PRECAUCIÓN! Riesgo de daño del equipo**  
Utilice solo piezas de repuesto y accesorios originales Nederman.

Póngase en contacto con su distribuidor autorizado más próximo o con Nederman para asesoramiento sobre servicio técnico o si necesita ayuda con las piezas de repuesto. Consulte también [www.nederman.com](http://www.nederman.com).

### 7.1 Solicitud de piezas de repuesto

Cuando haga pedidos de piezas de repuesto, indique siempre lo siguiente:

- Número de la pieza y de control (véase la placa de identificación del producto).
- Indique el número y el nombre de la pieza de repuesto (visite [www.nederman.com/en/service/spare-part-search](http://www.nederman.com/en/service/spare-part-search)).
- Cantidad de piezas requeridas.

## 8 Reciclaje

El producto se ha diseñado para reciclar los materiales de los componentes. Distintos tipos de materiales deben manipularse según la normativa local aplicable. Contacte con el distribuidor o con Nederman si le plantea dudas cómo desechar el producto al final de su vida útil.

## Sisällysluettelo

Kuvat .....	8
1 Esipuhe .....	33
2 Turvallisuus .....	33
2.1 Tärkeiden tietojen luokittelu .....	33
2.2 Yleiset turvallisuusohjeet .....	33
3 Kuvaus .....	33
3.1 Mitat .....	33
3.2 Tekniset tiedot .....	34
4 Asennus .....	35
4.1 Savunsyöjän imukartion asennus .....	35
4.2 Kytkenäkaavio .....	35
5 Käyttöohjeet .....	35
6 Huolto .....	35
6.1 Suodatinelementin vaihtaminen .....	35
6.2 HEPA-suodattimen vaihtaminen (lisätarvike) .....	36
7 Varaosat .....	36
7.1 Varaosien tilaaminen .....	36
8 Kierrätys .....	36



## 1 Esipuhe

Kiitos Nederman-tuotteen käyttämisestä!

Nederman Group on maailman johtava ympäristöteknologia-alan tuotteiden ja ratkaisujen toimittaja ja kehittäjä. Innovatiiviset tuotteemme suodattavat, puhdistavat ja kierrättävät ilmaa vaativimmissakin ympäristöissä. Nederman-tuotteet ja ratkaisut auttavat sinua parantamaan tuottavuuttasi, alentamaan kustannuksia ja vähentämään myös teollisten prosessien ympäristövaikutuksia.

Lue kaikki mukana toimitetut asiakirjat ja tuotteen tyyppikilpi huolellisesti ennen tuotteen asentamista, käyttämistä tai huoltamista. Hanki kadonneiden tilalle uudet kappaleet välittömästi. Nederman pidättää oikeuden muuttaa ja parantaa tuotteitaan, dokumentaatio mukaan lukien, ilman ennakoilmoitusta.

Tämä tuote on suunniteltu täyttämään asianmukaisten EY-direktiivien vaatimukset. Direktiivien mukaisen tilan ylläpito edellyttää, että kaikki asennus-, korjaus- ja huoltotyöt suorittaa pätevä henkilöstö käyttäen ainoastaan Nederman alkuperäisiä varaosia ja tarvikkeita. Jos haluat neuvoja teknisistä palveluksista tai tilata varaosia, ota yhteys lähimpään valtuutettuun jälleenmyyjään tai Nederman. Jos tuotteessa on toimitettaessa viallisia tai puuttuvia osia, ilmoita asiasta välittömästi kuljetusliikkeelle ja paikalliselle Nederman-edustajalle.

## 2 Turvallisuus

### 2.1 Tärkeiden tietojen luokittelu

Tämä asiakirja sisältää tärkeitä tietoja, jotka annetaan joko varoituksina, huomautuksina tai ilmoituksina:



#### **VAROITUS! Henkilövahingon riski**

Varoitukset ilmoittavat mahdollisesta vaarasta käyttäjien terveydelle ja turvallisuudelle, ja niissä ilmoitetaan, miten vaaran voi välttää.



#### **HUOMIO! Laitevaurion vaara**

Huomautukset koskevat mahdollista vaaraa laitteelle mutta ei henkilöille, ja tapoja, joilla vaara voidaan välttää.



#### **HUOMAUTUS!**

Ilmoitukset sisältävät muuta henkilöstön kannalta tärkeää tietoa.

### 2.2 Yleiset turvallisuusohjeet



#### **VAROITUS! Henkilövahingon riski**

- Tuotetta ei saa käyttää tiloissa, joissa on olemassa räjähdysvaara tai pölyä tai kaasuja räjähtävinä pitoisuuksina.
- Mikäli yksikköä on käytetty pölyn poistamiseen, sitä ei saa käyttää hitsaussavun tai hiontapölyn poistamiseen.
- Tarkista, ettei varteen pääse virtaamaan kipinöitä tai muita tekijöitä, jotka voisivat aiheuttaa tulipalon. Runsaasti kipinöivissä hitsaus-tilanteissa imukartioon on asennettava kipinäsuojus (lisävaruste) tulipalovaaran ehkäisemiseksi (ks. [Kuva 8](#)).
- Tuotetta ei saa käyttää myrkyllisten aineiden (paitsi hitsaus höyryjen) uuttamiseen.
- Tuotetta ei saa käyttää ilman suodatinelementtiä ja suodatinkotelo.

### 3 Kuvaus

FilterCart Original on tarkoitettu ainoastaan sisäkäyttöön pölyn ja hitsaussavun poistamiseen ja suodattamiseen. Sitä ei saa käyttää nesteiden poistamiseen.

#### 3.1 Mitat

Katso [Kuva 1](#).

- 1 Vaakasuoja kääntyvä varsi.
- 2 Käynnistys/Pysäytys Ylikuormitusuojan palautus
- 3 Korkeus käsivarresta riippuen.

## 3.2 Tekniset tiedot

FilterCart Original	
Kapasiteetti	750-1050 m <sup>3</sup> /h (430-620 cfm)
Erotusaste, pääsuodatin	> 99 % keskimääräinen suodatusteho painon mukaan *
Erotusaste, HEPA-suodatin	> 99.95 % H13 *
Suodatusala, pääsuodatin	30 m <sup>2</sup> (323 ft <sup>2</sup> )
Suodatusala, HEPA-suodatin	7.5 m <sup>2</sup> (81 ft <sup>2</sup> )
Moottorin teho	0.75 kW (1 hp)
Jännite**	110/120/2390/240
Vaihe	1 ~
Taajuus**	50/60 Hz
Muuntaja	24 V toisio
Kohdevalon**	LED 24 V, 5W/6VA
Hälytyssignaali	akustinen, 2,9 kHz
Kohdepoistoletkusto, ulottuvuus	enintään 2 m (6 ft 7 in) tai 3 m (9 ft 10 in)
Kohdepoistoletkusto, imuvarsisto	Noin. 240°
Paino:	<ul style="list-style-type: none"> <li>• 71 kg (156 lb) 2 m varrella</li> <li>• 73 kg (161 lb) 3 m varrella</li> </ul>
Lämpötila, ympäristö, maks.	40 °C (104 °F)
Lämpötila, ilmavirta, maks.	60 °C (140 °F)
Melutaso	73 dB(A) ISO 11203
Materiaalin kierrätys	90 paino-% ilman suodatinelementtiä

\* Katso tarkemmat tiedot suodatinpatruunan tiedoista.

\*\* Mallista riippuen.

## 4 Asennus

### 4.1 Savunsyöjän imukartion asennus

Poistovarsi on asennettu valmiiksi. Imukartio on asennettava paikalleen [Kuva 3](#), kohdat A–D, mukaan.

- A Aseta imukartio nivelvarteen ja kiinnitä liitos.
- B Säädä nivelvarren jäykkyys sopivaksi.
- C Varmista, että nivel liikkuu riittävän jäykästi mutta kääntyy silti helposti.
- D Asenna sininen letku imukartioon ja kiinnitä se paikalleen rengasliittimellä.

### 4.2 KytKentäkaavio

Tarkemmat sähkö tiedot on esitetty kytkentäkaaviossa, [Kuva 2](#).

- E1: 24 V, 5W/6VA
- T1: Muuntaja
- F1: Käynnistys/pysäytys ylikuormitus suoja
- M1: 0.75 kW
- F2: 1 AT, 5 x 20 mm.

## 5 Käyttöohjeet

[Kuva 4](#) ja seuraavat luettelot kuvaavat yksikön käyttöä:

- 1 Pellinsäätövipu.
  - 2 Kohdevalon katkaisijat.
- Poistovarteen asennettu imukartio tulee sijoittaa mahdollisimman lähelle kohtaa, jossa pölyä tai savua muodostuu, katso kohta A.
  - FilterCart Originalia tulee siirtää takaa kohdan A mukaisesti ja pyörät lukitsemattomina.
  - Poistovarren kohdistamisen aikana pyörien tulee olla lukittuna kohdan B mukaisesti.

## 6 Huolto

Asennus-, korjaus- ja huoltotöitä saa suorittaa vain pätevä henkilöstö käyttäen ainoastaan alkuperäisiä varaosia. Ota yhteyttä lähimpään valtuutettuun jälleenmyyjään tai AB Ph. Nederman & Co. -yhtiöön, jos tarvitset teknistä neuvontaa tai varaosia. Katso myös [www.nederman.com](http://www.nederman.com).



### **VAROITUS! Henkilövahingon riski**

- Irrota virtajohto aina ennen huoltotoimenpiteiden aloittamista.
- Käytä tarvittavia henkilösuojavarusteita.

Katso [Kuva 7](#). Huoltoa suositellaan vähintään kerran vuodessa. Toimi seuraavasti:

- Vaihda suodatinelementti (ja lisävarusteena hankittu HEPA-suodatin) tarvittaessa, katso [Osio 6.1 Suodatinelementin vaihtaminen](#).
- Tarkasta FilterCart Originalin ilmavirtauskapasiteetti.

- Tarkasta, ettei poistovarren letku ole vaurioitunut. Vaihda letku tarvittaessa.
- Tarkasta, ettei puhaltimen ilmanottoletku ole vaurioitunut. Vaihda letku tarvittaessa.
- Tarkasta, ettei puhaltimen imuaukon suojaverkkoon ole tarttunut mitään.
- Säädä poistovarren niveliä tarvittaessa.
- Kiristä varren kiinnityspultteja tarvittaessa, jotka on merkitty \*-merkillä [Kuva 7](#).
- Tarkasta, etteivät verkkokaapeli ja puhallinmoottorin kaapeli ole kuluneet eivätkä vaurioituneet.
- Tarkasta, että epäkeskolukot kiinnittävät suodatin-kotelon tiukasti kiinni. Säädä epäkeskolukkoja tarvittaessa, katso [Osio 6.1 Suodatinelementin vaihtaminen](#).

### 6.1 Suodatinelementin vaihtaminen

Katso [Kuva 5](#). Suodatinelementti on kertakäyttöinen ja se tulee hävittää käytön jälkeen. Suodatinelementin käyttöikä vaihtelee paljon riippuen FilterCart Originalin käytöstä ja poistettavien epäpuhtauksien määrästä ja tyypistä riippuen.

Tarkasta säännöllisesti yksikön poistokyky imukartiosta ja vaihda suodatin, kun poistokyky on liian heikko. Tarkasta aina ennen kuin päätät vaihtaa suodatinelementin, että poistovarren ja puhaltimen letkut ovat ehjät.



### **VAROITUS! Henkilövahingon riski**

Käytä tarvittavia henkilösuojavarusteita suodatinpatruunoita vaihdettaessa.

Vaihda suodatinpatruuna seuraavasti:

- 1 Irrota virtajohto virtalähteestä.
- 2 Avaa epäkeskolukot ja ota suodatinkotelo pois.
- 3 Vedä uuden suodatinpatruunan mukana toimitettu muovipussi käytetyn patruunan päälle. Taita muovipussi patruunan alle ja sulje se mukana toimitetulla nauhallalla.
- 4 Käsittele käytettyä suodatinelementtiä siihen koottuja aineita koskevien määräysten mukaisesti.
- 5 Pyyhi FilterCart Originalin suodatinpatruunan kosketuspinnat puhtaiksi.
- 6 Tarkasta, ettei uusi suodatinpatruuna ole vaurioitunut. Tarkasta myös, että patruunan alle asennettu tiiviste ei ole vaurioitunut. Asenna se tämän jälkeen FilterCart Originaliin.
- 7 Asenna suodatinkotelo takaisin paikalleen. Varmista, että epäkeskolukot kiinnittävät suodatinkotelon tiukasti kiinni.
  - A Lukitusvoiman lisääminen
  - B Lukitusvoiman vähentäminen

## 6.2 HEPA-suodattimen vaihtaminen (lisätarvike)

Katso [Kuva 6](#). Jos FilterCart Original on varustettu HEPA-suodattimella, se on vaihdettava yhtä aikaa pääsuodattimen patruunan kanssa.



### **VAROITUS! Henkilövahingon riski**

Käytä tarvittavia henkilösuojavarusteita HEPA-suodatinta vaihdettaessa.

FI

Vaihda HEPA-suodatinpatruuna seuraavasti:

- 1 Irrota virtajohto virtalähteestä.
- 2 Kierrä kansi irti.
- 3 Poista käytetty HEPA-suodatin ja pane se uuden HEPA-suodattimen mukana toimitettuun muovipussiin. Sulje muovipussi mukana toimitetulla nauhalla.
- 4 Noudata käytetyn HEPA-suodattimen käsittelyssä suodattimeen kerääntyneille aineille voimassa olevia säädöksiä.
- 5 Varmista, ettei uusi HEPA-suodatin, kohta A, ole vaurioitunut.



### **HUOMAUTUS!**

Suodattimen pintaan ei saa koskea.

- 6 Varmista, että YLÖS-nuoli, kohta B, osoittaa ylöspäin. Käsittele HEPA-suodatinta erittäin varovasti ja asenna se FilterCart Originaliin. Varmista, että se asennetaan oikeaan asentoon tiiviste alaspäin. Varmista, ettei tiiviste ole vaurioitunut.
- 7 Asenna kansi paikalleen. Kiinnitä se kunnolla.

## 7 Varaosat



### **HUOMIO! Laitevaurion vaara**

Käytä vain Nederman alkuperäisiä varaosia ja lisävarusteita.

Jos haluat neuvoja teknisistä palveluista tai tilata varaosia, ota yhteys lähimpään valtuutettuun Nederman-jälleenmyyjään. Katso myös [www.nederman.com](http://www.nederman.com).

### 7.1 Varaosien tilaaminen

Varaosia tilattaessa ilmoita aina seuraavat tiedot:

- Osa- ja tarkistusnumero (katso tuotteen tyyppikilpeä).
- Varaosan osanumero ja nimi (katso [www.nederman.com/en/service/spare-part-search](http://www.nederman.com/en/service/spare-part-search)).
- Tarvittavien varaosien lukumäärä.

## 8 Kierrätys

Tuote on suunniteltu siten, että osien materiaalit voidaan kierrättää. Eri materiaalityypit on käsiteltävä paikallisten säädösten mukaan. Ota kysymyksissä yhteys

jälleenmyyjään tai Nederman, kun tuote heitetään pois sen käyttöänsä lopussa.

## Table des matières

Figures .....	8
1 Préface .....	38
2 Sécurité .....	38
2.1 Classification des informations importantes .....	38
2.2 Consignes de sécurité générales .....	38
3 Description .....	38
3.1 Dimensions .....	38
3.2 Caractéristiques techniques .....	39
4 Installation .....	40
4.1 Mise en place de la hotte d'aspiration des fumées .....	40
4.2 Schéma de câblage .....	40
5 Consignes d'utilisation .....	40
6 Maintenance .....	40
6.1 Remplacement de la cartouche filtrante .....	40
6.2 Remplacement du filtre HEPA (accessoire) .....	41
7 Pièces de rechange .....	41
7.1 Commande de pièces de rechange .....	41
8 Recyclage .....	41

## 1 Préface

Merci d'utiliser un produit Nederman !

Le Groupe Nederman est un fournisseur et développeur leader de produits et solutions pour le secteur de la technologie environnementale. Nos produits innovants filtrent, nettoient et recyclent les environnements les plus exigeants. Les produits et solutions Nederman vous aideront à améliorer votre productivité et à réduire les coûts et l'impact environnemental de vos processus industriels.

FR

Lire attentivement toute la documentation et la plaque signalétique du produit avant l'installation, l'utilisation et l'entretien de ce produit. Remplacer immédiatement la documentation en cas de perte. Nederman se réserve le droit, sans préavis, de modifier et d'améliorer ses produits, y compris la documentation.

Ce produit est conçu pour être conforme aux exigences des directives européennes en vigueur. Pour conserver ce statut, tous les travaux d'installation, de maintenance et de réparation doivent être effectués par du personnel qualifié en n'utilisant que des pièces de rechange et accessoires Nederman d'origine. Pour obtenir des conseils techniques et des pièces de rechange, contacter le distributeur agréé le plus proche ou Nederman. En cas de pièces endommagées ou manquantes à la livraison du produit, en informer immédiatement le transporteur et le représentant Nederman local.

## 2 Sécurité

### 2.1 Classification des informations importantes

Ce document contient des informations importantes qui sont présentées sous forme d'avertissement, de mise en garde ou de note :



#### **ATTENTION! Risque de blessures du personnel.**

Les avertissements indiquent un danger potentiel lié à la santé et à la sécurité du personnel et expliquent comment ce danger peut être évité.



#### **ATTENTION! Risque de dommages sur l'équipement**

Les mises en garde indiquent un danger potentiel pour le produit, mais pas pour le personnel et expliquent comment ce danger peut être évité.



#### **NOTE!**

Les remarques contiennent d'autres informations qui sont importantes pour le personnel.

### 2.2 Consignes de sécurité générales



#### **ATTENTION! Risque de blessures du personnel.**

- Le produit ne doit pas être utilisée dans un environnement comportant des risques d'explosion ou pour des concentrations explosives de poussière ou de gaz.
- Si le produit a été utilisée pour des applications de poussière, elle ne doit pas être utilisée pour les fumées de soudage ou la poussière de meulage.
- Vérifier qu'aucune étincelle ou aucun objet pouvant déclencher un incendie ne soit aspiré dans le bras. Pour les applications de soudage produisant de grandes quantités d'étincelles, un pare-étincelles (accessoire) peut être installé sur la hotte afin de réduire le risque d'incendie (voir aussi le [Figure 8](#)).
- Le produit ne doit pas être utilisée pour l'extraction de substances toxiques (à l'exception des fumées de soudure).
- Le produit ne doit pas être utilisée sans cartouche de filtre et boîtier.

## 3 Description

L'FilterCart Original est uniquement destinée à un usage intérieur. Elle est conçue pour l'extraction et la filtration des fumées de poussière ou de soudage. Elle ne doit pas être utilisée pour d'autres usages.

### 3.1 Dimensions

Voir [Figure 1](#).

- 1 Bras pivotant horizontal.
- 2 Limiteur de surcharge Marche/Arrêt RAZ.
- 3 Hauteur, en fonction du bras.

### 3.2 Caractéristiques techniques

FilterCart Original	
Capacité	750-1050 m <sup>3</sup> /h (430-620 cfm)
Efficacité de filtration, filtre principal	> 99 % d'efficacité moyenne de filtration de poids *
Efficacité de filtration, filtre HEPA	> 99.95 % H13 *
Surface filtrante, filtre principal	30 m <sup>2</sup> (323 ft <sup>2</sup> )
Surface filtrante, filtre HEPA	7.5 m <sup>2</sup> (81 ft <sup>2</sup> )
Puissance du moteur	0.75 kW (1 hp)
Tension **	110/120/2390/240
Phase	1 ~
Fréquence **	50/60 Hz
Transformateur	24 V secondaire
Eclairage**	LED 24 V, 5W/6VA
Signal d'alarme	acoustique, 2,9 kHz
Bras d'extraction, rayon d'action	maximum 2 m (6 ft 7 in) ou 3 m (9 ft 10 in)
Bras extracteur, bras orientable	env. 240°
Poids:	<ul style="list-style-type: none"> <li>• 71 kg (156 lb) avec bras de 2 m</li> <li>• 73 kg (161 lb) avec bras de 3 m</li> </ul>
Température, température ambiante max.	40 °C (104 °F)
Température, température de débit d'air max.	60 °C (140 °F)
Niveau sonore	73 dB(A) ISO 11203
Recyclage des matériaux	90 % du poids, sans cartouche de filtre

\* Voir les informations sur la cartouche filtrante pour des données plus spécifiques.

\*\* En fonction du modèle.

## 4 Installation

### 4.1 Mise en place de la hotte d'aspiration des fumées

Le bras d'aspiration des fumées est déjà monté. La hotte doit être montée conformément à le [Figure 3](#), points A-D.

- A Insérer la hotte dans le bras pivotant et attacher l'ensemble.
- B Ajuster le bras pivotant à la tension correcte.
- C S'assurer que le bras pivotant est à la tension correcte et peut être positionné facilement.
- D Raccorder le tuyau bleu à la hotte et l'attacher à l'aide de la bague de serrage.

### 4.2 Schéma de câblage

Voir le schéma de câblage, [Figure 2](#), pour les éléments électriques.

- E1: 24 V, 5W/6VA
- F1: Limiteur de surcharge Marche/Arrêt
- F2: 1 AT, 5 x 20 mm.
- T1: Transformateur
- M1: 0.75 kW

## 5 Consignes d'utilisation

[Figure 4](#) et la liste ci-dessous illustrent comment utiliser l'unité :

- 1 Levier de réglage de l'amortisseur.
  - 2 Interrupteur pour le projecteur.
- La hotte du bras d'aspiration doit être placée aussi près que possible de la source de pollution. Voir le point A.
  - L'FilterCart Original doit être déplacée depuis l'arrière comme indiqué sur le point A et avec les roues déverrouillées.
  - Le bras d'aspiration doit être positionné avec les roues verrouillées conformément au point B.

## 6 Maintenance

Les travaux d'installation, de réparation et de maintenance doivent être effectués uniquement par du personnel qualifié en n'utilisant que des pièces d'origine. Contacter votre distributeur agréé le plus proche ou AB Ph. Nederman & Co. pour obtenir des conseils sur le service technique ou si vous avez besoin de pièces détachées. Consulter également [www.nederman.com](http://www.nederman.com).



### ATTENTION! Risque de blessures du personnel.

- Débrancher le câble de raccordement au secteur avant de commencer tout travail de maintenance.
- Porter l'équipement de sécurité individuel requis.

Voir [Figure 7](#). La maintenance est recommandée au moins une fois par an. Procédez comme suit :

- Changer la cartouche du filtre (et du filtre HEPA optionnel) si nécessaire. Voir [Section 6.1 Remplacement de la cartouche filtrante](#).
- Vérifier la capacité de débit d'air du FilterCart Original.
- Vérifier que le tuyau d'aspiration des fumées n'est pas endommagé. Si nécessaire, changer le tuyau.
- Vérifier que le tuyau à l'entrée du ventilateur n'est pas endommagé. Si nécessaire, changer le tuyau.
- Vérifier qu'aucun objet n'est bloqué sur la grille à l'entrée du ventilateur.
- Si nécessaire, ajuster les articulations de l'extracteur de fumées.
- Si nécessaire, serrer les boulons de profil de bras, voir les symboles \* dans le [Figure 7](#).
- Vérifier que le câble de raccordement au secteur et le câble du moteur du ventilateur ne sont pas usés ou endommagés.
- Contrôler que les verrous excentriques serrent correctement le boîtier de filtre. Régler les verrous excentriques si nécessaire, voir [Section 6.1 Remplacement de la cartouche filtrante](#).

### 6.1 Remplacement de la cartouche filtrante

Voir [Figure 5](#). La cartouche filtrante dont est muni l'appareil ne sert qu'une fois et doit être jetée une fois usagée. La durée de la cartouche peut varier considérablement et dépend de l'utilisation du FilterCart Original et de la nature des substances filtrées.

Surveiller régulièrement la capacité d'aspiration de l'unité au niveau de la hotte et changer la cartouche de filtre lorsque la capacité d'aspiration est trop faible. Toujours vérifier que les tuyaux du bras d'aspiration et l'entrée du ventilateur ne sont pas endommagés avant de décider de changer la cartouche de filtre.



### ATTENTION! Risque de blessures du personnel.

Porter l'équipement de sécurité individuel requis pour le remplacement des cartouches filtrantes.

Remplacer la cartouche filtrante de la manière suivante:

- 1 Débrancher le câble de raccordement au secteur.
- 2 Déverrouiller les verrous excentriques et retirer le boîtier du filtre.
- 3 Utiliser le sac en plastique fourni avec la cartouche filtrante neuve et le placer sur l'ancienne cartouche. Replier le sac en plastique sous la cartouche et le fermer à l'aide de la courroie fournie.
- 4 Traiter la cartouche de filtre usagée conformément à la réglementation en vigueur pour les substances recueillies.



- 5 Essuyer les surfaces de contact de la cartouche de filtre dans l'FilterCart Original.
- 6 Contrôler que la cartouche filtrante neuve n'est pas endommagée. Vérifier également que le joint placé sous la cartouche n'est pas abîmé. Placer-la ensuite sur FilterCart Original.
- 7 Remettre en place le boîtier du filtre. S'assurer que les verrous excentriques verrouillent correctement le boîtier du filtre.
  - A : Augmentation de la force de verrouillage.
  - B : Diminution de la force de verrouillage.

## 6.2 Remplacement du filtre HEPA (accessoire)

Voir [Figure 6](#). Si le FilterCart Original a été fourni sans filtre HEPA, le remplacer lors du remplacement de la cartouche principale.



### **ATTENTION! Risque de blessures du personnel.**

Porter l'équipement de sécurité individuel requis pour le remplacement du filtre HEPA.

Remplacer la cartouche filtrante HEPA de la manière suivante:

- 1 Débrancher le câble de raccordement au secteur.
- 2 Dévisser le couvercle supérieur.
- 3 Retirer le filtre HEPA usagé et le placer dans le sac en plastique fourni avec le filtre HEPA neuf. Fermer le sac en plastique à l'aide de la courroie fournie.
- 4 Traiter le filtre HEPA usagé conformément à la réglementation en vigueur pour les substances recueillies.
- 5 S'assurer que le filtre HEPA neuf, le point A n'est pas endommagé.



### **NOTE!**

La surface du filtre ne doit pas être touchée.

- 6 Vérifier que la flèche vers le haut, point B, est orientée vers le haut. Manipuler le filtre HEPA avec précaution et placez-le dans le FilterCart Original. Vérifier qu'il est positionné correctement et que le joint est orienté vers le bas. Contrôler que le joint n'est pas abîmé.
- 7 Replacer le couvercle supérieur. Fixer le solidement.

## 7 Pièces de rechange



### **ATTENTION! Risque de dommages sur l'équipement**

Utiliser uniquement des pièces de rechange et accessoires Nederman d'origine.

Pour obtenir des conseils techniques ou des renseignements concernant les pièces de rechange, contac-

ter le distributeur agréé le plus proche ou Nederman. Consulter également [www.nederman.com](http://www.nederman.com).

## 7.1 Commande de pièces de rechange

Les informations suivantes doivent être indiquées lors de la commande de pièces de rechange:

- Numéro de pièce et de contrôle (cf. la plaque signalétique du produit).
- Numéro d'article et nom de la pièce de rechange (voir [www.nederman.com/en/service/spare-part-search](http://www.nederman.com/en/service/spare-part-search)).
- Quantité de pièces nécessaires.

## 8 Recyclage

Le produit a été conçu pour que les matériaux des composants soient recyclés. Les différents types de matériaux le composant doivent être traités conformément aux réglementations locales en vigueur. Contacter le distributeur ou Nederman en cas de question concernant la mise au rebut du produit à la fin de sa durée de service.

## Sommario

Figuras .....	8
1 Premessa .....	43
<b>IT</b> 2 Sicurezza .....	43
2.1 Classificazione di informazioni importanti .....	43
2.2 Istruzioni generali di sicurezza .....	43
3 Descrizione .....	43
3.1 Dimensioni .....	43
3.2 Dati tecnici .....	44
4 Installazione .....	44
4.1 Montaggio della cappa .....	44
4.2 Schema elettrico .....	45
5 Istruzioni per l'uso .....	45
6 Manutenzione .....	45
6.1 Sostituzione della cartuccia filtrante .....	45
6.2 Sostituzione del filtro HEPA (accessorio) .....	45
7 Ricambi .....	46
7.1 Ordinazione di ricambi .....	46
8 Riciclaggio .....	46

## 1 Premessa

Grazie per aver utilizzato un prodotto Nederman!

Il gruppo Nederman è leader mondiale nella fornitura e nello sviluppo di prodotti e soluzioni per il settore delle tecnologie ambientali. I nostri prodotti innovativi filtreranno, puliranno e ricicleranno negli ambienti più esigenti. I prodotti e le soluzioni ti aiuteranno a migliorare la tua produttività, ridurre i costi e anche l'impatto ambientale dei processi industriali.

Il presente manuale è una guida all'installazione, all'uso e alla manutenzione del prodotto. Leggerlo con attenzione prima di utilizzare il prodotto o di sottoporlo a manutenzione. Sostituirlo immediatamente in caso di smarrimento.

Questo prodotto è progettato per soddisfare i requisiti delle direttive CE. Per mantenere tale stato, tutti i lavori di installazione, manutenzione e riparazione devono essere effettuati da personale qualificato utilizzando esclusivamente ricambi originali. Contattare il rivenditore più vicino o Nederman per consigli relativi all'assistenza tecnica e per richiedere i ricambi. In caso di componenti danneggiati o mancanti al momento della consegna del prodotto, avvisare immediatamente il corriere o il concessionario Nederman locale.

## 2 Sicurezza

### 2.1 Classificazione di informazioni importanti

Il presente documento contiene informazioni importanti presentate come avvertenze, precauzioni o note:



#### **AVVERTENZA! Rischio di lesioni personali**

Le avvertenze indicano un potenziale pericolo per la salute e la sicurezza del personale e come questo pericolo può essere evitato.



#### **ATTENZIONE! Rischio di danni all'apparecchiatura**

Attenzione indica un potenziale pericolo per il prodotto, ma non per il personale, e come questo pericolo può essere evitato.



#### **NOTA!**

Le note contengono altre informazioni importanti per il personale.

## 2.2 Istruzioni generali di sicurezza



#### **AVVERTENZA! Rischio di lesioni personali**

- Non utilizzare l'unità in ambienti a rischio di esplosione o dove siano presenti polveri o gas in concentrazioni esplosive.
- Se l'unità è stata utilizzata per applicazioni polverose, non deve essere utilizzata per fumi di saldatura o polveri di smerigliatura.
- Controllare la presenza all'interno del braccio di scintille o altri oggetti che possano causare incendi. Per operazioni di saldatura che prevedono un'elevata quantità di scintille, è necessario montare una protezione parascintille (opzionale) nella cappa per ridurre il rischio di incendio (vedere anche [Figura 8](#)).
- L'unità non deve essere utilizzata per estrarre sostanze tossiche (ad esclusione dei fumi di saldatura).
- L'unità non deve essere utilizzata senza cartuccia filtrante e carter.

## 3 Descrizione

FilterCart Original è progettato per l'uso interno e per l'estrazione e la filtrazione di polveri o di fumi di saldatura. Non deve essere utilizzato per l'estrazione di fluidi.

### 3.1 Dimensioni

Vedere [Figura 1](#).

- 1 Braccio orientabile orizzontale.
- 2 Avvio/arresto Riarmo della protezione contro il sovraccarico.
- 3 Altezza, a seconda del braccio.

### 3.2 Dati tecnici

FilterCart Original	
Capacità	750-1050 m <sup>3</sup> /h (430-620 cfm)
Efficienza di filtrazione, filtro principale	> 99 % media di efficienza di filtrazione sul peso *
Efficienza di filtrazione, filtro HEPA	> 99.95 % H13 *
Area del filtro, filtro principale	30 m <sup>2</sup> (323 ft <sup>2</sup> )
Area del filtro, filtro HEPA	7.5 m <sup>2</sup> (81 ft <sup>2</sup> )
Potenza del motore	0.75 kW (1 hp)
Voltaggio **	110/120/2390/240
Fase	1 ~
Frequenza**	50/60 Hz
Trasformatore	24 V secondario
Illuminazione**	LED 24 V, 5W/6VA
Segnale di allarme	acustico, 2,9 kHz
Braccio di estrazione, raggio di azione **	max. 2 m (6 ft 7 in) o 3 m (9 ft 10 in)
Braccio di estrazione, braccio girevole	circa. 240°
Peso:	<ul style="list-style-type: none"> <li>• 71 kg (156 lb) con braccio da 2 m</li> <li>• 73 kg (161 lb) con braccio da 3 m</li> </ul>
Temperatura, massima temperatura ambiente	40 °C (104 °F)
Temperatura, massima temperatura flusso d'aria	60 °C (140 °F)
Livello di rumorosità	73 dB(A) ISO 11203
Riciclaggio del materiale	90 peso percentuale senza cartuccia filtrante

\* Vedere le informazioni sulla cartuccia del filtro per dati più specifici.

\*\* A seconda del modello.

## 4 Installazione

### 4.1 Montaggio della cappa

Il braccio di estrazione fumi è già montato. La cappa deve essere montata secondo la [Figura 3](#), punti A-D.

- Inserire la cappa nel braccio girevole, e unirli.
- Regolare il braccio girevole alla tensione corretta.
- Assicurarsi che il braccio girevole abbia la tensione corretta e possa essere posizionato facilmente.
- Fissare il flessibile blu nella cappa e fermarlo con l'anello di chiusura.

## 4.2 Schema elettrico

Vedere lo schema del cablaggio, [Figura 2](#), per dettagli elettrici.

- E1: 24 V, 5W/6VA
- F1: Avvio/arresto della protezione contro il sovraccarico
- F2: 1 AT, 5 x 20 mm
- T1: Trasformatore
- M1: 0.75 kW

## 5 Istruzioni per l'uso

[Figura 4](#) e gli elenchi di seguito spiegano come utilizzare l'unità:

- 1 Leva per regolare la serranda.
  - 2 Interruttore per faretto.
- Posizionare la cappa del braccio di estrazione il più vicino possibile alla fonte di inquinamento, vedere l'elemento A.
  - Spostare FilterCart Original da dietro, secondo la figura, punto A, con le ruote sbloccate.
  - Posizionare il braccio di estrazione con le ruote bloccate, secondo il punto B.

## 6 Manutenzione

L'installazione, le riparazioni e la manutenzione devono essere effettuati da personale qualificato utilizzando esclusivamente ricambi originali. Contattare il rivenditore autorizzato più vicino o AB Ph. Nederman & Co. per assistenza tecnica e ricambi. Vedere anche [www.nederman.com](http://www.nederman.com).



### AVVERTENZA! Rischio di lesioni personali

- Scollegare il cavo di alimentazione prima di iniziare qualsiasi intervento di manutenzione.
- Utilizzare dispositivi di protezione personale adeguati.

Vedere [Figura 7](#). Si consiglia di eseguire la manutenzione almeno una volta all'anno. Procedere come indicato di seguito:

- Sostituire la cartuccia filtrante (e il filtro opzionale HEPA) se necessario, vedere [Sezione 6.1 Sostituzione della cartuccia filtrante](#).
- Controllare la capacità di flusso d'aria del FilterCart Original.
- Assicurarsi che l'estrattore di fumi non sia danneggiato. Se necessario, sostituire il flessibile.
- Controllare che il flessibile all'ingresso del ventilatore non sia danneggiato. Se necessario, sostituire il flessibile.
- Verificare che non vi siano oggetti incastrati nella protezione sull'ingresso del ventilatore.
- Se necessario, regolare le connessioni dell'estrattore di fumi.

- Se necessario, serrare i bulloni del profilo del braccio, vedere i simboli \* in [Figura 7](#).
- Controllare che il cavo di alimentazione e il cavo del motore del ventilatore non siano usurati o danneggiati.
- Assicurarsi che i blocchi eccentrici tendano in maniera corretta il carter del filtro. Se necessario, regolare i blocchi eccentrici, vedere [Sezione 6.1 Sostituzione della cartuccia filtrante](#).

## 6.1 Sostituzione della cartuccia filtrante

Vedere [Figura 5](#). La cartuccia filtrante è monouso e va smaltita dopo l'uso. La durata della cartuccia filtrante varia notevolmente in base a come e quanto FilterCart Original viene utilizzato e al tipo di sostanza inquinante aspirata.

Monitorare a intervalli regolari la capacità di estrazione dell'unità sulla cappa e sostituire la cartuccia filtrante quando la capacità di estrazione è troppo bassa. Prima di decidere di sostituire la cartuccia filtrante, controllare che il flessibile del braccio di estrazione e l'ingresso del ventilatore non siano danneggiati.



### AVVERTENZA! Rischio di lesioni personali

Durante la sostituzione delle cartucce, utilizzare dispositivi di protezione personale adeguati.

Per sostituire la cartuccia, procedere come segue:

- 1 Scollegare il cavo di alimentazione.
- 2 Sbloccare i blocchi eccentrici e rimuovere il carter del filtro.
- 3 Riporre la cartuccia usata all'interno del sacchetto di plastica fornito con la nuova cartuccia filtrante. Piegare il sacchetto di plastica sotto la cartuccia e chiuderlo con la fascetta in dotazione.
- 4 Maneggiare la cartuccia filtrante usata secondo le norme rilevanti per le sostanze aspirate.
- 5 Pulire le superfici di contatto della cartuccia filtrante in FilterCart Original.
- 6 Controllare che la nuova cartuccia e la guarnizione montata sotto la cartuccia non siano danneggiate. Montarla quindi su FilterCart Original.
- 7 Reinstallare il carter del filtro. Accertarsi che i fermi eccentrici siano serrati adeguatamente nel carter del filtro.
  - A: Aumentare il bloccaggio.
  - B: Diminuire il bloccaggio.

## 6.2 Sostituzione del filtro HEPA (accessorio)

Vedere [Figura 6](#). Se FilterCart Original è dotato di filtro HEPA, questo deve essere sostituito insieme alla cartuccia principale.



### AVVERTENZA! Rischio di lesioni personali

Durante la sostituzione del filtro HEPA, utilizzare dispositivi di protezione personale adeguati.

Per sostituire il filtro HEPA, procedere come segue:

- 1 Scollegare il cavo di alimentazione.
- 2 Svitare il coperchio superiore.
- 3 Rimuovere il filtro HEPA usato e riporlo nel sacchetto di plastica fornito con il nuovo filtro HEPA. Chiudere il sacchetto di plastica con il nastro in dotazione.
- 4 Smaltire il filtro HEPA sostituito nel rispetto delle norme vigenti relativamente alle sostanze filtrate.
- 5 Assicurarsi che il nuovo filtro HEPA, elemento A, non sia danneggiato.



**NOTA!**

La superficie del filtro non deve essere toccata.

IT

- 6 Verificare che la freccia SU, elemento B, sia rivolta verso l'alto. Maneggiare il filtro HEPA con molta cautela e inserirlo in FilterCart Original. Assicurarsi che sia montato nella posizione corretta e che la guarnizione sia rivolta verso il basso. Assicurarsi anche che la guarnizione non sia danneggiata.
- 7 Reinstallare il coperchio superiore. Fissarlo saldamente.

## 7 Ricambi



**ATTENZIONE! Rischio di danni all'apparecchiatura**

Utilizzare esclusivamente ricambi originali Nederman.

Contattare il rivenditore autorizzato più vicino o Nederman per consulenze in caso di interventi tecnici o di necessità di ricambi. Vedere anche [www.nederman.com](http://www.nederman.com).

### 7.1 Ordinazione di ricambi

Nell'ordine dei ricambi indicare sempre:

- Numero di serie e numero di controllo (fare riferimento alla targhetta identificativa del prodotto).
- Il numero di riferimento del particolare di ricambio e il nome (vedi [www.nederman.com/en/service/spare-part-search](http://www.nederman.com/en/service/spare-part-search)).
- Quantità desiderata di ricambi.

## 8 Riciclaggio

Il prodotto è progettato in modo da riciclare i materiali che lo compongono. I differenti tipi di materiali devono essere gestiti in conformità alle normative locali vigenti. In caso di dubbi sullo smaltimento del prodotto al termine della sua vita contattare il rivenditore o Nederman.

## Inhoudsopgave

Afbeeldingen .....	8
1 Voorwoord .....	48
2 Veiligheid .....	48
2.1 Indeling van belangrijke informatie .....	48
2.2 Algemene veiligheidsinstructies .....	48
3 Beschrijving .....	48
3.1 Afmetingen .....	48
3.2 Technische gegevens .....	49
4 Installatie .....	50
4.1 De afzuigkap monteren .....	50
4.2 Aansluitschema .....	50
5 Gebruiksaanwijzing .....	50
6 Onderhoud .....	50
6.1 Vervanging van het filterpatroon .....	50
6.2 Vervanging van het HEPA-filter (accessoire) .....	51
7 Reserveonderdelen .....	51
7.1 Bestellen van reserveonderdelen .....	51
8 Recycling .....	51

## 1 Voorwoord

Bedankt voor het gebruik van een Nederman product!

De Nederman Group is een wereldwijd toonaangevende leverancier en ontwikkelaar van producten en oplossingen voor de milieutechnologiesector. Onze innovatieve producten filteren, reinigen en recyclen in de meest veeleisende omgevingen. Nederman's producten en oplossingen helpen u uw productiviteit te verbeteren, kosten te verlagen en ook de impact op het milieu van industriële processen te verminderen.

Lees alle productinformatie en het typeplaatje op het product aandachtig alvorens dit product te installeren, te gebruiken en er onderhoud aan te verrichten. Vervang de documentatie onmiddellijk indien deze verloren geraakt is. Nederman behoudt zich het recht voor om zijn producten, inclusief de documentatie, zonder voorafgaande kennisgeving te wijzigen en/of te verbeteren.

Dit product voldoet aan de eisen van de desbetreffende EG-richtlijnen. Om deze status te behouden mogen installatie, onderhoud en reparaties alleen worden uitgevoerd door gekwalificeerd personeel en dit uitsluitend met originele reserveonderdelen en accessoires van Nederman. Neem contact op met uw dichtstbijzijnde erkende Nederman-dealer voor technisch advies en reserveonderdelen. Indien het product bij de levering is beschadigd of er ontbreken onderdelen, dienen het transportbedrijf en uw lokale Nederman-vertegenwoordiger hiervan onmiddellijk op de hoogte te worden gebracht.

## 2 Veiligheid

### 2.1 Indeling van belangrijke informatie

Dit document bevat belangrijke informatie in de vorm van waarschuwingen, aanmaningen om voorzichtig te zijn of opmerkingen:



#### **WAARSCHUWING! Gevaar voor persoonlijk letsel**

Waarschuwingen wijzen op een mogelijk gevaar voor de gezondheid en veiligheid van het personeel en hoe dat gevaar kan worden vermeden.



#### **VOORZICHTIG! Gevaar voor schade aan het materieel**

Waarschuwingen duiden op een mogelijk gevaar voor het product, maar niet voor het personeel, en hoe dat gevaar kan worden vermeden.



#### **OPMERKINGEN!**

Opmerkingen bevatten extra informatie die belangrijk zijn voor het personeel.

## 2.2 Algemene veiligheidsinstructies



#### **WAARSCHUWING! Gevaar voor persoonlijk letsel**

- Het product mag niet worden gebruikt in een omgeving waar er explosiegevaar bestaat voor het afzuigen van stof of gassen in explosieve concentraties.
- Als het product voor stoftoepassingen is gebruikt, mag hij niet voor lasdampen of slijpstof worden gebruikt.
- Zorg dat geen vonken of andere objecten die brand kunnen veroorzaken in de arm worden gezogen. Bij lastoepassingen die veel vonken genereren moet een vonkbescherming (toebehoren) in de kap worden gemonteerd teneinde het brandrisico te beperken (zie [Afbeelding 8](#)).
- Het product mag niet worden gebruikt voor het afzuigen van giftige stoffen (met uitzondering van lasrook).
- Het product mag niet zonder filterpatroon en filterhuis worden gebruikt.

## 3 Beschrijving

De FilterCart Original is alleen bedoeld voor gebruik binnenshuis en werd ontwikkeld voor het afzuigen en filteren van stof of lasdampen. Hij mag niet worden gebruikt voor het afzuigen van vloeistoffen.

### 3.1 Afmetingen

Zie [Afbeelding 1](#).

- 1 Horizontale zwenkarm.
- 2 Start/stop Reset overbelastingsbeveiliging.
- 3 Hoogte, afhankelijk van arm.



## 3.2 Technische gegevens

FilterCart Original	
Capaciteit	750-1050 m <sup>3</sup> /h (430-620 cfm)
Filtorefficiëntie, hoofdfilter	> 99 % filtorefficiëntie bij gemiddeld gewicht *
Filtorefficiëntie, HEPA-filter	> 99.95 % H13 *
Filteroppervlakte, hoofdfilter	30 m <sup>2</sup> (323 ft <sup>2</sup> )
Filteroppervlakte, HEPA-filter	7.5 m <sup>2</sup> (81 ft <sup>2</sup> )
Motorvermogen	0.75 kW (1 hp)
Spanning **	110/120/2390/240
Fase	1 ~
Frequentie **	50/60 Hz
Transformator	24 V secundair
Verlichting**	LED 24 V, 5W/6VA
Alarmsignaal	akoestisch, 2,9 kHz
Afzuigarm, bereik	max. 2 m (6 ft 7 in) of 3 m (9 ft 10 in)
Afzuigarm, draaibare arm	ongeveer 240°
Gewicht:	<ul style="list-style-type: none"> <li>• 71 kg (156 lb) met arm van 2 m</li> <li>• 73 kg (161 lb) met arm van 3 m</li> </ul>
Temperatuur, max. omgevingstemp.	40 °C (104 °F)
Temperatuur, max. luchtstroomtemp.	60 °C (140 °F)
Geluidsniveau	73 dB(A) ISO 11203
Recycling van materiaal	90 gewicht-% zonder filterpatroon

\* Zie de filterpatrooninformatie voor meer specifieke gegevens.

\*\* Afhankelijk van het model.

## 4 Installatie

### 4.1 De afzuigkap monteren

De dampafzuigarm is al gemonteerd. De kap moet worden gemonteerd volgens [Afbeelding 3](#), items A-D.

- A Steek de kap in de zwenkarm en maak ze aan elkaar vast.
- B Stel de zwenkarm af op de juiste spanning.
- C Zorg ervoor dat de zwenkarm de juiste spanning heeft en gemakkelijk kan worden gepositioneerd.
- D Bevestig de blauwe slang in de kap en zet ze vast met de spanning.

### 4.2 Aansluitschema

Raadpleeg het aansluitschema, [Afbeelding 2](#), voor elektrische gegevens.

- E1: 24 V, 5W/6VA
- T1: Transformator
- F1: Start/stop overbelastingsbeveiliging
- M1: 0.75 kW
- F2: 1 AT, 5 x 20 mm

## 5 Gebruiksaanwijzing

[Afbeelding 4](#) en de onderstaande lijsten geven aan hoe u de unit gebruikt:

- 1 Hendel voor het afstellen van de demper.
- 2 Schakelaar voor en spot.
  - De kap van de afzuigarm moet zo dicht mogelijk bij de vervuilsbron worden geplaatst, zie item A.
  - De FilterCart Original moet worden verplaatst vanaf de achterkant zoals in item A en met ontgrendelde wielen.
  - De afzuigarm moet worden gepositioneerd met vergrendelde wielen zoals in item B.

## 6 Onderhoud

De installatie, herstellingen en het onderhoud moeten worden uitgevoerd door gekwalificeerd personeel met behulp van uitsluitend originele reserveonderdelen. Neem contact op met uw dichtstbijzijnde erkende distributeur of AB Ph. Nederman & Co. voor technisch advies of als u reserveonderdelen nodig heeft. Zie ook [www.nederman.com](http://www.nederman.com).



### **WAARSCHUWING! Gevaar voor persoonlijk letsel**

- Koppel de stroomkabel los voordat u onderhoud gaat uitvoeren.
- Gebruik de noodzakelijke persoonlijke veiligheidsuitrusting.

Zie [Afbeelding 7](#). Onderhoud wordt minstens één keer per jaar aanbevolen. Ga als volgt te werk:

- Vervang het filterpatroon (en het optionele HE-PA-filter) indien nodig. Zie [Paragraaf 6.1 Vervanging van het filterpatroon](#).
- Controleer de luchtstroomcapaciteit van de FilterCart Original.
- Controleer of de dampafzuigslang niet beschadigd is. Vervang de slang indien nodig.
- Controleer of de slang naar de ventilatorinlaat niet beschadigd is. Vervang de slang indien nodig.
- Controleer of er geen voorwerpen op het rooster van de ventilatorinlaat zitten.
- Stel indien nodig de verbindingstangen van de dampafzuigslang bij.
- Haal indien nodig de armprofielbouten aan. Zie de symbolen \* in [Afbeelding 7](#).
- Controleer of de verbindingskabel voor het lichtnet en de kabel voor de ventilatiemotor niet versleten of beschadigd zijn.
- Controleer of de excentrische vergrendeling de filterbehuizing goed omsluit. Pas de excentrische vergrendeling aan indien nodig. Zie [Paragraaf 6.1 Vervanging van het filterpatroon](#).

### 6.1 Vervanging van het filterpatroon

Zie [Afbeelding 5](#). Het filterpatroon is een wegwerp-product dat na gebruik moet worden weggegooid. De levensduur van het filterpatroon hangt sterk af van de manier waarop de FilterCart Original wordt gebruikt en welk soort vervuilende stoffen worden afgezogen.

Controleer regelmatig het afzuigvermogen van de kap en vervang het filterpatroon als het afzuigvermogen te zwak is. Controleer altijd of de slangen van de afzuigarm en de ventilatorinlaat niet zijn beschadigd voordat u beslist om het filterpatroon te vervangen.



### **WAARSCHUWING! Gevaar voor persoonlijk letsel**

Gebruik de noodzakelijke persoonlijke veiligheidsuitrusting bij het vervangen van de filterpatronen.

Vervanging van het filterpatroon:

- 1 Koppel de stroomkabel los.
- 2 Ontgrendel de excentrische vergrendelingen en verwijder het filterhuis.
- 3 Gebruik de plastic zak die bij het nieuwe filterpatroon wordt geleverd en trek het over het gebruikte filter. Vouw de plastic zak onder het patroon en sluit het af met de daarvoor bestemde riem.
- 4 Behandel het gebruikte filterpatroon volgens de geldende voorschriften voor de afgezogen stoffen.
- 5 Veeg de contactoppervlakken van het filterpatroon in de FilterCart Original schoon.
- 6 Controleer of het nieuwe filterpatroon niet beschadigd is. Controleer ook of het zegel aan de onderkant van de patroon niet is beschadigd. Daarna

kan het patroon op de FilterCart Original geplaatst worden.

- 7 Plaats het filterhuis terug. Controleer of de excentrische vergrendelingen het filterhuis goed vastzetten.
  - A: Vergrendelingskracht verhogen.
  - B: Vergrendelingskracht verlagen.

## 6.2 Vervanging van het HEPA-filter (accessoire)

Zie [Afbeelding 6](#). Wanneer de FilterCart Original geleverd wordt met een HEPA-filter, dient het filter op hetzelfde moment vervangen te worden als het hoofdpatroon.



### **WAARSCHUWING! Gevaar voor persoonlijk letsel**

Gebruik de noodzakelijke persoonlijke veiligheidsuitrusting bij het vervangen van het HEPA-filter.

Verwissel het HEPA-filter op de volgende manier:

- 1 Koppel de stroomkabel los.
- 2 Schroef het bovendeksel los.
- 3 Verwijder het gebruikte HEPA-filter en stop het in de plastic zak die bij het nieuwe HEPAfilter wordt geleverd. Sluit de plastic zak af met de daarvoor bestemde riem.
- 4 Behandel het gebruikte HEPA-filter volgens de geldende voorschriften voor de afgezogen stoffen.
- 5 Controleer of het nieuwe HEPA-filter, item A niet beschadigd is.



### **OPMERKINGEN!**

Het filteroppervlak mag niet worden aangeraakt.

- 6 Controleer of de pijl-omhoog, item B, naar boven wijst. Behandel het HEPA-filter zeer voorzichtig en plaats het in de FilterCart Original. Zorg ervoor dat het in de juiste positie is gemonteerd en dat de afdichting naar beneden is. Controleer of de verzegeling niet beschadigd is.
- 7 Plaats het bovendeksel terug. Zet het goed vast.

## 7 Reserveonderdelen



### **VOORZICHTIG! Gevaar voor schade aan het materieel**

Gebruik uitsluitend originele reserveonderdelen en accessoires van Nederman.

Neem contact op met uw dichtstbijzijnde erkende dealer of met Nederman voor technisch advies en reserveonderdelen. Zie ook [www.nederman.com](http://www.nederman.com).

## 7.1 Bestellen van reserveonderdelen

Wanneer u reserveonderdelen bestelt dient u steeds het volgende te vermelden:

- Onderdeel- en controlenummer (raadpleeg het productidentificatieplaatje).
- Detailnummer en naam van het reserveonderdeel (zie [www.nederman.com/en/service/spare-part-search](http://www.nederman.com/en/service/spare-part-search)).
- Het aantal benodigde onderdelen.

## 8 Recycling

Het product werd ontworpen met recycleerbare materialen. De verschillende materiaalsoorten moeten overeenkomstig de betreffende plaatselijke wetgeving worden verwerkt. Neem contact op met de distributeur of met Nederman indien u twijfels hebt over het tot schroot verwerken van het product aan het einde van zijn levensduur.

## Spis treści

	Rysunki .....	8
1	Wprowadzenie .....	53
2	Bezpieczeństwo .....	53
2.1	Klasyfikacja ważnych informacji .....	53
2.2	Ogólne instrukcje bezpieczeństwa .....	53
3	Opis .....	53
3.1	Wymiary .....	53
3.2	Dane techniczne .....	54
4	Instalacja .....	55
4.1	Montaż okapu wyciągu oparów .....	55
4.2	Schemat połączeń .....	55
5	Wskazówki dot. sposobu użycia .....	55
6	Konserwacja .....	55
6.1	Wymiana wkładu filtracyjnego .....	55
6.2	Wymiana filtra HEPA (akcesorium) .....	56
7	Części zamienne .....	56
7.1	Zamawianie części zamiennych .....	56
8	Recykling .....	56

## 1 Wprowadzenie

Dziękujemy za korzystanie z Nederman produktu!

Nederman Grupa jest wiodącym na świecie dostawcą i producentem produktów i rozwiązań dla sektora technologii środowiskowych. Nasze innowacyjne produkty mogą filtrować, czyścić i poddać recyklingowi w najbardziej wymagających środowiskach. Nederman produkty i rozwiązania pomogą Ci zwiększyć produktywność, obniżyć koszty, a także zmniejszyć wpływ procesów przemysłowych na środowisko.

Przed przystąpieniem do montażu, obsługi i serwisowania produktu uważnie zapoznaj się z wszelką dokumentacją produktu oraz z treścią jego tabliczki znamionowej. W razie zagubienia dokumentacji należy natychmiast pozyskać jej nowy egzemplarz. Firma Nederman zastrzega sobie prawo do modyfikowania i udoskonalania swoich produktów - w tym dokumentacji - bez uprzedniego powiadomienia.

Niniejsze urządzenie zostało zaprojektowane w sposób zapewniający zgodność z odpowiednimi dyrektywami WE. Utrzymanie tego stanu gwarantowane jest pod warunkiem wykonywania wszystkich prac związanych z instalacją, konserwacją i naprawami przez wykwalifikowanych pracowników oraz z wykorzystaniem wyłącznie oryginalnych części zamiennych. W razie konieczności skorzystania z pomocy serwisu technicznego i zamówienia części zamiennych skontaktuj się z firmą Nederman lub jej najbliższym autoryzowanym dystrybutorem. W przypadku uszkodzenia lub brakujących części należy natychmiast poinformować o tym lokalnego przedstawiciela firmy Nederman.

## 2 Bezpieczeństwo

### 2.1 Klasyfikacja ważnych informacji

Niniejszy dokument zawiera ważne informacje przedstawione w postaci ostrzeżeń, ostrzeżeń i uwag.



#### **OSTRZEŻENIE! Ryzyko obrażeń ciała**

Ostrzeżenia wskazują na potencjalne zagrożenia dla zdrowia i bezpieczeństwa personelu oraz informują o sposobach unikania takich zagrożeń.



#### **PRZESTROGA! Ryzyko uszkodzenia sprzętu**

„Przestrogi” wskazują potencjalne zagrożenia dla produktu, lecz nie dla personelu, oraz precyzują, jak ich uniknąć.



#### **UWAGA!**

W uwagach zamieszczono inne ważne dla użytkowników informacje.

### 2.2 Ogólne instrukcje bezpieczeństwa



#### **OSTRZEŻENIE! Ryzyko obrażeń ciała**

- Produkt nie może być używany w środowisku zagrożonym wybuchem lub w przypadku pyłu lub gazów w stężeniach wybuchowych.
- Jeśli produkt był wykorzystywany do usuwania zapylenia, nie może być wykorzystywany do dymów spawalniczych lub pyłu pochodzącego ze szlifowania.
- Należy upewnić się, że do wnętrza ramienia nie są zasysane iskry lub jakiegokolwiek materiały mogące spowodować pożar. W przypadku zastosowań wiążących się z wytwarzaniem dużej ilości iskier, w okapie należy zamontować zabezpieczenie przeciwiskrowe (wyposażenie dodatkowe), aby zmniejszyć ryzyko zapalenia. Patrz [Ilustracja 8](#).
- Produkt nie może być używany do ekstrakcji substancji toksycznych (oprócz dymów spawalniczych).
- Produkt nie może być używany bez wkładu filtracyjnego i obudowy.

### 3 Opis

Urządzenie FilterCart Original jest przeznaczone wyłącznie do użytku wewnętrznego i służy do odciążenia i filtracji pyłów lub dymów spawalniczych. Nie wolno go stosować do odciążania płynów.

#### 3.1 Wymiary

Patrz [Ilustracja 1](#).

- 1 Poziome ramię obrotowe.
- 2 Uruchamianie/zatrzymywanie, resetowanie zabezpieczenia przeciążeniowego.
- 3 Wysokość, w zależności od ramienia.

## 3.2 Dane techniczne

FilterCart Original	
Wydajność	750-1050 m <sup>3</sup> /h (430-620 cfm)
Skuteczność filtracji, filtr główny	> 99 % średnia wagowa skuteczność filtrowania *
Skuteczność filtracji, filtr HEPA	> 99.95 % H13 *
Powierzchnia filtra, filtr główny	30 m <sup>2</sup> (323 ft <sup>2</sup> )
Powierzchnia filtra, filtr HEPA	7.5 m <sup>2</sup> (81 ft <sup>2</sup> )
Moc silnika	0.75 kW (1 hp)
Napięcie **	110/120/2390/240
Faza	1 ~
Częstotliwość**	50/60 Hz
Transformator	24 V wtórny
Oświetlenie punktowe**	LED 24 V, 5W/6VA
Sygnał alarmu	akustyczny, 2,9 kHz
Ramię odciągowe, promień działania	maks. 2 m (6 ft 7 in) lub 3 m (9 ft 10 in)
Ramię odciągowe, obrotowe	ok. 240°
Ciężar:	<ul style="list-style-type: none"> <li>• 71 kg (156 lb) z ramieniem o długości 2 m</li> <li>• 73 kg (161 lb) z ramieniem o długości 3 m</li> </ul>
Temperatura, maks. temperatura otoczenia	40 °C (104 °F)
Temperatura, maks. temperatura przepływu powietrza	60 °C (140 °F)
Poziom hałasu	73 dB(A) ISO 11203
Recykling materiałów	90 masa %, z wkładem filtra

\* Więcej szczegółowych danych można znaleźć w informacjach o wkładach filtracyjnych.

\*\* W zależności od modelu.

## 4 Instalacja

### 4.1 Montaż okapu wyciągu oparów

Ramię odciągowe oparów jest już zamontowane. Ssawkę należy zamontować zgodnie z [Ilustracja 3](#), punkty A-D.

- A Włóż ssawkę do ramienia obrotowego i przymocuj je do siebie.
- B Wyreguluj ramię obrotowe, aby uzyskać prawidłowe napięcie.
- C Upewnij się, że napięcie ramienia obrotowego jest prawidłowe oraz że można łatwo ustalać jego pozycję.
- D Zamocuj niebieski wąż do ssawki i zabezpiecz go za pomocą nakrętki wieńcowej.

### 4.2 Schemat połączeń

Patrz schemat połączeń elektrycznych, [Ilustracja 2](#), aby uzyskać informacje o instalacji elektrycznej.

- E1: 24 V, 5W/6VA
- F1: Uruchamianie/zatrzymywanie zabezpieczenia przeciążeniowego
- F2: 1 AT, 5 x 20 mm
- T1: Transformator
- M1: 0.75 kW

## 5 Wskazówki dot. sposobu użycia

[Ilustracja 4](#) i poniższa lista przedstawiają metody użytkowania urządzenia:

- 1 Dźwignia regulacji przepustnicy.
  - 2 Przełącznik oświetlenia punktowego.
- Ssawkę ramienia odprowadzającego należy umieścić możliwie blisko źródła zanieczyszczeń, patrz pozycja A.
  - FilterCart Original należy przemieszczać od tyłu zgodnie z punktem A i z odblokowanymi kołami.
  - Pozycję ramienia odprowadzającego należy ustalać przy zablokowanych kołach, zgodnie z punktem B.

## 6 Konserwacja

Wszystkie prace związane z instalacją, naprawami i konserwacją muszą być wykonywane przez wykwalifikowany personel oraz z wykorzystaniem wyłącznie oryginalnych części zamiennych. Aby uzyskać poradę w kwestii serwisu technicznego lub jeśli potrzebujesz części zamiennych, skontaktuj się z firmą AB Ph. Nerdeman & Co. lub jej najbliższym autoryzowanym dystrybutorem. Patrz również: [www.nederman.com](http://www.nederman.com).



### OSTRZEŻENIE! Ryzyko obrażeń ciała

- Należy odłączyć główny przewód zasilający przed rozpoczęciem jakichkolwiek prac konserwacyjnych.
- Należy stosować niezbędny sprzęt ochrony osobistej.

Patrz [Ilustracja 7](#). Konserwacja jest zalecana co najmniej raz w roku. Wykonać następujące czynności:

- Wymień wkład filtracyjny (i opcjonalny filtr HEPA) w razie potrzeby, patrz [Punkt 6.1 Wymiana wkładu filtracyjnego](#).
- Sprawdź wydajność przepływu powietrza FilterCart Original.
- Sprawdź, czy wąż do usuwania oparów nie jest uszkodzony, w razie potrzeby wymień wąż.
- Sprawdź, czy wąż do wlotu wentylatora nie jest uszkodzony. W razie potrzeby wymień wąż.
- Sprawdź, czy żadne obiekty nie zostały wylapane przez siatkę zabezpieczającą wlot wentylatora.
- W razie potrzeby wyreguluj połączenia systemu odprowadzania oparów.
- W razie potrzeby dokręć śruby mocujące profil ramienia. Zwróć uwagę na symbole\* w [Ilustracja 7](#).
- Sprawdź, czy główny przewód zasilający i przewód silnika wentylatora nie są zużyte lub uszkodzone.
- Sprawdź, czy mimośrodowe blokady prawidłowo dociskają obudowę filtra. W razie potrzeby wyreguluj blokady mimośrodowe, patrz [Punkt 6.1 Wymiana wkładu filtracyjnego](#).

### 6.1 Wymiana wkładu filtracyjnego

Patrz [Ilustracja 5](#). Wkład filtracyjny jest elementem jednorazowego użytku i należy go wyrzucić po użyciu. Żywotność wkładu w znacznym stopniu zależy od sposobu użytkowania FilterCart Original oraz ilości i rodzaju usuwanych zanieczyszczeń.

Należy regularnie sprawdzać wydajność odprowadzania zanieczyszczeń urządzenia w okolicy ssawki i w przypadku zbyt niskiej wydajności wymienić wkład filtracyjny. Przed podjęciem decyzji o wymianie wkładu należy zawsze sprawdzić, czy węże ramienia odprowadzającego oraz wlot wentylatora nie są uszkodzone.



### OSTRZEŻENIE! Ryzyko obrażeń ciała

Podczas wymiany wkładów filtra należy stosować odpowiednie środki ochrony osobistej.

Wymień wkład filtra w następujący sposób:

- 1 Odłącz główny przewód zasilający.
- 2 Zwolnij blokady mimośrodowe i zdejmij obudowę filtra.
- 3 Użyj plastikowej torby, która jest dostarczana z nowym wkładem filtra i przeciągnij ją na zużyty wkład. Połóż plastikową torebkę pod wkład i zamknij ją za pomocą dołączonej opaski.

- 4 Usuń zużyty wkład filtra zgodnie z odpowiednimi przepisami dotyczącymi zebranych substancji.
- 5 Przetrzyj powierzchnię kontaktu z wkładem filtracyjnym w FilterCart Original.
- 6 Sprawdź, czy nowy wkład filtracyjny nie jest uszkodzony. Sprawdź również, czy uszczelka zamontowana na spodzie wkładu nie jest uszkodzona. Następnie umieść wkład na FilterCart Original.
- 7 Załóż obudowę filtra. Upewnij się, że mimośrodowe blokady prawidłowo dociskają obudowę filtra.
  - A: Zwiększanie mocy blokady.
  - B: Zmniejszanie mocy blokady.

## 6.2 Wymiana filtra HEPA (akcesorium)

Patrz [ilustracja 6](#). Jeżeli FilterCart Original został dostarczony z filtrem HEPA, należy wymienić go podczas wymiany głównego wkładu filtracyjnego.



### **OSTRZEŻENIE! Ryzyko obrażeń ciała**

Podczas wymiany filtra HEPA należy stosować odpowiednie środki ochrony osobistej.

Wymień wkład filtra HEPA w następujący sposób:

- 1 Odłącz główny przewód zasilający.
- 2 Odkręć górną pokrywę.
- 3 Wyjmij zużyty filtr HEPA i włóż go do plastikowej torby, która jest dołączona do nowego filtra HEPA. Zamknij plastikową torbę za pomocą dostarczonej opaski.
- 4 Usuń zużyty filtr HEPA zgodnie z odpowiednimi przepisami dotyczącymi zebranych substancji.
- 5 Sprawdź, czy nowy filtr HEPA, pozycja A, nie jest uszkodzony.



### **UWAGA!**

Nie wolno dotykać powierzchni filtra.

- 6 Należy sprawdzić, czy strzałka w górę, pozycja B, jest skierowana do góry. Z filtrem HEPA trzeba obchodzić się bardzo ostrożnie i dopasować go do FilterCart Original. Upewnij się, że filtr jest zamocowany w odpowiedniej pozycji, a jego uszczelnienie jest skierowane w dół. Sprawdź, czy uszczelnienie nie jest uszkodzone.
- 7 Załóż górną pokrywę. Zamocuj ją bezpiecznie.

## 7 Części zamienne



### **PRZESTROGA! Ryzyko uszkodzenia sprzętu**

Należy używać wyłącznie oryginalnych części zamiennych firmy Nederman.

W razie konieczności uzyskania wskazówek dotyczących serwisu technicznego lub pomocy w sprawie części zamiennych, skontaktuj się z firmą Nederman lub jej najbliższym autoryzowanym dystrybutorem. Patrz również: [www.nederman.com](http://www.nederman.com).

## 7.1 Zamawianie części zamiennych

W przypadku zamawiania części zawsze należy podawać następujące informacje:

- Numer części i numer kontrolny (patrz: tabliczka znamionowa produktu).
- Numer szczegółowy i nazwę części zamiennej (patrz: [www.nederman.com/en/service/spare-part-search](http://www.nederman.com/en/service/spare-part-search)).
- Wymagana ilość części.

## 8 Recykling

Produkt został zaprojektowany w taki sposób, aby możliwe było powtórne przetworzenie materiałów użytych do produkcji jego elementów. Z materiałami różnego rodzaju należy postępować zgodnie z właściwymi przepisami miejscowymi. W razie wątpliwości podczas utylizowania produktu po zakończeniu okresu jego eksploatacji skontaktuj się z firmą Nederman lub jej dystrybutorem.



## Índice

Figuras .....	8
1 Prefácio .....	58
2 Segurança .....	58
2.1 Classificação de informações importantes .....	58
2.2 Instruções gerais de segurança .....	58
3 Descrição .....	58
3.1 Dimensões .....	58
3.2 Dados técnicos .....	59
4 Instalação .....	60
4.1 Montagem do exaustor de fumos .....	60
4.2 Diagrama de cabos .....	60
5 Instruções de uso .....	60
6 Manutenção .....	60
6.1 Troca do cartucho do filtro .....	60
6.2 Troca do filtro HEPA (acessório) .....	61
7 Peças sobressalentes .....	61
7.1 Encomenda de peças sobressalentes .....	61
8 Reciclagem .....	61

## 1 Prefácio

Obrigado por usar o produto Nederman!

O Grupo Nederman é um fornecedor e desenvolvedor líder mundial de produtos e soluções no setor de tecnologia ambiental. Nossos produtos inovadores filtram, limpam e reciclam nos ambientes mais exigentes. Os produtos e soluções da Nederman ajudarão você a melhorar sua produtividade, reduzir custos e diminuir o impacto ao meio ambiente dos processos industriais.

Leia com atenção toda a documentação e a placa de identificação do produto antes de realizar a instalação, de usar e de realizar a manutenção neste produto. Em caso de perda, substitua a documentação imediatamente. Nederman reserva-se o direito de alterar ou melhorar seus produtos, incluindo sua documentação, sem aviso prévio.

Este produto está concebido para cumprir as exigências das directivas CE relevantes. Para manter este estado, todo o trabalho de instalação, manutenção e reparação tem de ser executado por pessoal qualificado, utilizando apenas peças sobressalentes originais. Contacte o seu distribuidor autorizado mais próximo ou a Nederman para consultoria sobre assistência técnica e obtenção de peças sobressalentes. No caso de danos ou peças em falta, notifique imediatamente a transportadora e o representante Nederman local.

## 2 Segurança

### 2.1 Classificação de informações importantes

Este documento contém informações importantes que são apresentadas como aviso, cuidado ou observação. Veja os exemplos a seguir:



#### **ADVERTÊNCIA! Risco de ferimentos pessoais**

As advertências indicam risco em potencial para a saúde e segurança do pessoal e como esse risco pode ser evitado.



#### **CUIDADO! Risco de danos no equipamento**

Os avisos indicam um risco em potencial para o produto, mas não para o pessoal, e como esse risco pode ser evitado.



#### **NOTA!**

As observações contêm outras informações importantes para o pessoal.

### 2.2 Instruções gerais de segurança



#### **ADVERTÊNCIA! Risco de ferimentos pessoais**

- O produto não deve ser utilizado num ambiente onde houver perigo de explosão ou se existirem concentrações explosivas de poeiras ou gases.
- Se o produto tiver sido utilizado para aplicações de pó, não deve ser utilizado para fumos de soldadura ou poeira de rebarbagem.
- Verifique que não aspira nenhuma faísca ou outro objecto que possa causar incêndio para dentro do braço. Para operações de soldadura que causem um elevado número de faíscas, uma protecção contra fagulhas (acessório) deve ser instalada na campânula para reduzir o risco de incêndio (vide a [Figura 8](#)).
- O produto não deve ser utilizado para a extração de substâncias tóxicas (exceto fumos de soldadura).
- O produto não deve ser utilizado sem cartuchos de filtro e invólucro.

## 3 Descrição

O FilterCart Original destina-se apenas à utilização no interior e foi concebido para extração e filtração de pó ou fumos de soldadura. Não deve ser utilizado para a extração de fluidos.

### 3.1 Dimensões

Consulte [Figura 1](#).

- 1 Braço giratório horizontal.
- 2 Iniciar/Parar Reset do Protetor de sobrecarga.
- 3 Altura, dependendo do braço.

## 3.2 Dados técnicos

FilterCart Original	
Capacidade	750-1050 m <sup>3</sup> /h (430-620 cfm)
Eficiência de filtragem, filtro principal	> 99 % de eficiência de filtragem em relação ao peso médio *
Eficiência de filtragem, filtro HEPA	> 99.95 % H13 *
Área do filtro, filtro principal	30 m <sup>2</sup> (323 ft <sup>2</sup> )
Área do filtro, filtro HEPA	7.5 m <sup>2</sup> (81 ft <sup>2</sup> )
Potência do motor	0.75 kW (1 hp)
Voltagem **	110/120/2390/240
Fase	1 ~
Frequência**	50/60 Hz
Transformador	24 V secundário
Holofote**	LED 24 V, 5W/6VA
Sinal de alarme	acústico, 2.9 kHz
Braço extractor, raio de ação	máximo 2 m (6 ft 7 in) ou 3 m (9 ft 10 in)
Braço extração, giratório	aprox. 240°
Peso:	<ul style="list-style-type: none"> <li>• 71 kg (156 lb) com braço de 2 m</li> <li>• 73 kg (161 lb) com braço de 3 m</li> </ul>
Temperatura, temperatura máxima ambiente.	40 °C (104 °F)
Temperatura, temperatura máxima do fluxo de ar.	60 °C (140 °F)
Nível de ruído	73 dB(A) ISO 11203
Reciclagem do material	90% do peso sem o cartucho do filtro

\* Consulte as informações do cartucho de filtro para dados mais específicos.

\*\* Dependendo do modelo.

## 4 Instalação

### 4.1 Montagem do exaustor de fumos

O braço do extrator de fumos é fornecido montado. A cúpula deve ser montada de acordo com a [Figura 3](#), itens A-D.

- A Insira a cúpula no braço oscilante e una ambas as partes.
- B Ajuste o braço oscilante na tensão correta.
- C Confira se o braço oscilante está tensionado corretamente e pode ser posicionado com facilidade.
- D Instale a mangueira azul na cúpula e prenda-a usando o anel de fixação.

### 4.2 Diagrama de cabos

Consulte o desenho de fiação, [Figura 2](#), para obter detalhes elétricos.

- E1: 24 V, 5W/6VA
- T1: Transformador
- F1: Iniciar/parar Protetor de sobrecarga.
- M1: 0,75 kW
- F2: 1 AT, 5 x 20 mm.

## 5 Instruções de uso

[Figura 4](#) e as seguintes listas ilustram como utilizar a unidade:

- 1 Alavanca de ajuste do abafador.
  - 2 Interruptore para foco de luz.
- A capota do braço de extração deve ser posicionada o mais próximo possível da fonte de poluição, ver ponto A.
  - O FilterCart Original deve ser movido por trás de acordo com o ponto A e com as rodas destrancadas.
  - O braço de extração deve ser posicionado com as rodas trancadas de acordo com o ponto B.

## 6 Manutenção

A instalação, reparação e manutenção têm de ser executadas por pessoal qualificado, utilizando apenas peças sobressalentes originais. Contacte o seu distribuidor autorizado mais próximo ou a AB Ph. Nederman & Co. para aconselhamento sobre assistência técnica ou se precisar de peças sobressalentes. Consulte também [www.nederman.com](http://www.nederman.com).



### ADVERTÊNCIA! Risco de ferimentos pessoais

- Desconecte o cabo de conexão à rede elétrica antes de começar trabalhos de manutenção.
- Use o equipamento de segurança pessoal que for necessário.

Ver [Figura 7](#). Recomenda-se proceder a manutenção, pelo menos, uma vez por ano. Faça o seguinte:

- Se necessário, troque o cartucho do filtro (e o filtro HEPA opcional), ver [Seção 6.1 Troca do cartucho do filtro](#).
- Verifique a capacidade de fluxo de ar do FilterCart Original.
- Verifique se a mangueira do Extrator de Fumaça não está danificada. Se necessário, troque a mangueira.
- Verifique se a mangueira na entrada do ventilador não está danificada. Se necessário, troque a mangueira.
- Verifique se não há objetos presos na rede de proteção na entrada do ventilador.
- Se necessário, ajuste as conexões do Extrator de Fumos.
- Se necessário, aperte os parafusos do perfil dos braços, vide os símbolos \* na [Figura 7](#).
- Verifique se o cabo de conexão da rede elétrica e o cabo do motor do ventilador não estão danificados ou gastos.
- Verifique se as travas excêntricas apertam corretamente o invólucro do filtro. Ajuste as travas excêntricas, se necessário, ver [Seção 6.1 Troca do cartucho do filtro](#).

### 6.1 Troca do cartucho do filtro

Ver [Figura 5](#). O cartucho do filtro é descartável e deve ser deitado fora após a utilização. A vida útil do cartucho do filtro varia muito dependendo da forma como o FilterCart Original é utilizado, da quantidade e do tipo de poluentes que são recolhidos.

Examine periodicamente a capacidade de extração do equipamento na cúpula, e troque o cartucho do filtro quando a capacidade de extração estiver muito baixa. Verifique sempre se as mangueiras do braço de extração e a entrada do ventilador não estão danificadas, antes de decidir trocar o cartucho do filtro.



### ADVERTÊNCIA! Risco de ferimentos pessoais

Quando for trocar os cartuchos do filtro, use o equipamento de segurança pessoal necessário.

Troque o cartucho do filtro da seguinte forma:

- 1 Desconecte o cabo de conexão da rede elétrica.
- 2 Solte as travas excêntricas e retire o compartimento do filtro.
- 3 Utilize o saco de plástico que é fornecido com o novo cartucho do filtro e puxe-o sobre o cartucho utilizado. Dobre o saco de plástico por baixo do cartucho e feche-o com a banda fornecida.
- 4 Trate o cartucho de filtro usado de acordo com as regulamentações correspondentes às substâncias coletadas.
- 5 Limpe as superfícies de contacto do cartucho do filtro no FilterCart Original.
- 6 Verifique se o novo cartucho do filtro não está danificado. Verifique também se o vedante montado

na parte inferior do cartucho não está danificado. Em seguida, encaixe-o no FilterCart Original.

- 7 Reinstale o compartimento do filtro. Verifique se as travas excêntricas estão bem encaixadas no compartimento do filtro.
  - A: Aumento da força de travamento.
  - B: Diminuição da força de travamento.

## 6.2 Troca do filtro HEPA (acessório)

Ver [Figura 6](#). Se o FilterCart Original for fornecido com um filtro HEPA, este deve ser trocado ao mesmo tempo que o cartucho do filtro principal é trocado.



### **ADVERTÊNCIA! Risco de ferimentos pessoais**

Quando for trocar o filtro HEPA, use o equipamento de segurança pessoal necessário.

Troque o cartucho do filtro HEPA da seguinte forma:

- 1 Desconecte o cabo de conexão da rede elétrica.
- 2 Solte a tampa superior.
- 3 Retire o filtro HEPA usado e coloque-o no saco plástico que é fornecido com o filtro HEPA novo. Feche o saco plástico com a banda fornecida.
- 4 Trate o filtro HEPA usado de acordo com as regulamentações correspondentes às substâncias coletadas.
- 5 Verifique se o novo filtro HEPA, ponto A não está danificado.



### **NOTA!**

A superfície do filtro não deve ser tocada.

- 6 Verifique se a seta UP, ponto B, está apontada para cima. Manuseie o filtro HEPA com muito cuidado e coloque-o no FilterCart Original. Certifique-se de que o filtro está montado na posição correta e que o vedante está para baixo. Verifique se o selo não está danificado.
- 7 Reinstale a tampa superior. Aperte-a bem.

## 7 Peças sobressalentes



### **CUIDADO! Risco de danos no equipamento**

Use apenas peças de reposição e acessórios originais da Nederman.

Entre em contato com o distribuidor autorizado mais próximo ou com a Nederman para receber informações sobre serviço técnico ou se precisar de ajuda com peças de reposição. Acesse também o site [www.nederman.com](http://www.nederman.com).

### 7.1 Encomenda de peças sobressalentes

Quando encomendar peças sobressalentes indique sempre o seguinte:

- Número de peça e de controlo (consulte a placa de identificação do produto).

- Número detalhado e designação da peça de reposição (consulte o site [www.nederman.com/en/service/spare-part-search](http://www.nederman.com/en/service/spare-part-search)).
- Quantidade de peças necessárias.

## 8 Reciclagem

O produto foi concebido de modo a ser possível reciclar os materiais dos componentes. Os diferentes tipos de materiais têm de ser manuseados de acordo com regulamentos locais relevantes. Contacte o distribuidor ou a Nederman, caso surjam quaisquer questões sobre a eliminação do produto no final da sua vida útil.

## Содержание

рисунки .....	8
1 Предисловие .....	63
2 Безопасность .....	63
2.1 Классификация важной информации .....	63
2.2 Общие правила техники безопасности .....	63
3 Описание .....	63
3.1 Размеры .....	63
3.2 Технические данные .....	64
4 Монтаж .....	65
4.1 Установка вытяжного колпака дымоудаления .....	65
4.2 Схема электрических соединений .....	65
5 Руководство к применению .....	65
6 Техобслуживание .....	65
6.1 Замена фильтрующего элемента .....	65
6.2 Замена фильтра НЕРА (дополнительная принадлежность) .....	66
7 Запчасти .....	66
7.1 Заказ запасных частей .....	66
8 Переработка .....	66

## 1 Предисловие

Спасибо за использование продукции Nederman!

Nederman Group - ведущий мировой поставщик и разработчик продуктов и решений для сектора экологических технологий. Наши инновационные продукты будут фильтровать, очищать и перерабатывать в самых сложных условиях. Продукты и решения Nederman помогут вам повысить производительность, снизить затраты, а также снизить воздействие промышленных процессов на окружающую среду.

До установки, эксплуатации и обслуживания этого изделия внимательно прочтите данное руководство. В случае утери руководства по эксплуатации незамедлительно приобретите новое. Компания Nederman оставляет за собой право вносить изменения и улучшать свою продукцию и прилагаемую к ней документацию без предварительного уведомления.

Конструкция данного оборудования отвечает требованиям соответствующих директив ЕС. Все работы по установке, ремонту и обслуживанию оборудования должны выполняться квалифицированным персоналом с использованием оригинальных запчастей и принадлежностей Nederman. Свяжитесь с ближайшим уполномоченным дистрибьютором или представителями компании Nederman для получения технической поддержки и приобретения запасных частей. При наличии повреждений или недостатке комплектующих немедленно уведомите об этом перевозчика и местного представителя компании Nederman.

## 2 Безопасность

### 2.1 Классификация важной информации

Данный документ содержит важную информацию, представленную в виде предупреждений, предостережений или примечаний. См. следующие примеры.



#### **ПРЕДУПРЕЖДЕНИЕ! Риск получения травмы**

Предупреждения указывают на возможные угрозы здоровью и безопасности персонала, а также на способы их предотвращения.



#### **ВНИМАНИЕ! Риск повреждения оборудования**

Предостережения указывают на возможные опасности для изделия, но не для персонала, а также на способы их предотвращения.



#### **НОТА!**

Примечания содержат другую важную для персонала информацию.

### 2.2 Общие правила техники безопасности



#### **ПРЕДУПРЕЖДЕНИЕ! Риск получения травмы**

- Запрещается использовать продукт во взрывоопасной среде или там, где имеется риск взрывоопасных концентраций пыли или газов.
- Если продукт использовался для удаления пыли, запрещается его использование для сварочного дыма или шлифовальной пыли.
- Убедитесь, что в рукав не всасываются искры или иные предметы, могущие стать причиной пожара. При использовании во время сварочных работ, при которых возможно большое количество искр, в колпаке необходимо установить искрозащиту для уменьшения риска пожара (дополнительное оборудование) (также см. [количество 8](#)).
- Нельзя использовать продукт для удаления токсичных веществ (за исключением сварочного дыма).
- Не допускается использование продукта без фильтрующего элемента и корпуса.

RU

## 3 Описание

FilterCart Original предназначен для применения только внутри помещения, и используется для вытяжки и фильтрации пыли или сварочного дыма. Устройство не предназначено для удаления жидкостей.

### 3.1 Размеры

См. [количество 1](#).

- 1 Горизонтальный поворотный рычаг.
- 2 Пуск/стоп Сброс защиты от перегрузки.
- 3 Высота в зависимости от руки.

## 3.2 Технические данные

FilterCart Original	
Производительность	750-1050 m <sup>3</sup> /h (430-620 cfm)
Эффективность фильтрации, основной фильтр	> 99 % средне взвешенная эффективность фильтрации *
Эффективность фильтрации, HEPA фильтр	> 99.95 % H13 *
Площадь фильтра, основной фильтр	30 m <sup>2</sup> (323 ft <sup>2</sup> )
Площадь фильтра, HEPA фильтр	7.5 m <sup>2</sup> (81 ft <sup>2</sup> )
Мощность двигателя	0.75 kW (1 hp)
Напряжение **	110/120/2390/240
Фаза	1 ~
Частота**	50/60 Hz
Трансформатор	24 V вторичное
Прожектор**	LED 24 V, 5W/6VA
Сигнал тревоги	акустический, 2.9 кГц
Рукав вытяжной, радиус действия	Максимальное 2 m (6 ft 7 in) или 3 m (9 ft 10 in)
Рукав вытяжной, поворотный	Примерно 240°
Вес:	<ul style="list-style-type: none"> <li>• 71 kg (156 lb) с 2 м рычагом</li> <li>• 73 kg (161 lb) с 3 м рычагом</li> </ul>
Температура, макс. температура окружающего воздуха	40 °C (104 °F)
Температура, макс. температура воздушного потока	60 °C (140 °F)
Уровень шума	73 dB(A) ISO 11203
Переработка материалов	90 вес-% без фильтрующего элемента

\* Более подробные данные см. В информации о патроне фильтра.

\*\* В зависимости от модели.



## 4 Монтаж

### 4.1 Установка вытяжного колпака дымоудаления

Вытяжной поворотный рукав уже установлен. Насадка должна быть установлена в соответствии с [количеством 3](#), поз. А–D.

- A Установите насадку на поворотный рычаг, и закрепите вместе.
- B Отрегулируйте правильное натяжение поворотного рычага.
- C Убедитесь, что у поворотного рычага правильное натяжение, и он легко устанавливается в положение.
- D Соедините синий шланг с насадкой и закрепите его с помощью затягивающего кольца.

### 4.2 Схема электрических соединений

Подробную информацию об электросистеме см. в схеме проводки, [количеством 2](#).

- E1: 24 V, 5W/6VA
- T1: Трансформатор
- F1: Пуск/стоп защиты от перегрузки
- M1: 0,75 кВт
- F2: 1 АТ, 5 x 20 мм.

## 5 Руководство к применению

Принцип эксплуатации продукта отображен на [количеством 4](#) и в следующих списках:

- 1 Рычаг для регулировки заслонки.
  - 2 Переключатели для подсветки.
- Колпак вытяжного рукава должен устанавливаться как можно ближе к источнику загрязнения, см. поз. А.
  - FilterCart Original следует перемещать, толкая сзади, в соответствии с поз. А, колеса должны быть разблокированы.
  - Вытяжной рычаг устанавливается в положение, когда колеса заблокированы в соответствии с пунктом В.

## 6 Техобслуживание

Установка, ремонт и техобслуживание осуществляется только квалифицированным персоналом с использованием оригинальных запчастей. Для получения консультаций по техническому обслуживанию оборудования или для заказа запасных частей обращайтесь к ближайшему уполномоченному дистрибьютору или в компанию AB Ph. Nederman & Co. См. также [www.nederman.com](http://www.nederman.com).



#### ПРЕДУПРЕЖДЕНИЕ! Риск получения травмы

- Перед началом техобслуживания отсоедините кабель питания.
- Используйте необходимые средства индивидуальной защиты.

См. [количество 7](#). Техобслуживание рекомендуется проводить как минимум раз в год. Выполняйте следующее:

- При необходимости замените фильтрующий элемент (и дополнительный НЕРА-фильтр), см. [Раздел 6.1 Замена фильтрующего элемента](#).
- Проверьте максимальный расход воздуха в FilterCart Original.
- Убедитесь, что шланг отвода газов не поврежден. При необходимости замените шланг.
- Убедитесь, что шланг для впуска вентилятора не поврежден. При необходимости замените шланг.
- Убедитесь в отсутствии предметов в защитной сетке на впуске вентилятора.
- При необходимости, отрегулируйте звенья отвода газов.
- При необходимости, затяните профильные болты рычага, смотрите символы \* на [количество 7](#).
- Убедитесь, что сетевой кабель и кабель мотора вентилятора не изношены и не повреждены.
- Убедитесь, что эксцентриковые замки удерживают корпус фильтра надлежащим образом. При необходимости отрегулируйте эксцентриковые замки, см. [Раздел 6.1 Замена фильтрующего элемента](#).

### 6.1 Замена фильтрующего элемента

См. [количество 5](#). Фильтрующий элемент (картридж) одноразовый, и после эксплуатации выбрасывается. Срок службы фильтрующего элемента существенно различается в зависимости от специфики эксплуатации FilterCart Original, количества и типа улавливаемых загрязняющих веществ.

Регулярно проверяйте силу вытяжки у насадки, и в случае слабой тяги заменяйте фильтрующий элемент. Перед тем как приступить к замене фильтрующего элемента, проверьте, что шланги вытяжного рукава и впуска вентилятора не повреждены.



#### ПРЕДУПРЕЖДЕНИЕ! Риск получения травмы

При замене фильтрующих элементов используйте необходимые средства персональной защиты.

Замена фильтрующего элемента выполняется следующим образом:

- 1 Отсоедините кабель питания.
- 2 Откройте эксцентриковые замки и снимите корпус фильтра.
- 3 Наденьте пластиковый мешок, поставляемый вместе с новым фильтрующим элементом, на использованный картридж. Заверните пластиковый мешок под элементом и закройте включенной в комплект лентой-стяжкой.
- 4 Обращение с отработавшим фильтрующим элементом регулируется соответствующими нормами для собранных веществ.
- 5 Протрите контактные поверхности картриджа в FilterCart Original.

- 6 Убедитесь, что новый картридж фильтра не поврежден. Также убедитесь, что уплотнение, установленное на нижней стороне картриджа, не повреждено. Затем установите его на FilterCart Original.
- 7 Снова установите корпус фильтра. Убедитесь, что эксцентриковые замки правильно удерживают корпус фильтра.
  - А: Усиление блокировки.
  - В: Уменьшение блокировки.

## 6.2 Замена фильтра НЕРА (дополнительная принадлежность)

См. [количество 6](#). Если в комплект поставки FilterCart Original входит НЕРА-фильтр, он подлежит замене вместе с основным фильтрующим элементом (картриджем).



### **ПРЕДУПРЕЖДЕНИЕ! Риск получения травмы**

При замене НЕРА фильтра используйте необходимые средства индивидуальной защиты.

Замена НЕРА-фильтра выполняется следующим образом:

- 1 Отсоедините кабель питания.
- 2 Открутите верхнюю крышку.
- 3 Извлеките отработавший НЕРА-фильтр и поместите его в пластиковый мешок, поставляемый с новым НЕРА-фильтром. Закройте пластиковый мешок включенной в комплект лентой-стяжкой.
- 4 Обращение с отработавшим фильтром НЕРА регулируется соответствующими нормами для собранных веществ.
- 5 Убедитесь, что новый НЕРА-фильтр, поз. А, не поврежден.



### **НОТА!**

Прикасаться к поверхности фильтра нельзя.

- 6 Убедитесь, что стрелка ВВЕРХ, поз. В, направлена вверх. Обращаясь с НЕРА-фильтром очень осторожно, вставьте его в FilterCart Original. Убедитесь, что фильтр установлен в правильном положении и уплотнение обращено виз. Убедитесь, что уплотнение не повреждено.
- 7 Снова установите верхнюю крышку. Прочно ее закрепите.

## 7 Запчасти



### **ВНИМАНИЕ! Риск повреждения оборудования**

Используются только оригинальные запчасти Nederman.

Для получения консультаций по техническому обслуживанию оборудования или для заказа запасных частей обращайтесь к ближайшему уполномоченному дистрибьютору или в компанию Nederman. См. также [www.nederman.com](http://www.nederman.com).

## 7.1 Заказ запасных частей

При заказе запасных частей всегда указывайте следующее:

- Номер детали и контрольный номер (см. паспортную табличку изделия).
- Точный номер и название запасной части (см. [www.nederman.com/en/service/spare-part-search](http://www.nederman.com/en/service/spare-part-search)).
- Количество необходимых запчастей.

## 8 Переработка

Конструкция устройства предусматривает возможность переработки составляющих материалов. Материалы должны утилизироваться в соответствии с местными законодательными нормами. В случае возникновения вопросов по утилизации отслужившего оборудования обращайтесь к дистрибьютору или в компанию Nederman.

## Innehållsförteckning

Bilder .....	8
1 Förord .....	68
2 Säkerhet .....	68
2.1 Klassificering av viktig information .....	68
2.2 Allmänna säkerhetsinstruktioner .....	68
3 Beskrivning .....	68
3.1 Mått .....	68
3.2 Tekniska data .....	69
4 Installation .....	69
4.1 Montering av utsugsarmens huv .....	69
4.2 Kopplingsschema .....	70
5 Användningsinstruktioner .....	70
6 Underhåll .....	70
6.1 Byta filterpatronen .....	70
6.2 Byta HEPA-filtret (tillval) .....	70
7 Reservdelar .....	71
7.1 Beställa reservdelar .....	71
8 Återvinning .....	71

## 1 Förord

Tack för att du använder en Nederman-produkt!

Nederman Group är en världsledande leverantör och utvecklare av produkter och lösningar för miljötekniksektorn. Våra innovativa produkter filtrerar, renar och återvinner i de mest krävande miljöer. Nederman:s produkter och lösningar hjälper dig att öka din produktivitet, sänka kostnader och minska miljöpåverkan från industriella processer.

Läs all produktokumentation och produktens märkskylt noga före installation, drift och service av produkten. Ersätt dokumentationen omedelbart om den skulle försvinna. Nederman förbehåller sig rätten att ändra och förbättra sina produkter, inklusive dokumentation, utan föregående avisering.

Den här produkten uppfyller kraven i tillämpliga EU-direktiv. För att produktens ska fortsätta att uppfylla kraven måste alla installationer, underhållsarbete och reparationer utföras av behörig personal som endast använder originaldelar och tillbehör från Nederman. Kontakta närmaste auktoriserade återförsäljare eller Nederman för rådgivning vid teknisk service samt för att erhålla reservdelar. Kontakta omedelbart speditören och den lokala Nederman-representanten om delar saknas eller är skadade när produkten levereras.

SV

## 2 Säkerhet

### 2.1 Klassificering av viktig information

Det här dokumentet innehåller viktig information som presenteras antingen som en varning, ett försiktighetsmeddelande eller en kommentar.



#### **WARNING! Risk för personskada**

Varningar anger en möjlig fara för personalens hälsa och säkerhet, samt hur faran kan undvikas.



#### **VARSAMHET! Risk för skada på utrustningen**

"Försiktigt" betecknar en potentiell risk för produkten, men innebär inte fara för personal, och anger hur risken kan förhindras.



#### **NOTERA!**

Anmärkningar innehåller annan information som är viktig för medarbetarna.

## 2.2 Allmänna säkerhetsinstruktioner



#### **WARNING! Risk för personskada**

- Produkten får inte användas i miljöer där explosionsrisk föreligger eller för stoft eller gaser i explosiva koncentrationer.
- Om produkten har använts för uppsugning av stoft får den inte användas för svetsrök eller slipdamm.
- Se till att inga gnistor eller andra föremål som kan orsaka brand sugas in i armen. För svetsning som ger upphov till en stor mängd gnistor måste ett gnistskydd (tillbehör) monteras i huvan för att minska brandrisken (se [Figur 8](#)).
- Produkten får inte användas för utsugning av giftiga ämnen (förutom svetsrök).
- Produkten får inte användas utan filterpatron och hölje.

## 3 Beskrivning

FilterCart Original skall endast användas för inomhusbruk och är utformat för utsugning och filtrering av damm eller svetsrök. Det får inte användas för utsugning av vätska.

### 3.1 Mått

Se [Figur 1](#).

- 1 Horisontell svängbar arm.
- 2 Start/stopp för återställning av överspänningskydd.
- 3 Höjd, beroende på arm.

### 3.2 Tekniska data

FilterCart Original	
Kapacitet	750-1050 m <sup>3</sup> /h (430-620 cfm)
Avskiljningsgrad, huvudfilter	> 99 % medelviktsfiltreringseffektivitet*
Avskiljningsgrad, HEPA-filter	> 99.95 % H13*
Filteryta, huvudfilter	30 m <sup>2</sup> (323 ft <sup>2</sup> )
Filteryta, HEPA-filter	7.5 m <sup>2</sup> (81 ft <sup>2</sup> )
Motoreffekt	0.75 kW (1 hp)
Spänning**	110/120/2390/240
Fas	1 ~
Frekvens**	50/60 Hz
Transformator	24 V sekundär
Strålkastare**	LED 24 V, 5W/6VA
Larmsignal	ljuddämpande, 2.9 kHz
Utsugsarm, aktionsradie	Max. 2 m (6 ft 7 in) eller 3 m (9 ft 10 in)
Horisontell svängbar arm	Ca. 240°
Vikt:	<ul style="list-style-type: none"> <li>• 71 kg (156 lb) med 2 m arm</li> <li>• 73 kg (161 lb) med 3 m arm</li> </ul>
Temperatur, max. omgivningstemp.	40 °C (104 °F)
Temperatur, max. luftflödestemp.	60 °C (140 °F)
Ljudnivå	73 dB(A) ISO 11203
Materialåtervinning	90 viktprocent utan filterpatron

\* Mer information finns i filterpatroninformationen.

\*\* Beroende på modell.

## 4 Installation

### 4.1 Montering av utsugsarmens huv

Armen för rökutsugning är redan monterad. Huvuven måste monteras enligt [Figur 3](#), punkt A-D.

- För in huvuven i svängarmen och montera ihop dem.
- Justera svängarmens spänning.
- Kontrollera att svängarmen är korrekt åtdragen och lätt kan lägesjusteras.
- Fäst den blå slangen i huvuven och drag åt den med spännringen.

## 4.2 Kopplingsschema

Se kopplingsschemat, [Figur 2](#), för detaljer om det elektriska systemet.

- E1: 24 V, 5W/6VA
- F1: Start/stopp för överspänningsskydd.
- F2: 1 AT, 5x20 mm.
- T1: Transformator
- M1: 0,75 kW

## 5 Användningsinstruktioner

Enhetens användning visas i [Figur 4](#) och i listan nedan:

- 1 Reglage för justering av spjället.
  - 2 Strömbrytare för lampa.
- Utsugsarmens huva skall placeras så nära föroreningskällan som möjligt, se punkt A.
  - FilterCart Original flyttas bakifrån med olåsta hjul. Se artikel A.
  - Utsugsarmen riktas in med hjulen låsta enligt artikel B.

## 6 Underhåll

Installation, reparationer och underhåll måste utföras av en fackman och endast originalreservdelar får användas. Kontakta närmaste auktoriserade återförsäljare eller AB Ph. Nederman & Co. för information om teknisk service eller om du behöver beställa reservdelar. Se även [www.nederman.com](http://www.nederman.com).



### WARNING! Risk för personskada

- Drag ur nätanslutningskabeln innan du påbörjar några underhållsarbeten.
- Använd nödvändig personlig skyddsutrustning.

Se [Figur 7](#). Underhåll rekommenderas minst en gång om året. Gör så här:

- Byt vid behov filterpatron och HEPA-filtrer (tillval), se [Avsnitt 6.1 Byta filterpatronen](#).
- Kontrollera FilterCart Original luftflödeskapacitet.
- Kontrollera att slangen till rökutsugningsenheten inte är skadad. Byt vid behov slang.
- Kontrollera att slangen till fläktinloppet inte är skadad. Byt vid behov slang.
- Kontrollera att det inte har fastnat några föremål på skydds nätet framför fläktinloppet.
- Justera vid behov kopplingarna till rökutsugningsenheten.
- Drag vid behov åt armens profilskruvar. Se \*-symbolerna i [Figur 7](#).
- Kontrollera att nätanslutningskabeln och fläktmotorkabeln inte är slitna eller skadade.
- Kontrollera att excenterlåsen sluter filterhöljet ordentligt. Justera vid behov excenterlåsen. Se [Avsnitt 6.1 Byta filterpatronen](#).

## 6.1 Byta filterpatronen

Se [Figur 5](#). Filterpatronen är en engångsartikel som skall kasseras efter användning. Filterpatronens livslängd varierar beroende på hur FilterCart Original används och på vilken typ av föroreningar som samlas upp.

Kontrollera regelbundet enhetens utsugskapacitet i huvan och byt filterpatronen när utsugskapaciteten blir för dålig. Kontrollera alltid att slangarna till utsugsarmen och fläktinloppet inte har skadats innan du beslutar dig för att byta filterpatron.



### WARNING! Risk för personskada

Använd nödvändig personlig skyddsutrustning vid byte av filterpatroner.

Så byter du ut filterpatronen:

- 1 Drag ur nätanslutningskabeln.
- 2 Öppna excenterlåsen och tag bort filterhöljet.
- 3 Använd plastpåsen som levereras med den nya filterpatronen och träd den över den använda patronen. Vik in plastpåsen under patronen och stäng den med det medföljande bandet.
- 4 Hantera den använda filterpatronen i enlighet med tillämpliga förordningar för de uppsamlade ämnena.
- 5 Torka av filterpatronens kontaktytor i FilterCart Original.
- 6 Kontrollera att den nya filterpatronen inte är skadad. Kontrollera även att tätningen som har monterats på undersidan av patronen inte är skadad. Montera därefter patronen på FilterCart Original.
- 7 Montera tillbaka filterhöljet. Se till att excenterlåsen sluter filterhöljet ordentligt.
  - A: Öka låskraften.
  - B: Minska låskraften.

## 6.2 Byta HEPA-filtret (tillval)

Se [Figur 6](#). Om FilterCart Original är utrustad med ett HEPA-filtrer, ska denna bytas ut samtidigt som huvudfilterpatronen byts.



### WARNING! Risk för personskada

Använd nödvändig personlig skyddsutrustning vid byte av HEPA-filtret.

Så byter du ut HEPA-filterpatronen:

- 1 Drag ur nätanslutningskabeln.
- 2 Skruva loss locket.
- 3 Tag bort det använda HEPA-filtret och stoppa ned det i plastpåsen som levereras tillsammans med det nya HEPA-filtret. Förslut plastpåsen med det medföljande bandet.
- 4 Hantera det använda HEPA-filtret i enlighet med tillämpliga förordningar för de uppsamlade ämnena.

- Kontrollera att det nya HEPA-filtret, artikel A inte är skadat.

**NOTERA!**

Det är viktigt att man inte vidrör filterytan.

- Kontrollera att UP-pilen, artikel B, är vänd uppåt. Hantera HEPA-filtret mycket varsamt när du sätter i det i FilterCart Original. Kontrollera att det sitter rätt och att förseglingen är placerad nedåt. Kontrollera att förseglingen inte är skadad.
- Skruva tillbaka locket. Drag åt det ordentligt.

## 7 Reservdelar

**VARSAMHET! Risk för skada på utrustningen**

Använd endast Nederman originalreservdelar och tillbehör.

Kontakta närmaste auktoriserade återförsäljare eller Nederman för information om teknisk service eller om du behöver beställa reservdelar. Se även [www.nederman.com](http://www.nederman.com).

### 7.1 Beställa reservdelar

Ange alltid följande information vid beställning av reservdelar:

- Komponent- och kontrollnummer (se produktens märkskylt).
- Reservdelens artikelnummer och namn (se [www.nederman.com/en/service/spare-part-search](http://www.nederman.com/en/service/spare-part-search)).
- Antal erforderliga reservdelar.

## 8 Återvinning

Produkten är designad så att komponentmaterialet kan återvinnas. De olika materialtyperna måste hanteras i enlighet med tillämpliga lokala bestämmelser. Kontakta leverantören eller Nederman om det skulle uppstå oklarheter kring produktens skrotning i slutet av dess livslängd.

## 目录

数据 .....	8
1 前言 .....	73
2 安全性 .....	73
2.1 重要信息分类 .....	73
2.2 一般安全说明 .....	73
3 说明 .....	73
3.1 尺寸 .....	73
3.2 技术数据 .....	74
4 安装 .....	74
4.1 安装吸尘臂吸风罩 .....	74
4.2 接线图 .....	74
5 使用说明 .....	74
6 维护 .....	75
6.1 更换滤芯 .....	75
6.2 更换 HEPA 滤芯 ( 配件 ) .....	75
7 备件 .....	75
7.1 订购备件 .....	75
8 回收利用 .....	75



## 1 前言

感谢您使用Nederman产品！

Nederman集团是环境技术领域产品和解决方案的全球领先供应商和开发商。我们的创新产品将在最苛刻的环境中进行过滤，清洁和回收利用。Nederman的产品和解决方案将帮助您提高生产率，降低成本，并减少工业流程对环境的影响。

本手册旨在指导正确地安装、使用和维护本产品。在使用本产品或实施维护之前，请先认真阅读本手册。一旦手册丢失，请立即更换。

本产品符合相关 EC 指令的要求。为保持这一状态，所有安装、维修和维护工作均应由取得资格的人员完成，并且只能使用原装 Nederman 备件。请联系距您最近的授权经销商或 Nederman，寻求有关技术服务的建议和获取备件。如果受损或缺少部件，请立即通知运输公司和当地的 Nederman 代表。

## 2 安全性

### 2.1 重要信息分类

本文档所含的重要信息以警告、注意或提示的方式呈现。请参见以下示例：



**警告！人员伤害风险**

“警告”表示对人员的健康和安全构成潜在危险以及如何避免该危险。



**警告！设备损坏风险**

“警告”是指对产品而非操作人员的潜在危害，以及如何避免该危害。



**注意！**

“注意”包含其他需要相关人员予以重视的信息。

### 2.2 一般安全说明



**警告！人员伤害风险**

- 该产品不能用于有爆炸危险的环境中，不能用于处理达到爆炸浓度的气体。
- 如果该产品已被用于粉尘应用，不要使用它来处理焊接烟雾或研磨粉尘。
- 检查是否存在任何会导致火灾的火花或其他异物吸入吸尘臂内。对于产生大量火花的焊接应用，必须在吸风罩处安装火花防护装置（见附件），以降低火灾风险。看到 [数字 8](#)。
- 该产品不得用于提取有毒物质（焊接烟雾除外）。
- 无滤芯和外壳状态下不要使用该产品。

## 3 说明

FilterCart Original 按设计仅可用于室内，抽吸和过滤灰尘或焊接烟雾。切勿将它用于抽吸液体。

### 3.1 尺寸

参见 [数字 1](#) 章节。

- 1 水平旋转臂。
- 2 启动/停止重置过载保护器。
- 3 重量（取决于臂的长度）。

## 3.2 技术数据

FilterCart Original	
工作能力	750-1050 m <sup>3</sup> /h (430-620 cfm)
主滤芯过滤效率	> 99 % 平均重量过滤效率 *
HEPA 滤芯过滤效率	> 99.95 % H13 *
主滤芯过滤面积	30 m <sup>2</sup> (323 ft <sup>2</sup> )
HEPA 滤芯过滤面积	7.5 m <sup>2</sup> (81 ft <sup>2</sup> )
电机功率	0.75 kW (1 hp)
电压 **	110/120/2390/240
相数	1 ~
频率 **	50/60 Hz
变压器	次级 24 V
聚光灯**	LED 24 V, 5W/6VA
警报信号	声音, 2.9 kHz
吸尘臂, 作用半径	最大 2 m (6 ft 7 in) 或 3 m (9 ft 10 in)
吸尘臂, 旋转角度	约 240°
重量:	<ul style="list-style-type: none"> <li>• 71 kg (156 lb) 含 2 m 臂</li> <li>• 73 kg (161 lb) 含 3 m 臂</li> </ul>
温度, 最高环境温度	40 °C (104 °F)
温度, 最高空气温度	60 °C (140 °F)
噪音水平	73 dB(A) ISO 11203
材料回收	重量的 90 %, 不含滤芯

\* 有关更多特定数据, 请参见滤筒信息。

\*\* 取决于型号。

## 4 安装

## 4.1 安装吸尘臂吸风罩

排烟臂已经安装。吸风罩必须按照[数字 3](#)中 A-D 项进行安装。

- 将吸风罩插入旋转臂并固定在一起。
- 调整旋转臂的张力到适当的值。
- 确保旋转臂具有正确的张力, 并且易于定位。
- 将蓝色软管固定在引擎盖中, 并使用紧固环将其固定。

## 4.2 接线图

有关电气细节, 请参见接线图, [数字 2](#)。

- E1: 24 V, 5W/6VA
- F1: 启动/停止过载保护装置
- F2: 1 AT, 5 x 20 mm
- T1: 变压器
- M1: 0.75 kW

## 5 使用说明

[数字 4](#) 和以下列表展示了如何使用该装置:

- 1 调节风门的杆。
  - 2 切换为聚光灯。
- 吸尘臂的吸风罩应尽可能靠近污染源，参见 A 项。
  - FilterCart Original 应依照 A 项，在轮子解锁后，从后方移动。
  - 吸尘臂应依照 B 项，在锁好轮子后进行定位。

## 6 维护

安装、维修和维护工作必须由具备相关资质的人员仅使用原装备件完成。如需获取技术服务方面的意见，或者如果您需要购买备件，请联系您最近的授权分销商或 AB Ph. Nederman & Co. 公司。也可访问 [www.nederman.com](http://www.nederman.com)。



**警告！人员伤害风险**

- 在开始任何维护工作之前，断开主电源电缆。
- 使用必要的个人安全设备。

参见 [数字 7](#)。建议每年至少进行一次维护。请操作如下：

- 如有必要，请更换滤芯（和选配的 HEPA 过滤器），参见 [部分 6.1 更换滤芯](#)。
- 检查 FilterCart Original 的风量情况。
- 将新滤芯的塑料袋盖上用过的滤芯。滤芯下方也要包好塑料袋。
- 检查风扇入口的软管是否损坏。如有必要，更换软管。
- 确认风机进气口的防护网上没有缠住任何东西。
- 如果必要，调整吸尘臂联接。
- 如有必要，拧紧机械臂轮廓螺栓，请参见中的\*符号 [数字 7](#)。
- 确认主连接电缆和风机机电缆没有磨损或受损。
- 确认偏心锁适当锁紧过滤外壳。必要时调整偏心锁，参见 [部分 6.1 更换滤芯](#)。

### 6.1 更换滤芯

参见 [数字 5](#)。滤芯是一次性的，使用后应立即丢弃。滤芯的寿命随 FilterCart Original 的使用方式以及所收集污染物的数量和类型的不同而有很大差异。

排烟罩的抽气能力太差时，请定期监控设备的抽气能力，并更换滤芯。在决定更换滤芯之前，请务必检查抽气臂和风扇入口的软管是否完好无损。



**警告！人员伤害风险**

更换滤芯时，应使用必要的个人安全设备。

请按下列方式更换滤芯：

- 1 断开主连接电缆。
- 2 松开偏心锁并拆下滤芯外壳。
- 3 将新滤芯的塑料袋盖上用过的滤芯。在滤芯下方包好塑料袋，用提供的带子封好。
- 4 根据收集到的物质的相关规定处理用过的滤筒。
- 5 擦拭 FilterCart Original 中的滤芯接触面。

- 6 确认新滤芯没有受损。还要检查滤芯底部安装的密封条是否完好无损。然后将它安装到 FilterCart Original。
- 7 重新装上过滤外壳。确保偏心锁恰当地锁紧过滤外壳。
  - 调整旋转臂的张力到适当的值。
  - 确保旋转臂具有适当的张力并可轻松定位。

### 6.2 更换 HEPA 滤芯（配件）

参见 [数字 6](#)。如果 FilterCart Original 配有 HEPA 滤芯，则应在更换主滤芯时同时更换该滤芯。



**警告！人员伤害风险**

更换 HEPA 滤芯时，应使用必要的个人安全设备。

请按以下方法更换 HEPA 滤芯：

- 1 断开主连接电缆。
- 2 旋开顶盖螺丝。
- 3 拆下用过的 HEPA 滤芯并将它放入新 HEPA 滤芯的塑料袋中。用提供的带子系紧塑料袋。
- 4 依照相关废品处理法规处理用过的 HEPA 滤芯。
- 5 检查新的 HEPA 滤芯，确认 A 项没有受损。



**注意！**

切勿触摸滤芯表面。

- 6 确认向上箭头（B 项）指向上方。小心取放 HEPA 滤芯并将它安装到 FilterCart Original。确保将它固定到正确位置，且密封条向下。确认密封条没有受损。
- 7 重新装好顶盖。固定好。

## 7 备件



**警告！设备损坏风险**

只能使用 Nederman 原装备件。

如需有关技术服务的建议或者需要备件相关帮助，请联系距您最近的授权经销商或 Nederman。另请参见 [www.nederman.com](http://www.nederman.com)。

### 7.1 订购备件

订购备件时，请提供以下信息：

- 零部件及控件编号（见产品铭牌）。
- 备件的详细编号和名称（参见 [www.nederman.com/en/service/spare-part-search](http://www.nederman.com/en/service/spare-part-search)）。
- 所需备件的数量。

## 8 回收利用

本产品的设计使组件材料可以回收利用。不同类型的材料请按当地相关规定处理。有关产品达到使用寿命进行报废时如有不确定，请联系经销商或 Nederman。

***Nederman***

[www.nederman.com](http://www.nederman.com)