

Chem Master SGT600 Series

6.0 Purity Two Stage Stainless Steel Diaphragm Cylinder Regulator



The Chem Master SGT600 two stage diaphragm cylinder regulators are designed for primary pressure gas control of corrosive, toxic and high purity gases up to grade 6.0 purity (99.9999%), on applications where constant delivery pressure is required as cylinder pressure decreases.

- **SGT601** Series | Two Stage Diaphragm Cylinder Regulator, FFKM Pressure Relief Valve, FKM Seal
- **SGT602** Series | Two Stage Diaphragm Cylinder Regulator, FFKM Pressure Relief Valve, EPDM Seal

★ FEATURES

- Five port configuration
- Front panel mounting capabilities
- Encapsulated seat design
- Low wetted surface area
- Full range of inlet and outlet fittings
- Side entry

🔧 MATERIAL

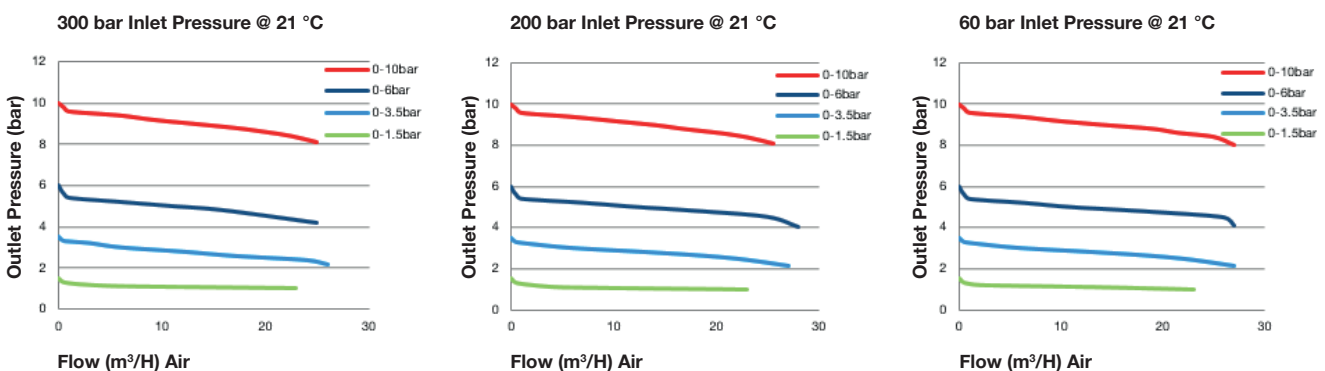
- **Body** 316L Stainless Steel
- **Bonnet** Nickel Plated Brass Barstock
- **Diaphragm** 316L Stainless Steel
- **Seal** FKM / EPDM
- **Valve Seat** PCTFE
- **Filter** 10 Micron 316L Stainless Steel

* Subject to cylinder connection – ** Cylinder Connection not included
*** NACE and 3.1 material certificates available on request, please contact the sales office for further information.

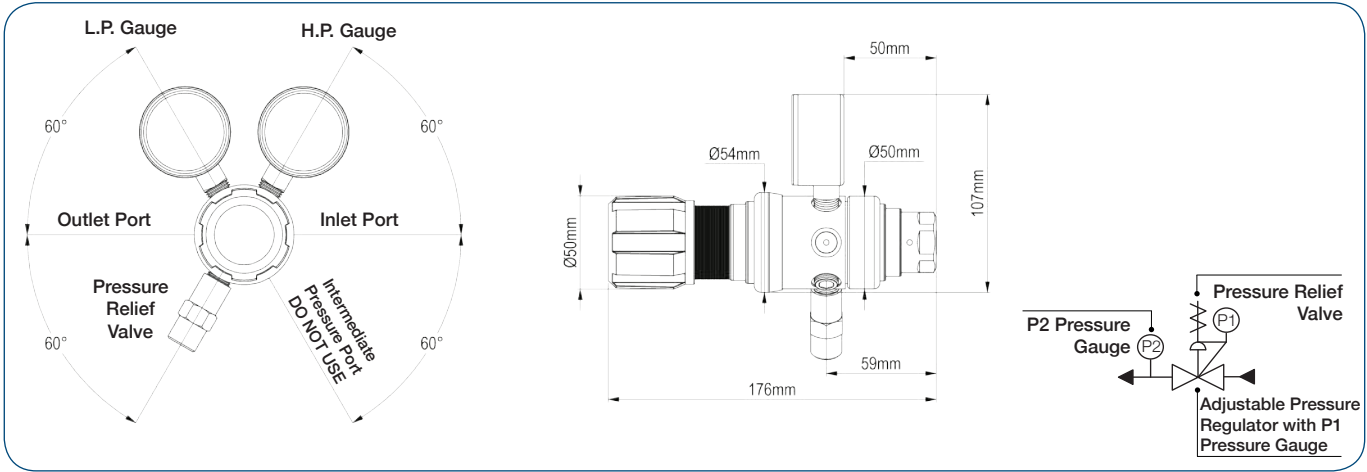
👍 SPECIFICATION

- **Maximum Inlet Pressure** 60 bar (870 PSI)
300 bar (4350 PSI) *
- **Delivery Pressure Range** 1.5 bar (22 PSI)
3.5 bar (50 PSI)
6 bar (90 PSI)
10 bar (150 PSI)
- **Gauges** 50mm (2") Diameter
- **Ports** 1/4" NPT Female
- **Temperature Range** -20° C to +60° C (-4° F to +140° F)
- **Helium Leak Integrity** 1×10^{-9} mbar l/s
- **Weight** 1.7 kg (3.8 lb) **

✓ FLOW PERFORMANCE



DRAWINGS



MODEL NO. SELECTOR GUIDE

Example for a Model No. for SGT600 Series

Product Type	Inlet Pressure Bar [Psig]	Outlet Pressure Bar [Psig]	Inlet Pressure Gauge	Outlet Pressure Gauge	Inlet Connection	Outlet Connection	Options
SGT601	02 60 [870]	02 0 to 1.5 [22]	00 No Gauge Fitted	00 No Gauge Fitted	000 1/4 NPT Female	00 1/4 NPT Female	A No Options Selected
SGT602	04 300 [4350]	03 0 to 3.5 [50]	01 bar/PSI	01 bar/PSI	001 1/8 Stainless Steel Compression	01 1/8 Stainless Steel Compression	B Regulator Tee Purge FKM
		04 0 to 6 [90]	10 Plugged port	10 Plugged port	002 1/4 Stainless Steel Compression	02 1/4 Stainless Steel Compression	C Regulator Tee Purge EPDM
		05 0 to 10 [150]			003 6mm Stainless Steel Compression	03 6mm Stainless Steel Compression	D Regulator Deep Purge FKM
					004 1/4 NPT Male	04 1/4 NPT Male	E Regulator Deep Purge EPDM
					007 G3/8 BSP R/H Brass Male	09 Isolation Valve, 1/4 NPT Female, FKM Seal	F Bonnet Vent Capture Kit
					008 G3/8 BSP L/H Brass Male	10 Isolation Valve, 1/4 NPT Female, EPDM Seal	G Helium Test Certificate
					010 BS341 No.3	11 Isolation Valve, 1/8 Stainless Steel Compression, FKM Seal	H 3.1 Material Certificate***
					012 BS341 No.4	12 Isolation Valve, 1/8 Stainless Steel Compression, EPDM Seal	J NACE Certificate***
					019 BS341 No.14	13 Isolation Valve, 1/4 Stainless Steel Compression, FKM Seal	K Certificate of Conformity (CoC)
					030 DIN477 No.6	14 Isolation Valve, 1/4 Stainless Steel Compression, EPDM Seal	L Panel Mount Locking Nut Kit
					033 DIN477 No.9	15 Isolation Valve, 6 mm Stainless Steel Compression, FKM Seal	P Calibration/Pressure Test certificate
					034 DIN477 No.10	16 Isolation Valve, 6mm Stainless Steel Compression, EPDM Seal	X Special Instruction
					045 CGA320	17 Isolation Valve, 1/4 NPT Male, FKM Seal	
					052 CGA540	18 Isolation Valve, 1/4 NPT Male, EPDM Seal	
					053 CGA580		
					For our complete range of cylinder connections refer to 'Chem Master Cylinder Connections Data Sheet'		