



ENGINE DRIVEN WELDER TS 200 BS/EL P

The images are for reference

WELDING PROCESS



Shielded Metal Arc welding SMAW (STICK)



FEATURES

- Arc welding source in D.C. welding
- The steel stretcher provides protection for the entire machine
- A.C. generator, single-phase and three-phase
- Aux power also available while welding
- Ground fault interruptor
- Engine shut-down (oil alert)
- Meets EC directives

DEFINITIONS

SMAW: Coated electrode welding is an arc welding with protected metal.

GMAW: Welding is an arc process with metal under gas protection.

FCAW (FLUX CORED): The process with cored wires is very similar to MIG / MAG welding. Continuous wire is not full but consists in a metal strip that wraps a powders core (flow).

GTAW: Is a welding process that uses a tungsten electrode that cannot melt.



air cooled



petrol



manual recoil

ENGINE 3000 RPM

4 STROKE, OHV, NATURAL ASPIRATED

Model	HONDA - GX 390	KOHLER CH 440 COMMAND PRO
* Stand-By net power	8.2 kWm (11.1 hp)	/
* PRP net power	6.4 kWm (8.7 hp)	/
* COP net power	/	/
Cylinders / Displacement	1 / 389 cm ³ (0.39 lt.)	1 / 429 cm ³ (0.429 lt.)
Bore / Stroke	88 / 64 (mm)	89 / 69 (mm)
Compression ratio	8.2 : 1	8.3: 1
BMEP (Brake Mean Effective Pressure : LTP - PRP)	/	/
Speed governor type	Mechanical	Mechanical
FUEL CONSUMPTION		
110 % (Stand-by power)	3.5 lt./h	4.4 lt./h
100 % to PRP	3.2 lt./h	4.1 lt./h
75 % to PRP	2.4 lt./h	3.1 lt./h
50 % to PRP	1.6 lt./h	2.1 lt./h
COOLING SYSTEM		
Total system cap. - only engine	/	/
Fan air flow	/	/
LUBRICATION SYSTEM		
Total oil system capacity	/	/
Oil capacity in sump	1.1 lt.	1.3 lt.

Oil consumption at full load	/	/
EXHAUST SYSTEM		
Maximum exhaust gas flow	/	/
Max. exhaust gas temp.	/	/
Maximum back pressure	/	/
External diameter exhaust pipe	/	/
ELECTRICAL SYSTEM		
Starter motor power	/	/
Battery charging alternator cap.	/	/
Cold start	/	/
With cold start aid	/	/
AIR FILTER	Dry	Dry
Combustion air flow	/	/
HEAT REJECTED AT FULL LOAD		
To exhaust system	/	/
To water and oil	/	/
Radiated to room	/	/
To charge cooler	/	/

* Output powers according to ISO 3046-1



WELDING AND GENERATION

C.C. WELDING

COSTANT CURRENT

	HONDA ENGINE	KOHLER ENGINE
Welding current Max	170A / 20V - 150A / 26V (IEC Rating)	170A / 26,8V (IEC Rating)
Current range	20A / 20,8V - 170A / 20V 20A / 20,8V - 150A / 26V (IEC Rating)	20A / 20,8V - 170A / 26,8V
Type of regulation	continue	continue
Duty cycle (IEC Rating)	150A / 26V @ 60% 130A / 25,2V @ 100%	170A / 26,8V @ 35% 150A / 26V @ 60% 130A / 25,2V @ 100%
Open circuit voltage	65 Vcc	65 Vcc
Arc Force Regulation	No	No

GENERAL SPECIFICATIONS

	HONDA ENGINE	KOHLER ENGINE
Fuel tank capacity	6.1 l	7 l
Fuel consumption (welding 60%)	2,1 l/h	2,3 l/h
Running time (welding 60%)	3 h	3 h
IP protection degree	IP 23	IP 23
Acoustic pressure LpA	73 dB(A) @ 7 m	74 dB(A) @ 7 m

A.C. GENERATION

ASYNCHRONOUS THREE-PHASE, SELF-EXCITED, BRUSHLESS

Insulation class	H
------------------	---

GENERAZIONE AUSILIARIA

OUTPUT 1

Type of source	Three-phase
Frequency	50 Hz
Apparent Power (Active Power)	6 kVA (4.8 kW)
Cos φ	/
Voltage	400V
Current	8.7 A

OUTPUT 2

Type of source	Single-phase
Frequency	50 Hz
Apparent Power (Active Power)	4 kVA (3.2 kW)
Cos φ	/
Voltage	230V
Current	17.4 A

OUTPUT 3

Type of source	Single-phase
Frequency	50 Hz
Apparent Power (Active Power)	2 kVA (1.6 kW)
Cos φ	0.8
Voltage	110V (CTE)
Current	18.2 A

OUTPUT 4

Type of source	/
Frequency	/
Apparent Power (Active Power)	/
Cos φ	/
Voltage	/
Current	/

The use of the Auxiliary Generation is recommended for tools related to welding (wheels, electric hammers, lights, etc ...)



CONTROL PANEL

CONTROL PANEL (400V - 230V)

- Self-recoil starter
- ON-OFF engine switch
- Air command
- Continuous welding current adjustment knob
- Remote control switch
- Remote control socket
- Welding sockets (400A)
- Auxiliary voltage voltmeter
- Indicator for the presence of voltage at the sockets
- Motor starter output - 12V
- Differential switch
- Output sockets: 1x 400V 16A 3P+N+T CEE
1x 230V 16A 2P+E SCHUKO
- Output sockets: 1x 400V 32A 3P+N+T IP67 AUX. (HONDA)
1x 230V 15A 2P+E IP44 AUX. (HONDA)
- Thermal circuit breakers for 230V socket protection
- Earth terminal (PE)



CONTROL PANEL (230V - 110V)

- Self-recoil starter
- ON-OFF engine switch
- Air command
- Continuous welding current adjustment knob
- Remote control switch
- Remote control socket
- Welding sockets (400A)
- Auxiliary voltage voltmeter
- Motor starter output - 12V
- Switch differential-magnetic-thermal
- Magnetothermic switch for 110V 32A sockets
- Magnetothermal switch for 110V 16A sockets
- Output sockets: 1x 230V 16A 2P+T CEE
1x 110V 32A 2P+T CEE
1x 110V 16A 2P+T CEE
- Earth terminal (PE)

SIMULTANEOUS UTILIZATION FACTORS

WELDING CURRENT	≥ 130A	100A	80A	50A	0A
GENERATING POWER 400V	0 kVA	1 kVA	2 kVA	4 kVA	6 kVA
GENERATING POWER 230V	0 kVA	0,8 kVA	1 kVA	2 kVA	4 kVA

WEIGHT - DIMENSIONS ACCESSORIES



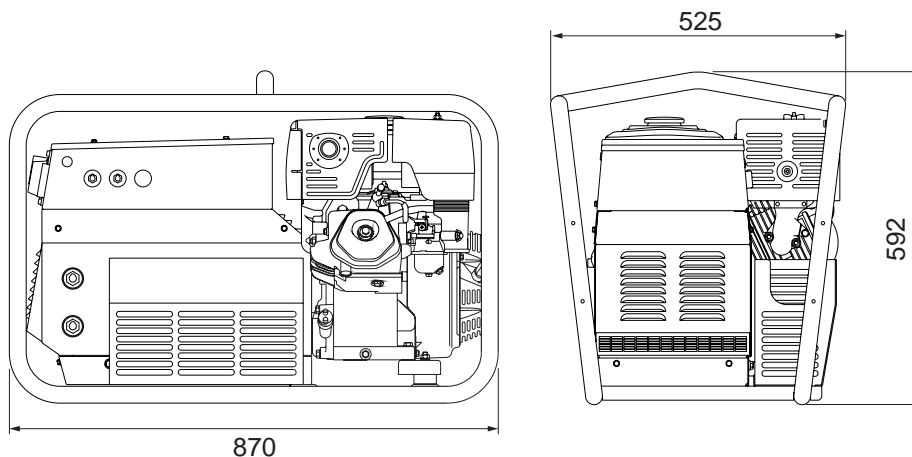
DRY WEIGHT:

- 106 Kg (HONDA)
- 108 Kg (KOHLER)

The welding machine pictured may include optional accessories.



DIMENSION PICTURE



OPTIONS ON REQUEST

- Exhaust extension (HONDA)
- Remote control: TC2 (cable 20m)
TC2/50 (cable 50m)
- Welding cables: K190 (10+8m, 35mm²)
K 200 (20+15m, 35mm²)
- Welding kit (mask, gloves, etc.)
- Manual trolley CTM 200
- Earthing kit



VERSIONS AVAILABLE

HONDA	
COFN7010	STANDARD 400V/230V
COFN7050	STANDARD 230V/110V
COFN7040	STANDARD 400V/230V AUS
KOHLER	
Cofs9010	STANDARD 400V/230V
Cofs9050	STANDARD 230V/110V

GENERAL INFORMATION

COMPLIANCE GENERATING SETS WITH EC DIRECTIVES AND STANDARDS

- 2006/42 / EC (Machinery Directive)
- 2014/35 / UE (Low Voltage Directive)
- 2014/30 / UE (Electromagnetic Compatibility Directive)
- 2000/14 / EC (Acoustic Emission Directive for machines intended to operate outdoors)
- IEC-EN 60974-1 Arc welding equipment - Welding power sources
- IEC-EN 60974-10 Arc welding equipment - Electromagnetic compatibility (EMC) requirements



ISO 9001:2015 - Cert. 0192

WARRANTY

All devices are covered by the manufacturer's warranty.

Non-contractual document. Specification subject to change without notice.

© MOSA - Viale Europa, 59 - 20090 Cusago (Milano) - Italy - phone +39-0290352.1 - fax + 39-0290390466 E-mail: info@mosa.it Web site: www.mosa.it

